

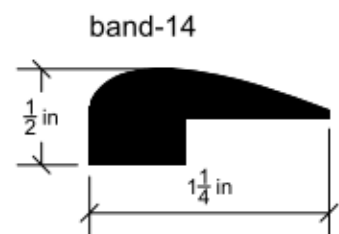
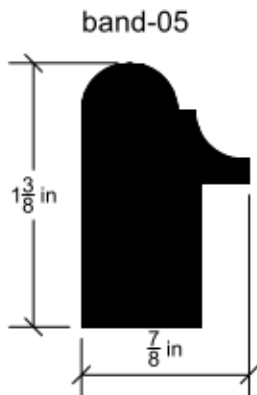
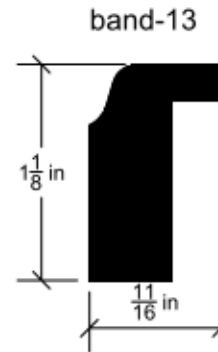
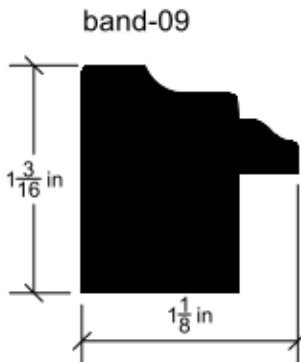
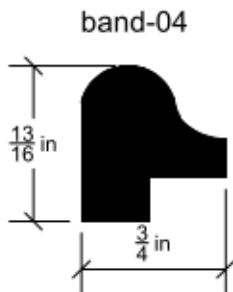
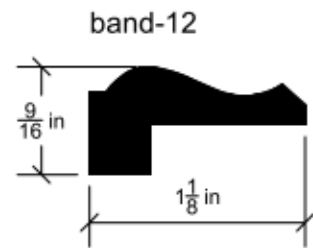
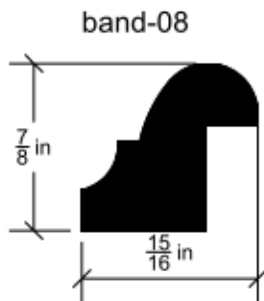
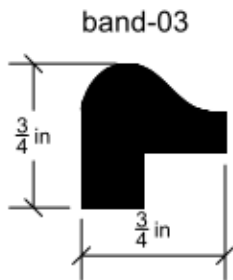
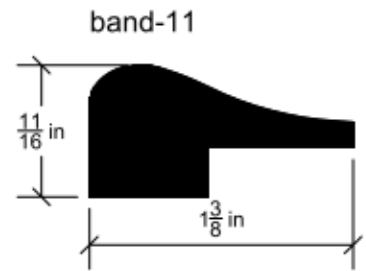
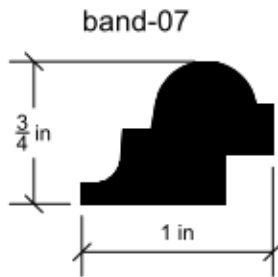
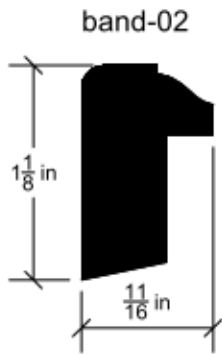
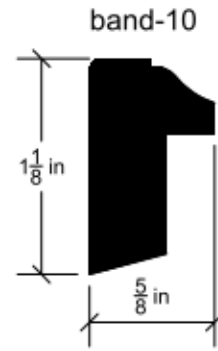
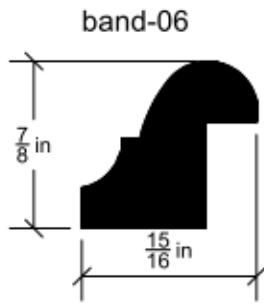
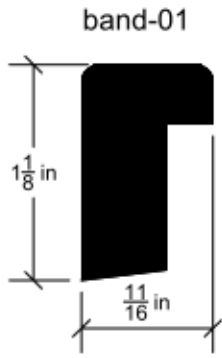


# Trim and Mouldings

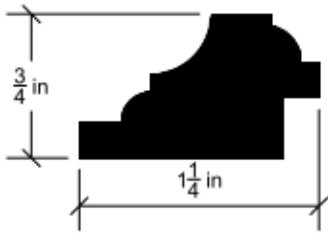
9119 State Route 408 West

Fancy Farm, Kentucky

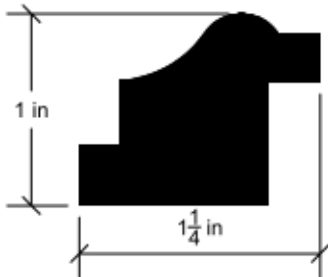
· 42039 ·



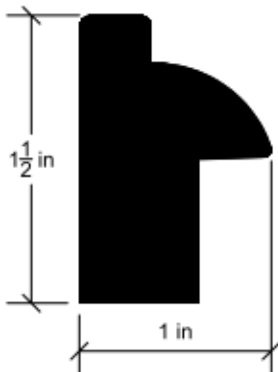
band-15



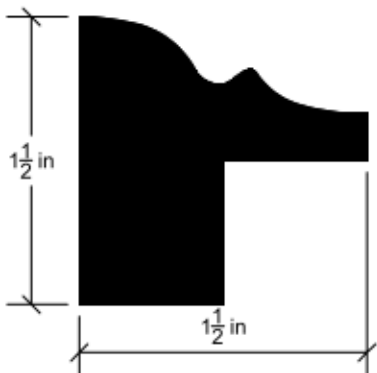
band-16



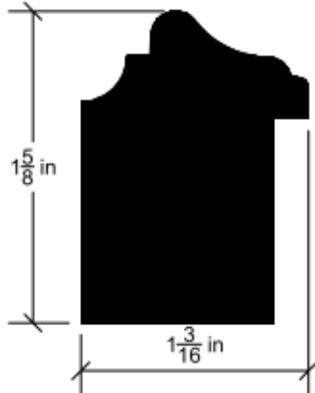
band-17



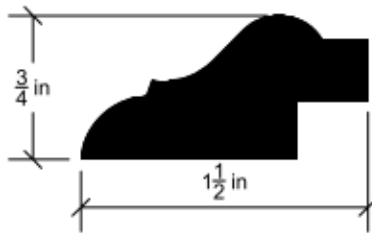
band-18



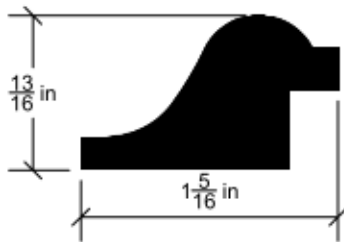
band-19



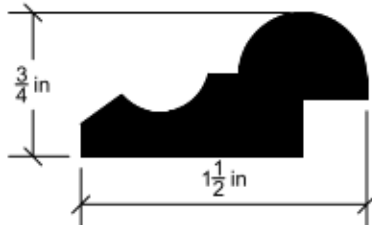
band-20



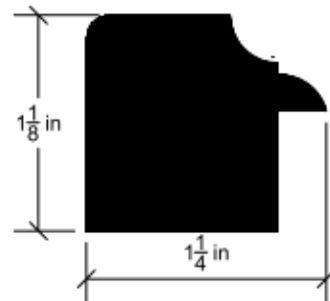
band-21



band-22

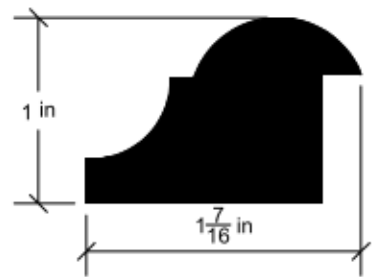


band-23

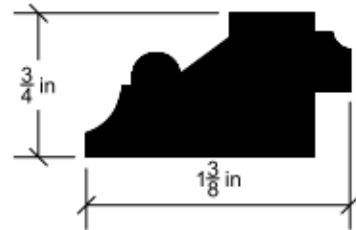


www.mirror-reflections.com

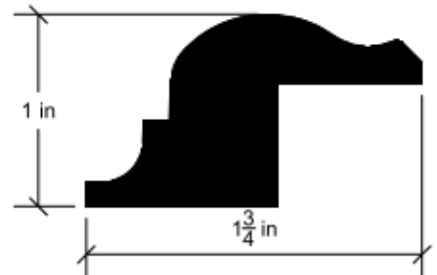
band-24

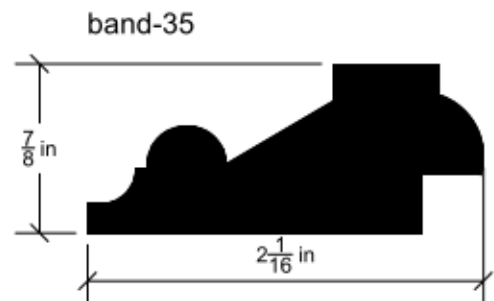
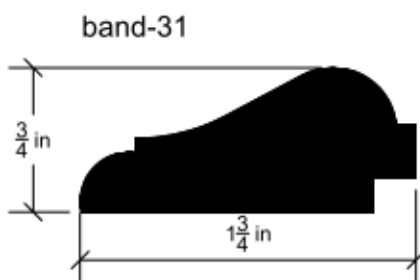
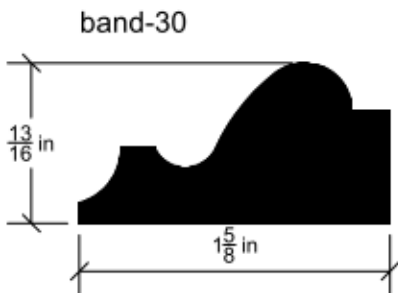
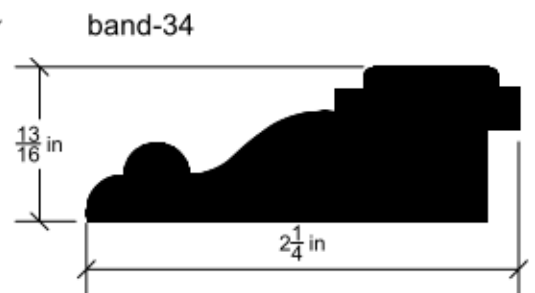
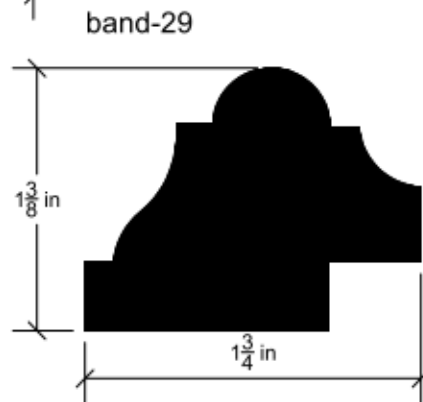
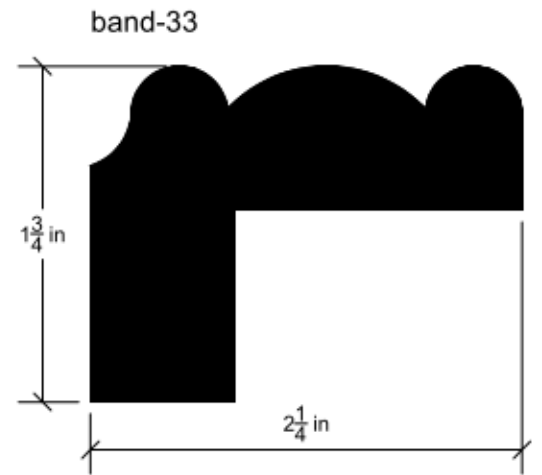
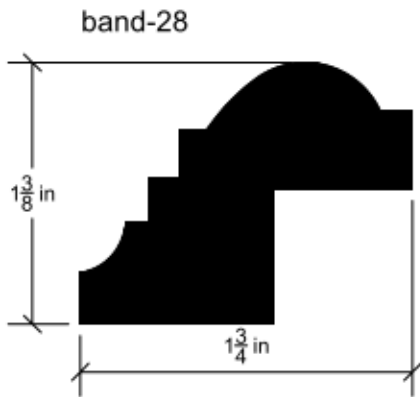
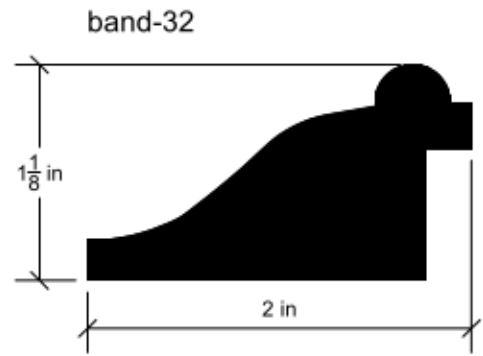
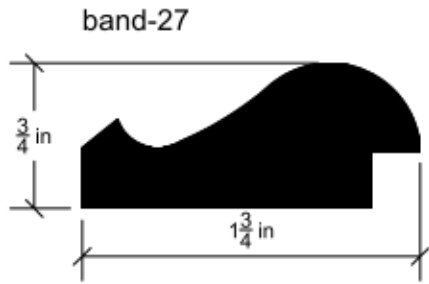


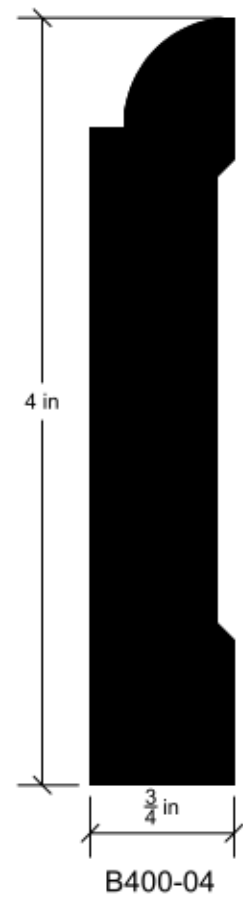
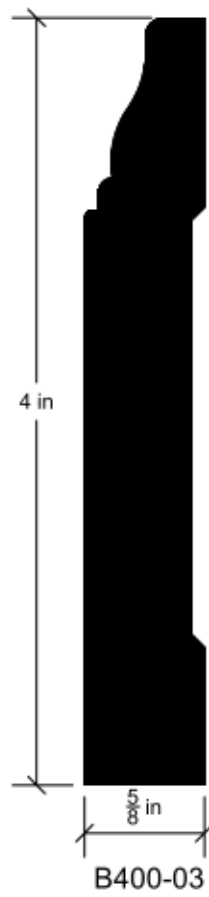
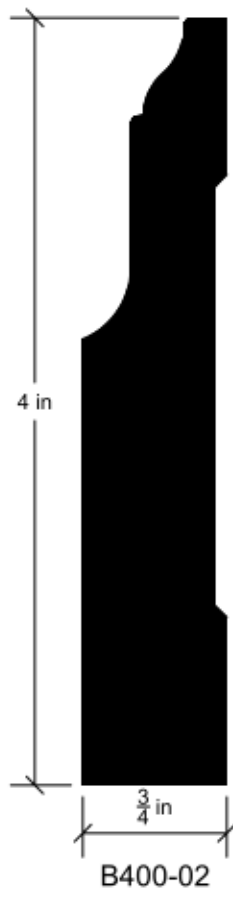
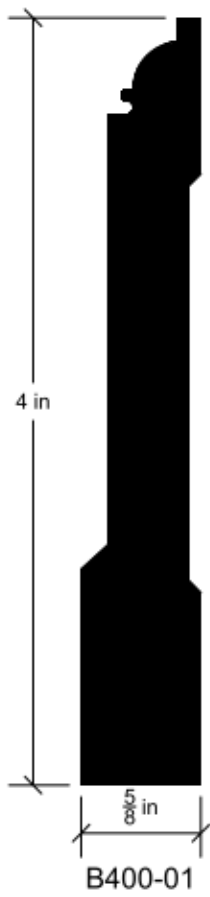
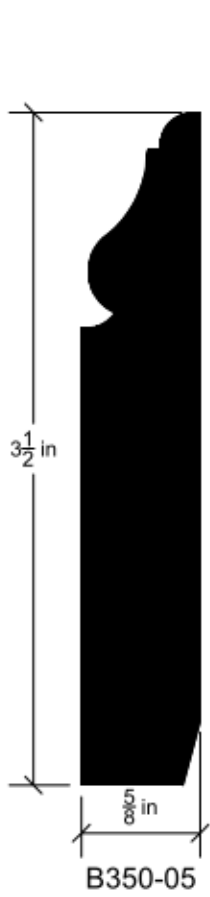
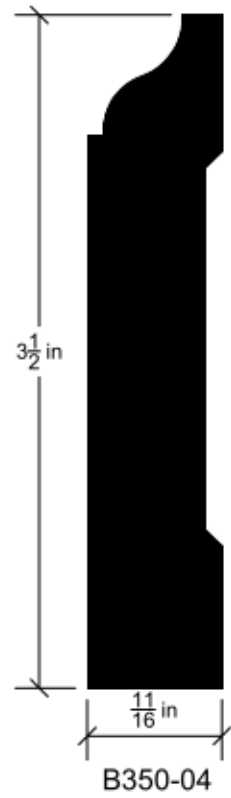
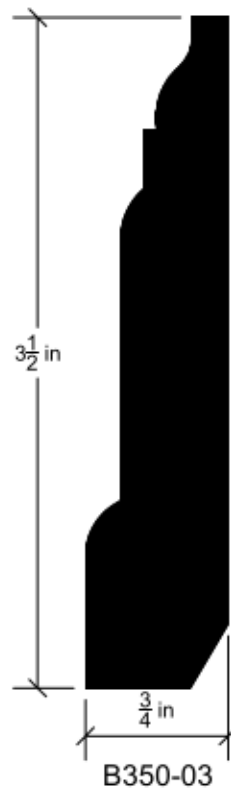
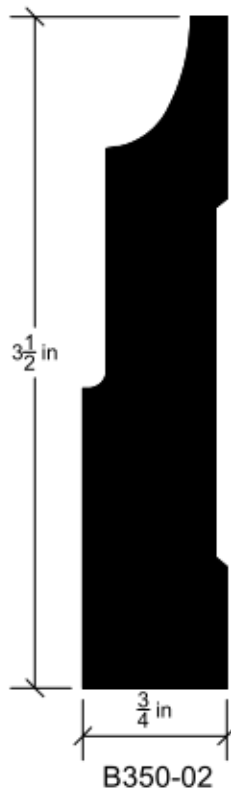
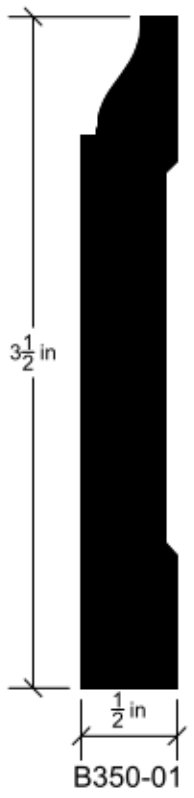
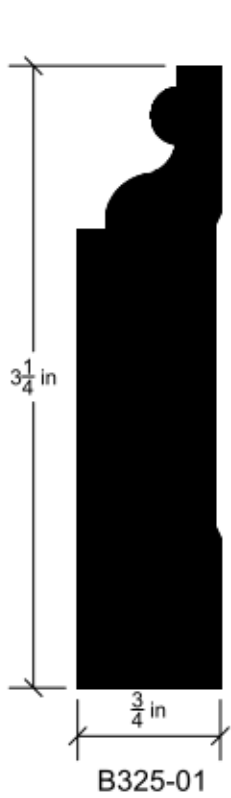
band-25

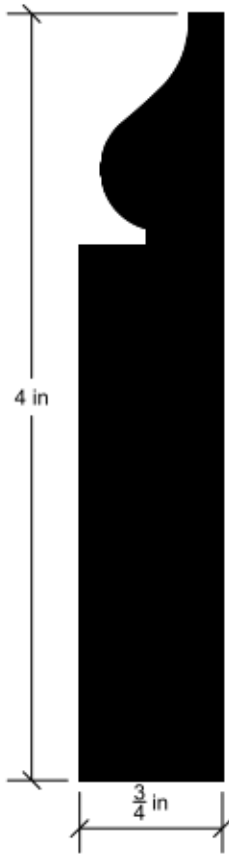


band-26

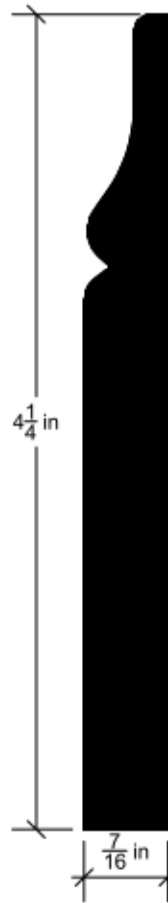




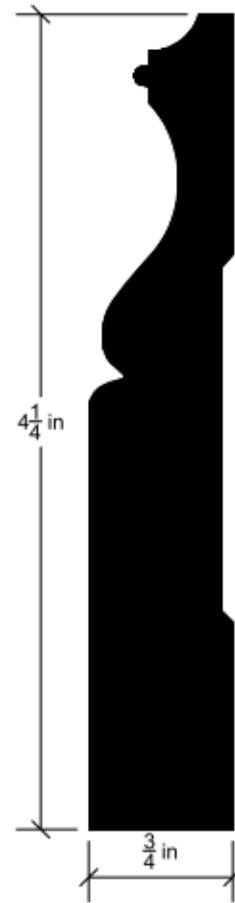




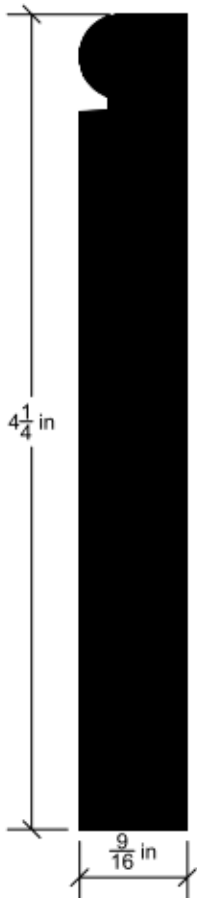
B400-05



B425-01



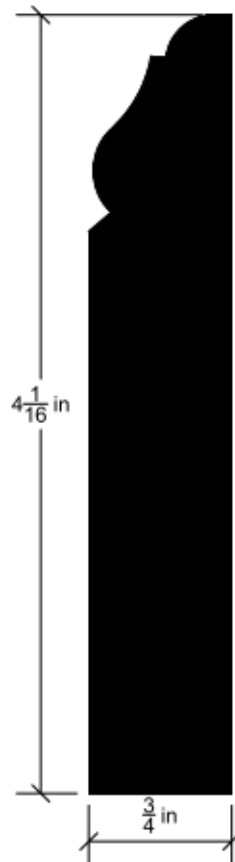
B425-02



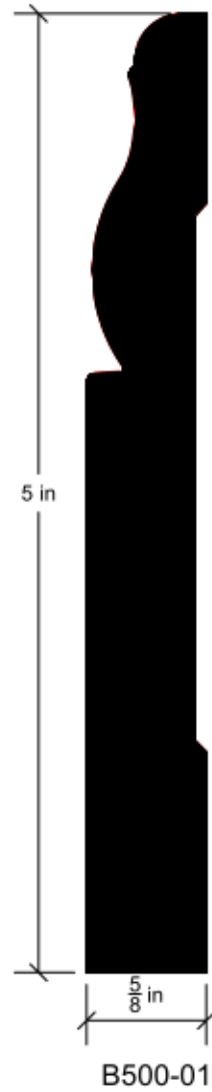
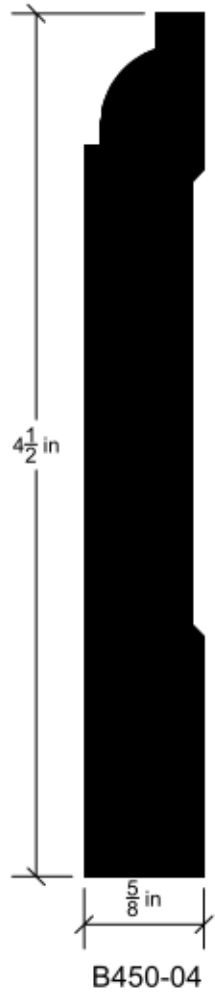
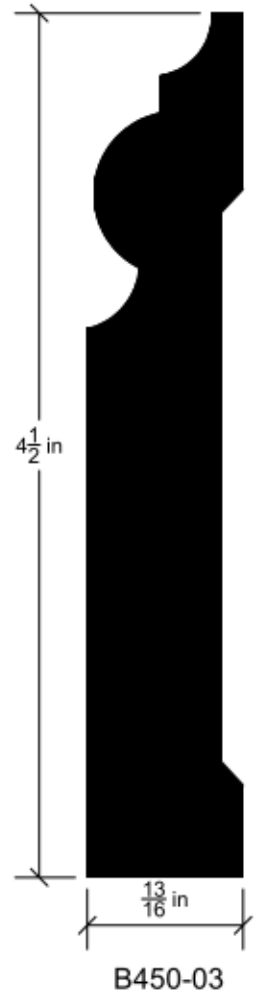
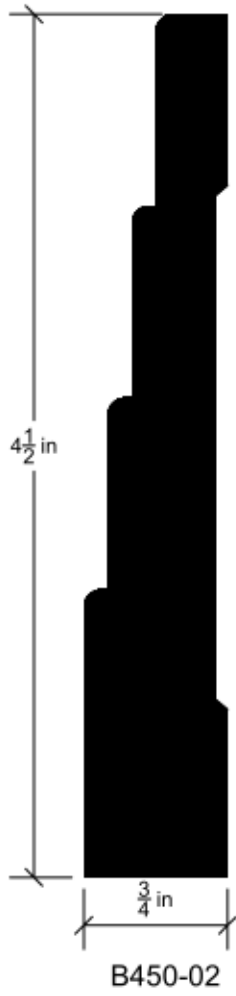
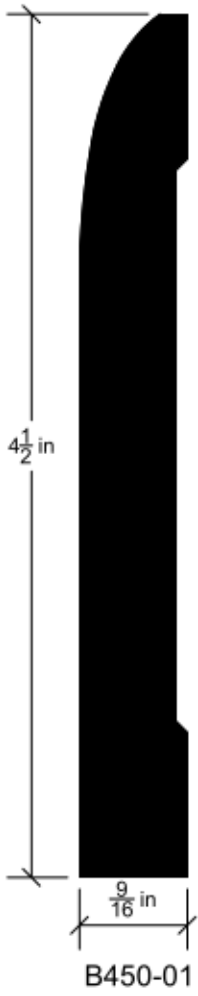
B425-03

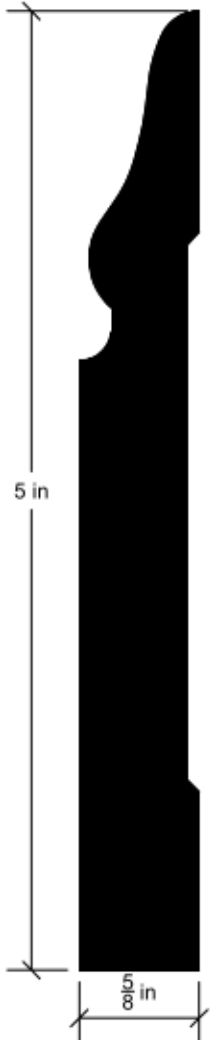


B425-04

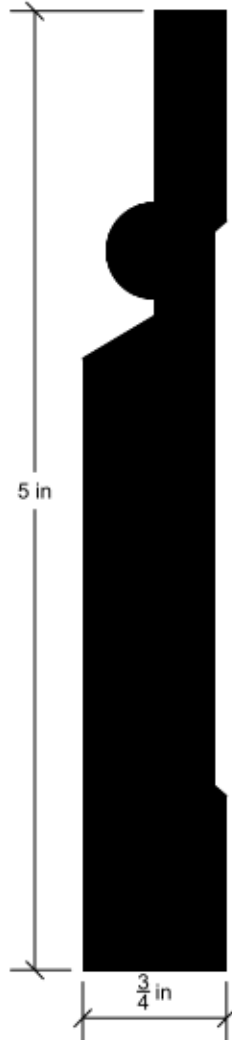


B425-05

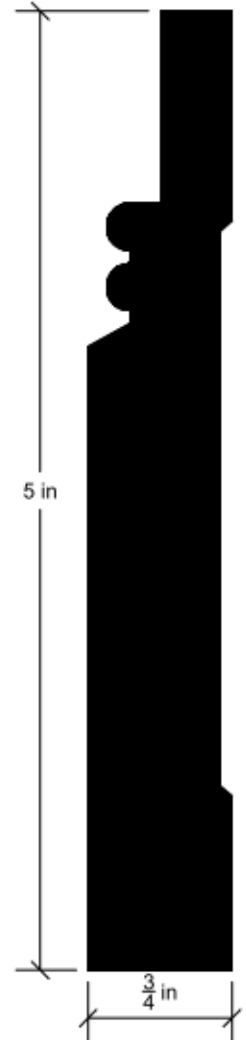




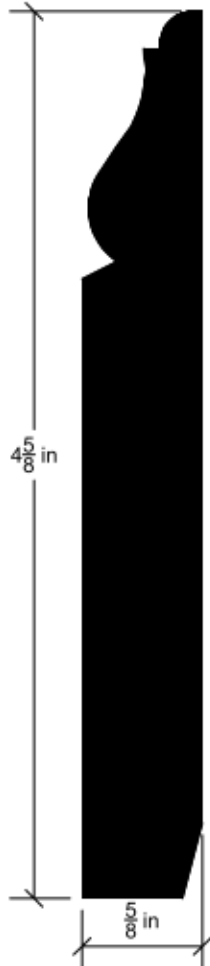
B500-02



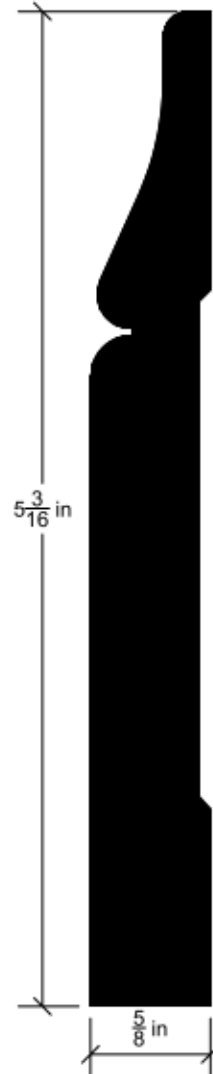
B500-03



B500-04

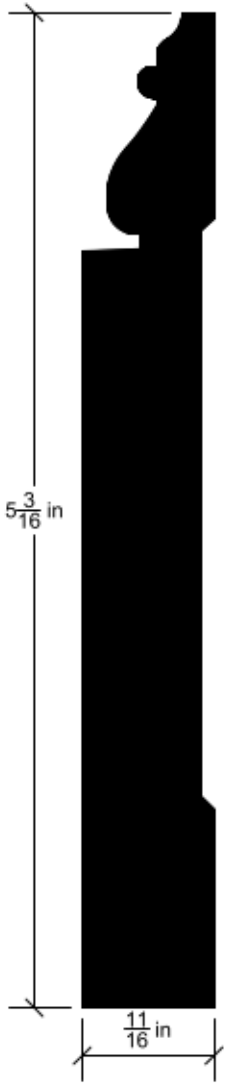


B500-05

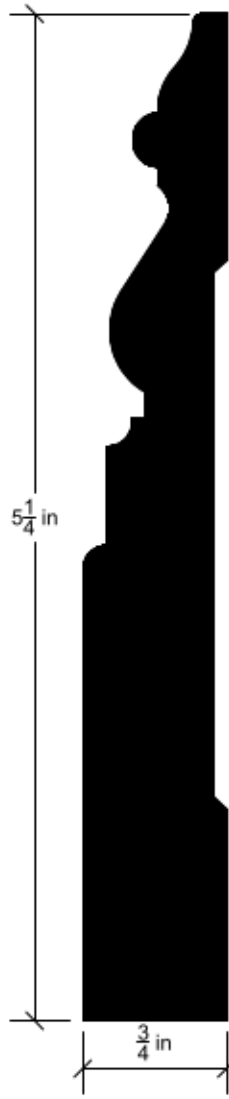


B525-01

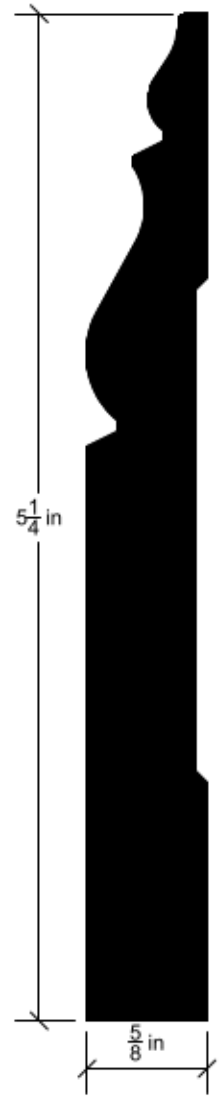




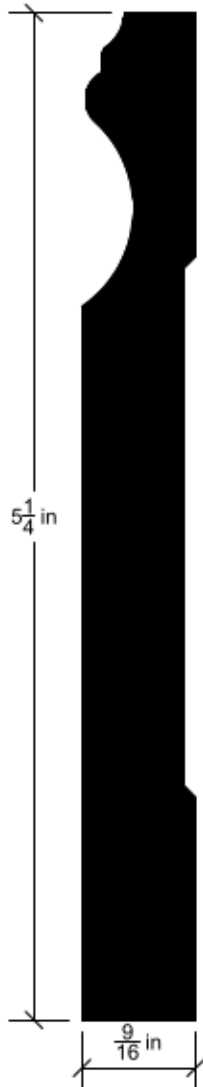
B525-02



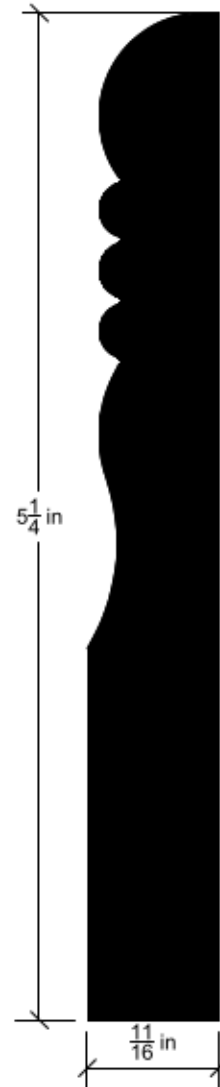
B525-03



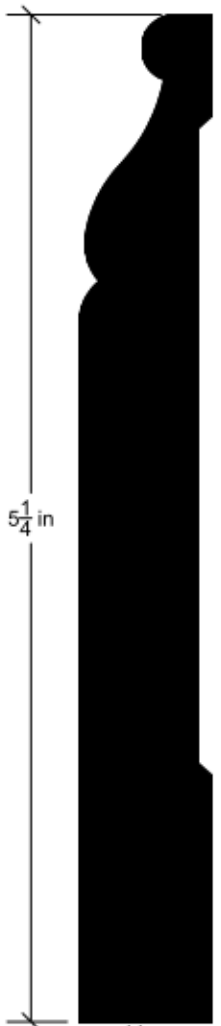
B525-04



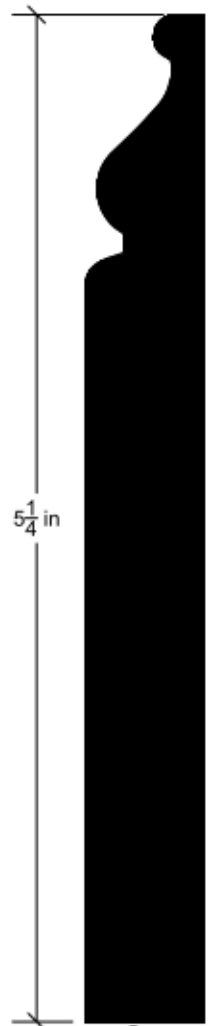
B525-05



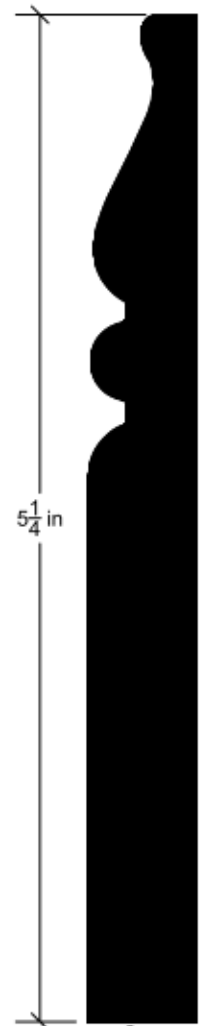
B525-06



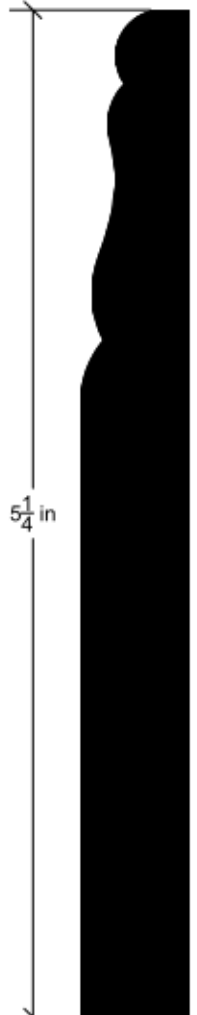
B525-07



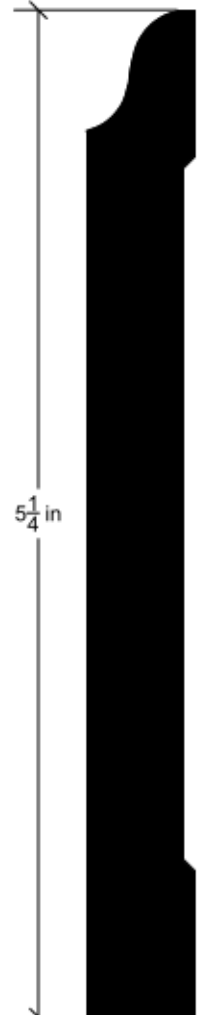
B525-08



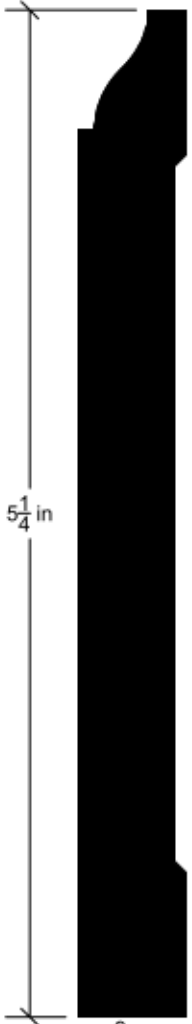
B525-09



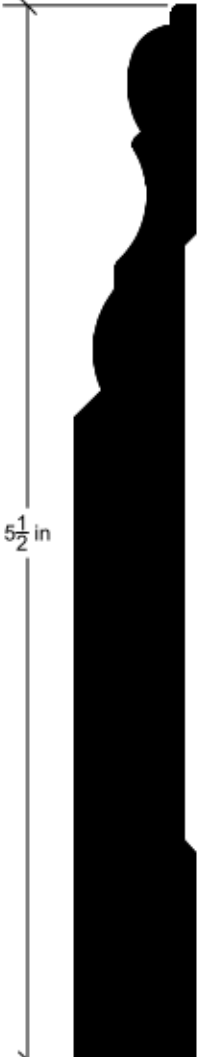
B525-10



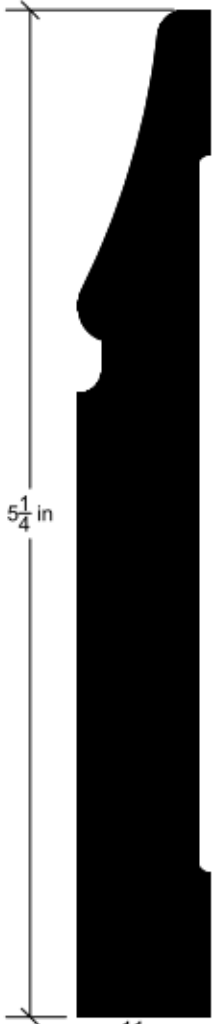
B525-11



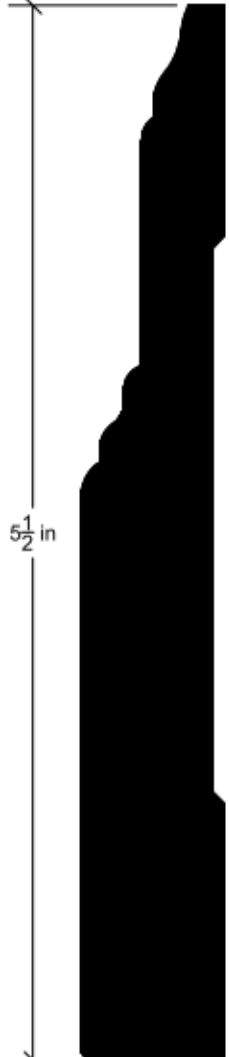
B525-12



B550-02



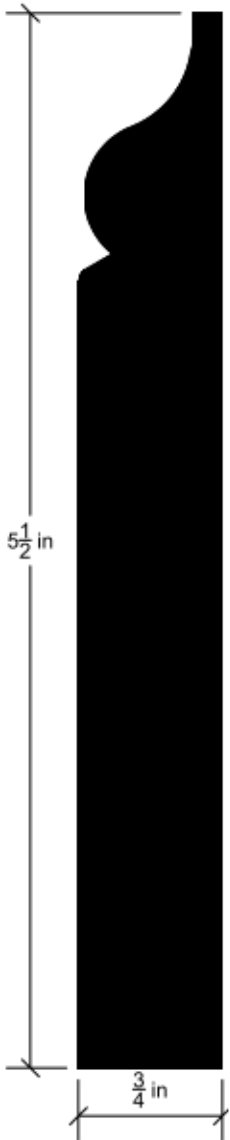
B525-13



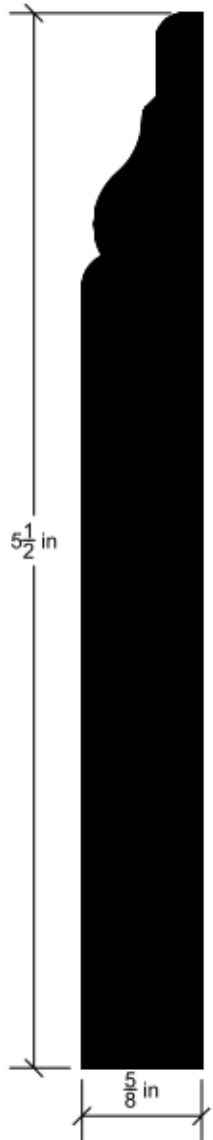
B550-03



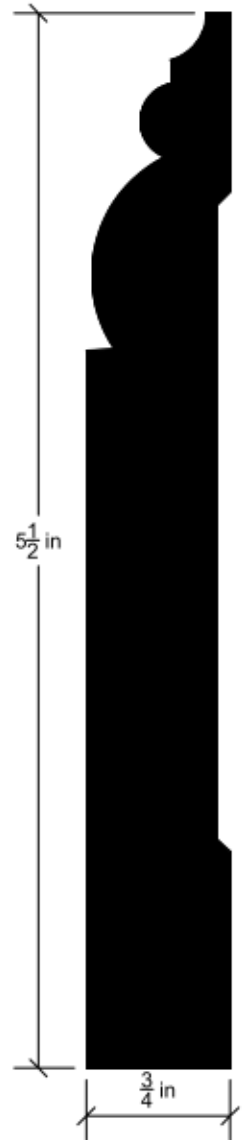
B550-01



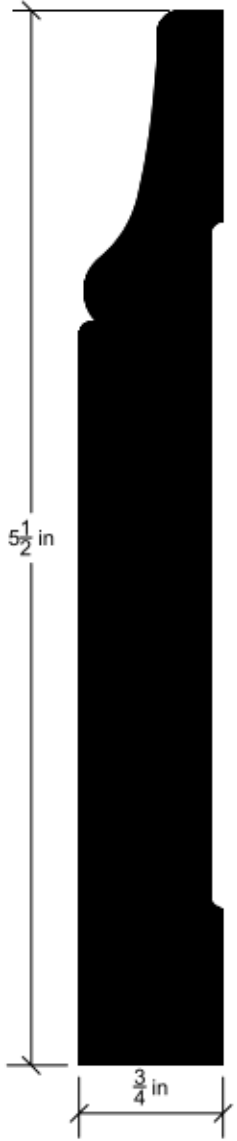
B550-04



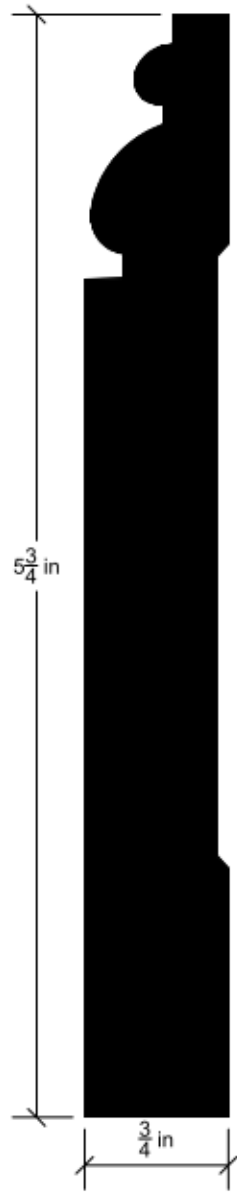
B550-05



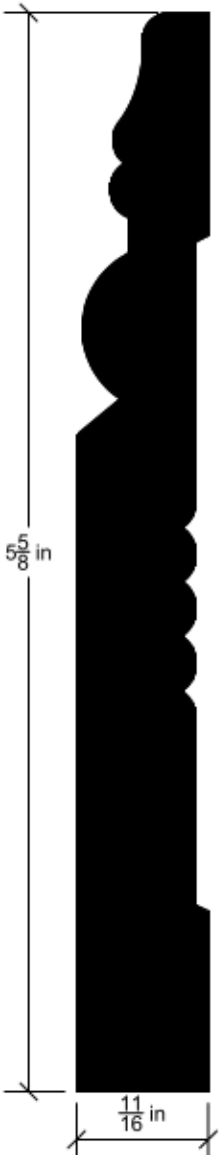
B550-06



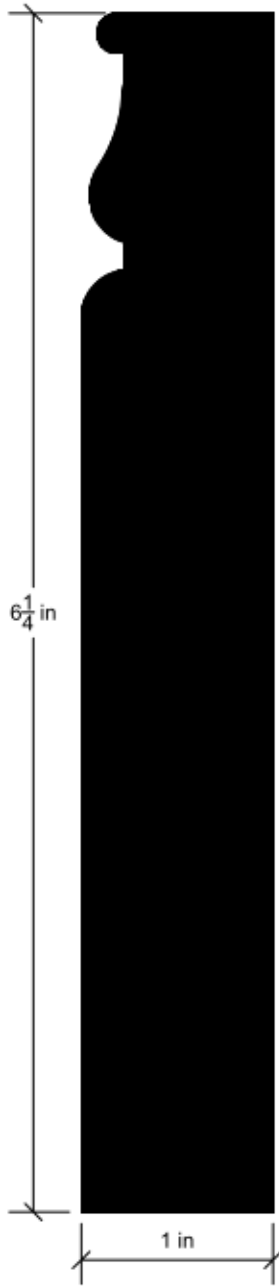
B550-07



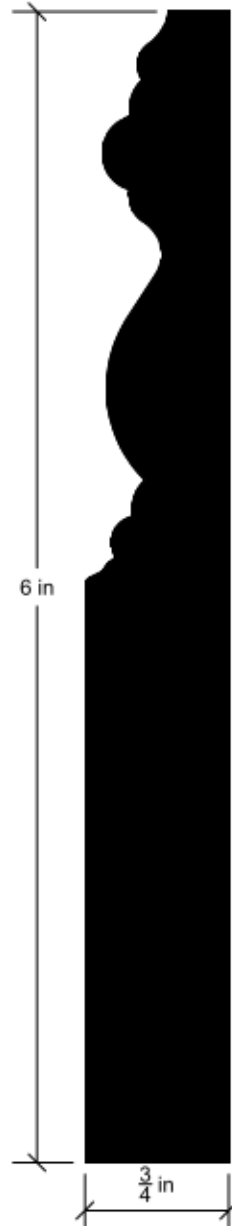
B575-01



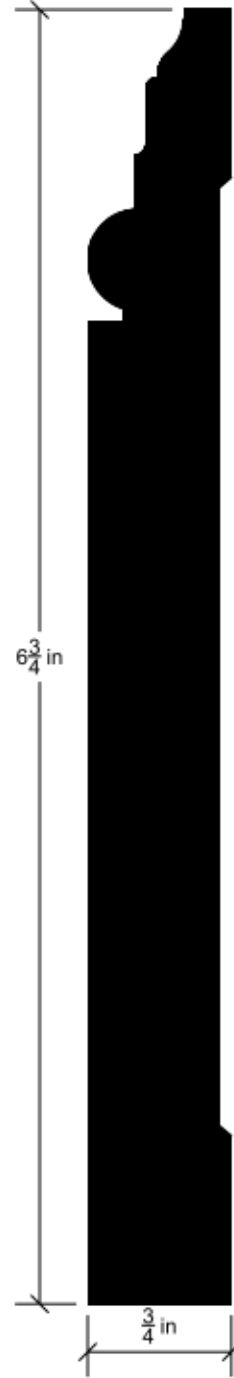
B575-02



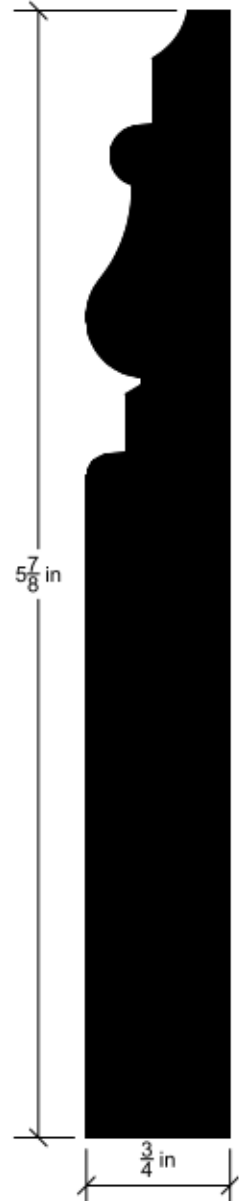
B625-01



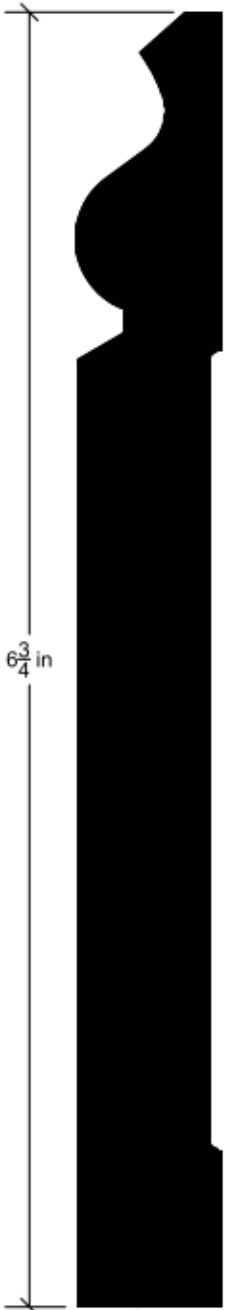
B600-01



B675-01



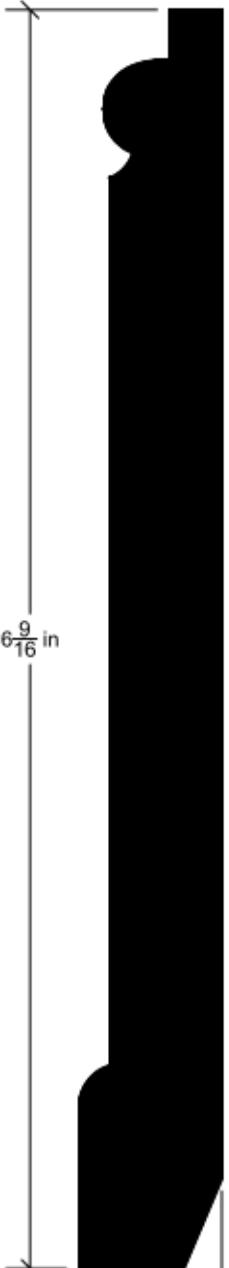
B600-02



6 <sup>3</sup>/<sub>4</sub> in

<sup>3</sup>/<sub>4</sub> in

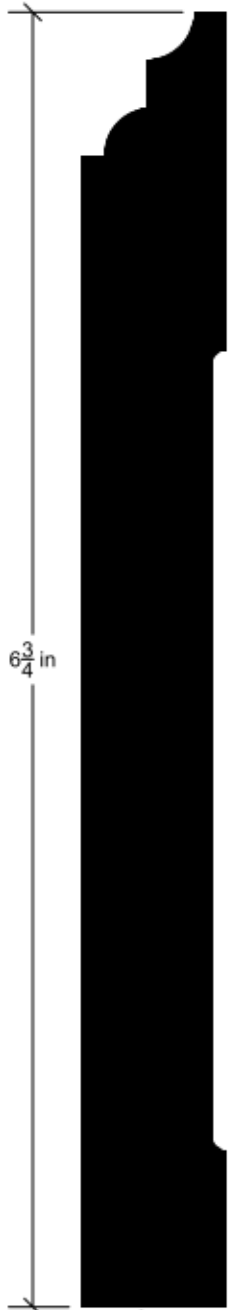
B675-02



6 <sup>9</sup>/<sub>16</sub> in

<sup>3</sup>/<sub>4</sub> in

B675-05



6 <sup>3</sup>/<sub>4</sub> in

<sup>3</sup>/<sub>4</sub> in

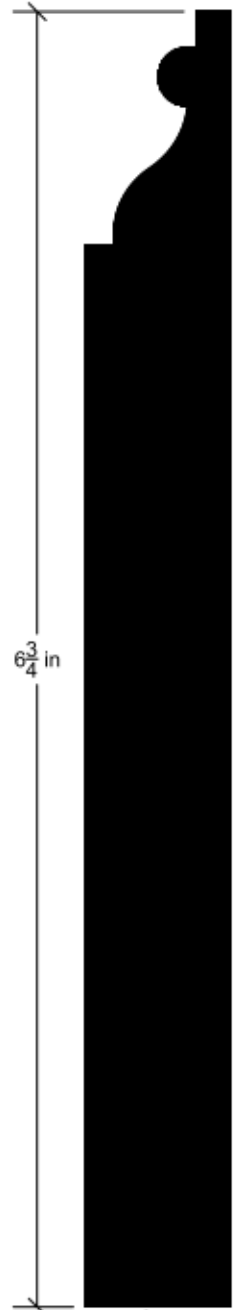
B675-03



7 <sup>3</sup>/<sub>8</sub> in

<sup>3</sup>/<sub>4</sub> in

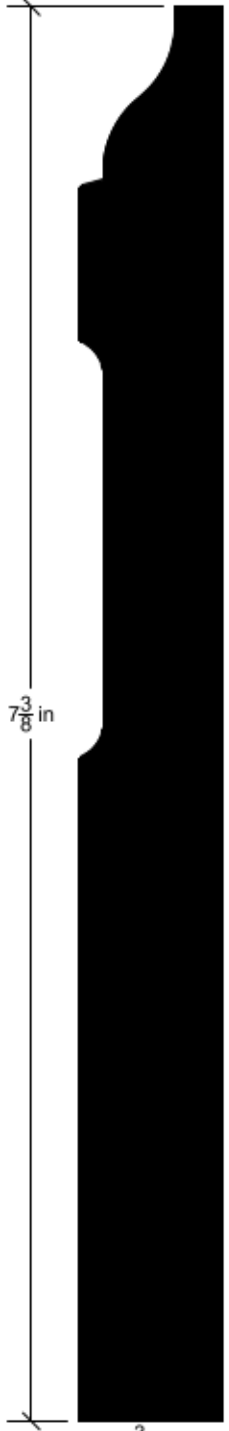
B750-01



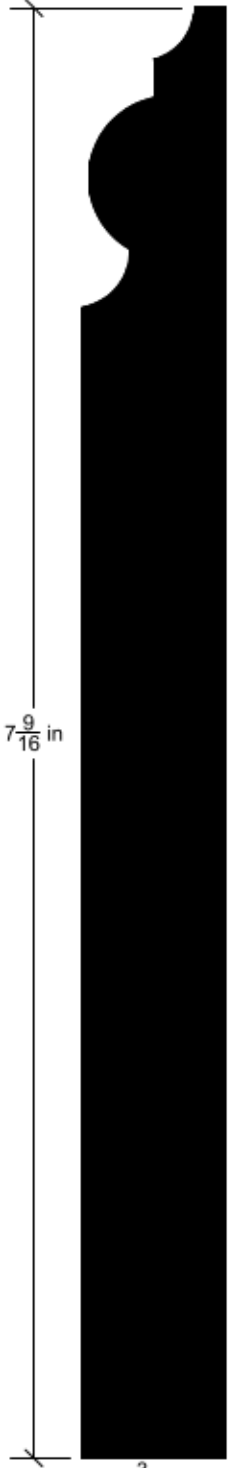
6 <sup>3</sup>/<sub>4</sub> in

<sup>3</sup>/<sub>4</sub> in

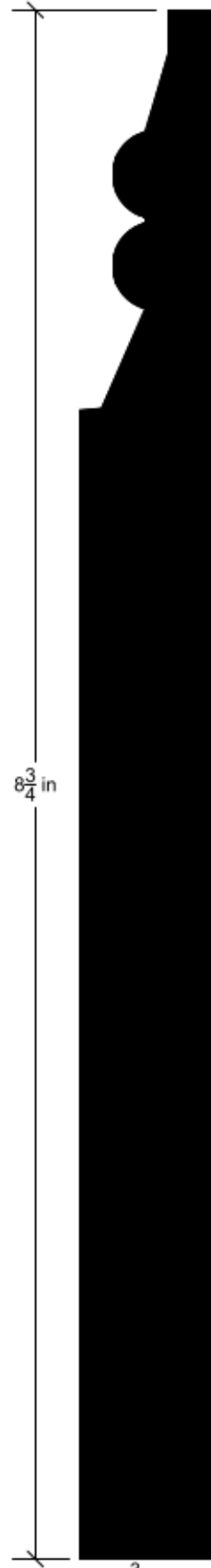
B675-04



B750-02

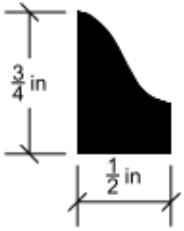


B775-01

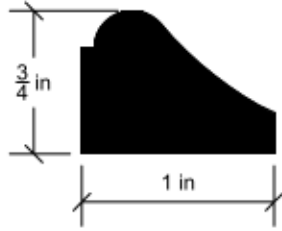


B875-01

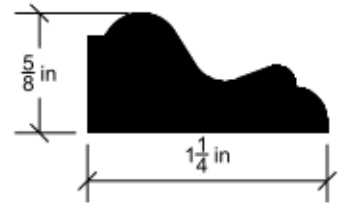
cap-01



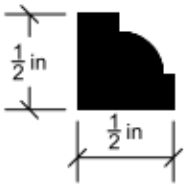
cap-06



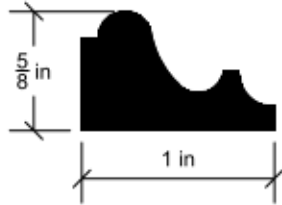
cap-11



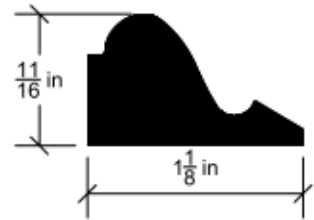
cap-02



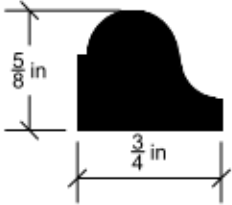
cap-07



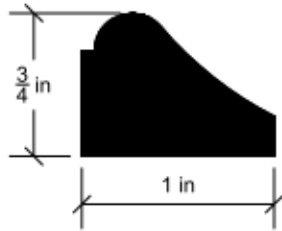
cap-12



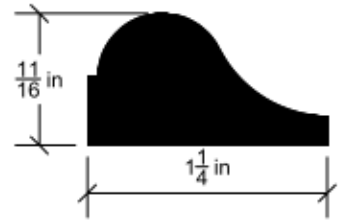
cap-03



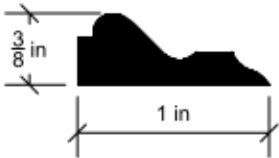
cap-08



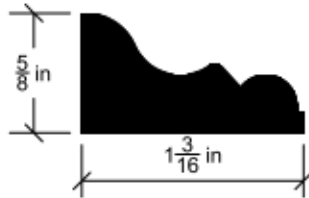
cap-13



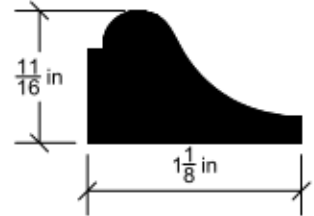
cap-04



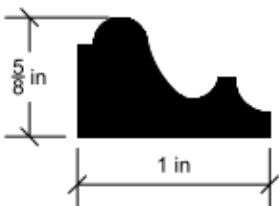
cap-09



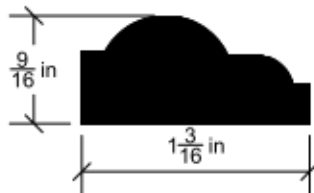
cap-14



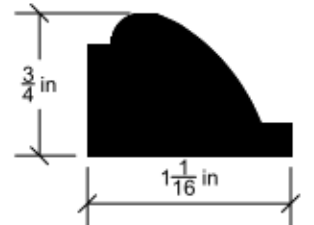
cap-05



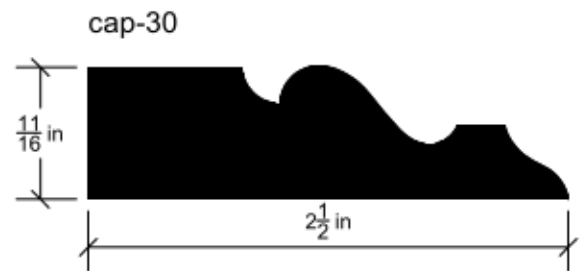
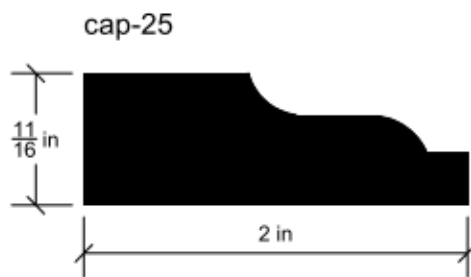
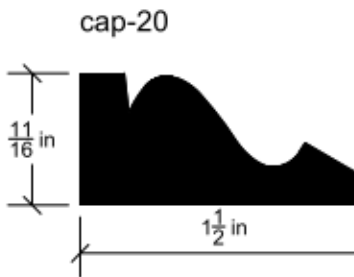
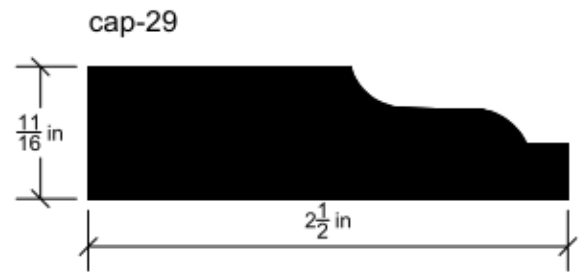
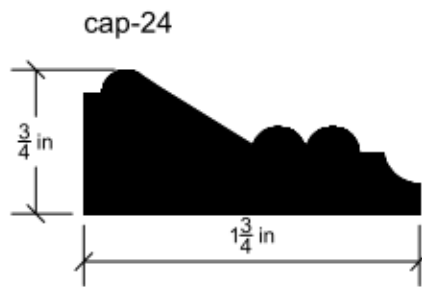
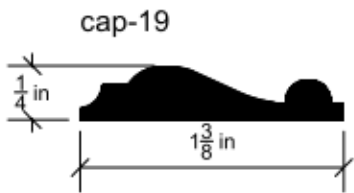
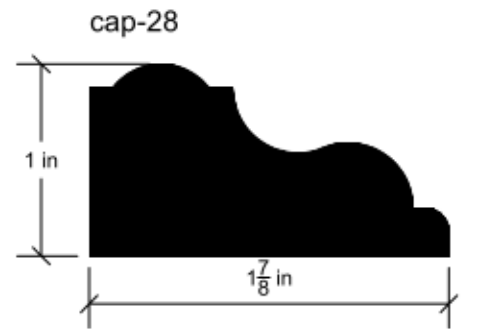
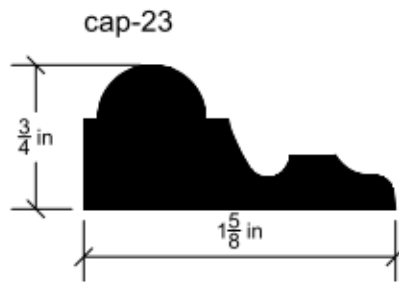
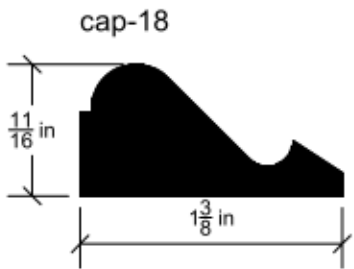
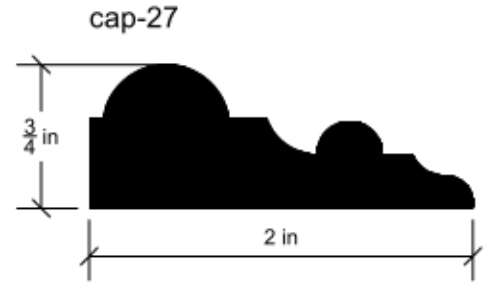
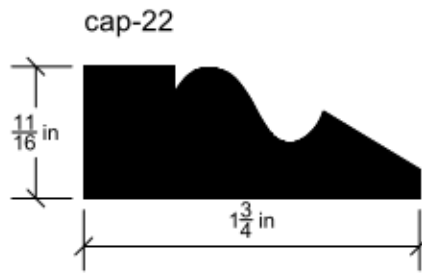
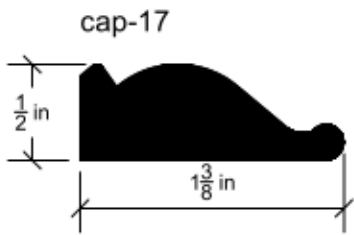
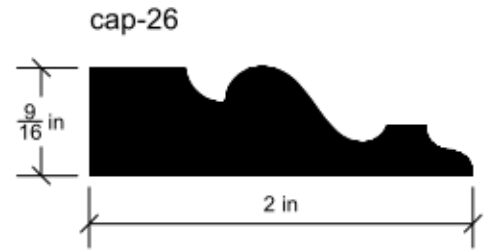
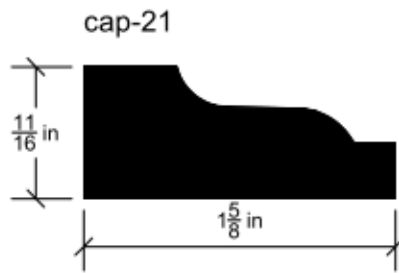
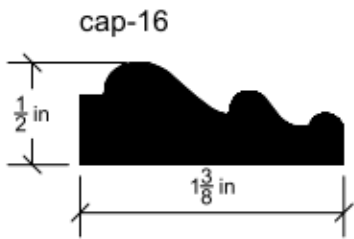
cap-10



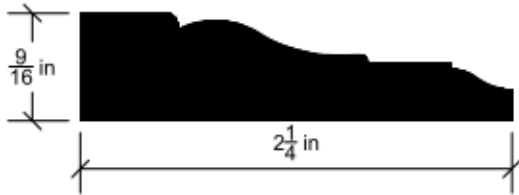
cap-15



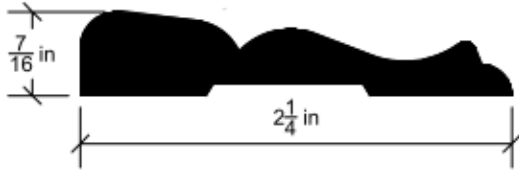




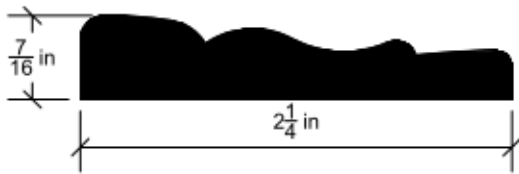
cas225-001



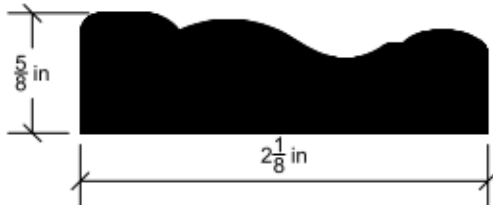
cas225-002



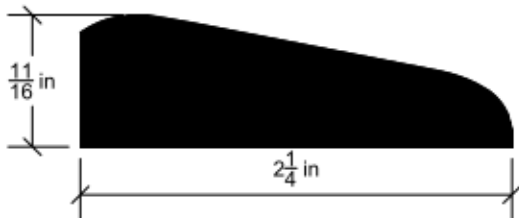
cas225-003



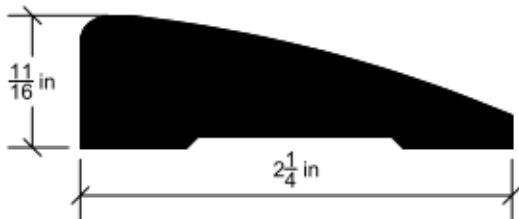
cas225-004



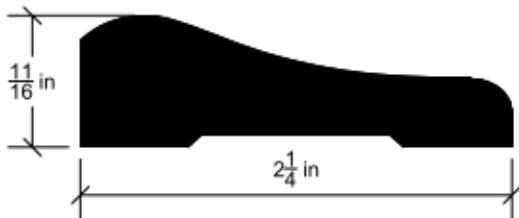
cas225-005



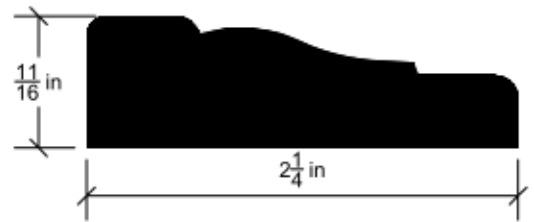
cas225-006



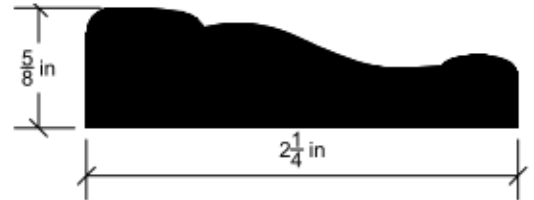
cas225-007



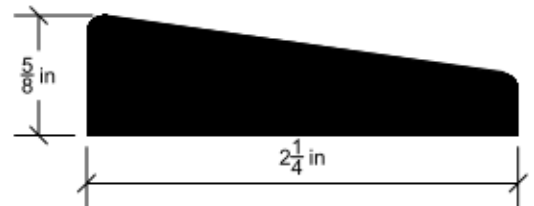
cas225-008



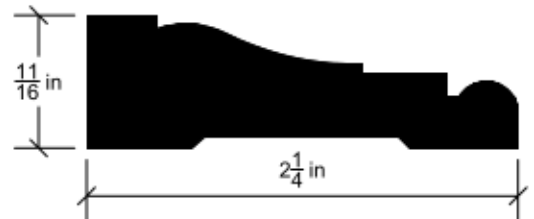
cas225-009



cas225-010



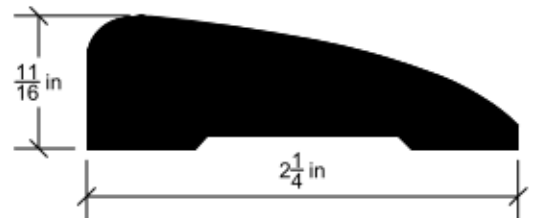
cas225-011



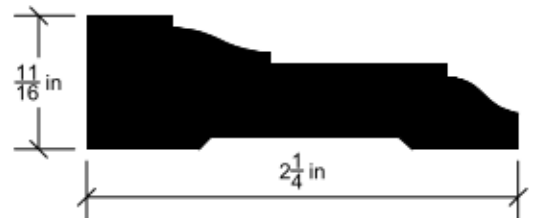
cas225-012



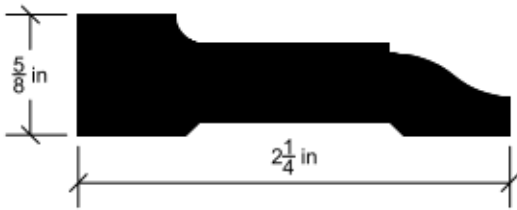
cas225-013



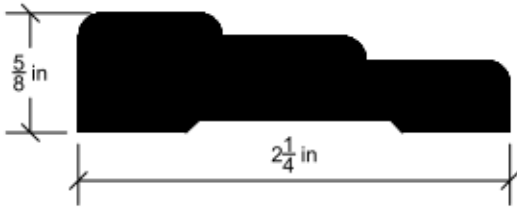
cas225-014



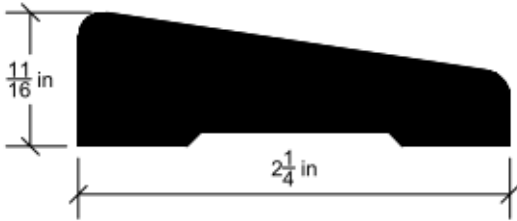
cas225-015



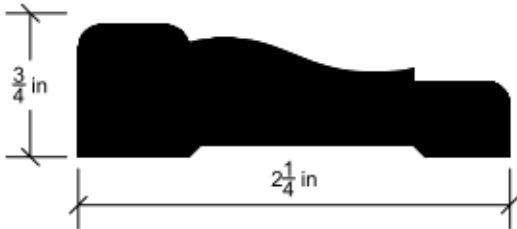
cas225-016



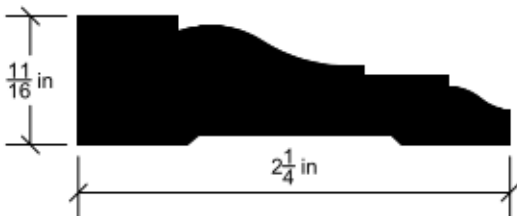
cas225-017



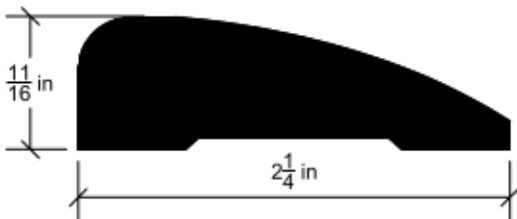
cas225-018



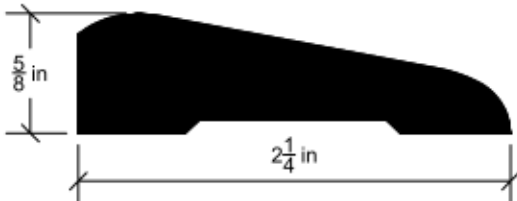
cas225-019



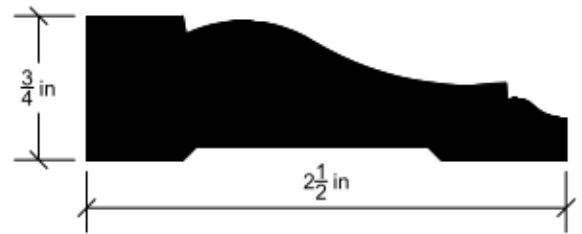
cas225-020



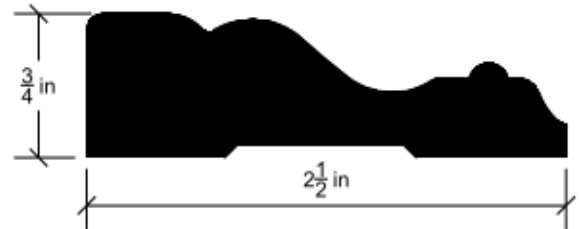
cas225-021



cas250-001



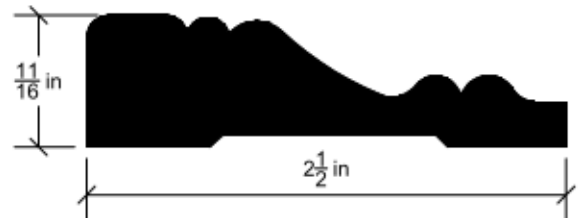
cas250-002



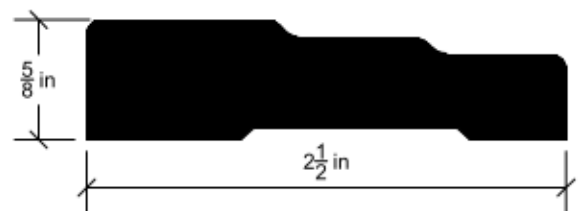
cas250-003



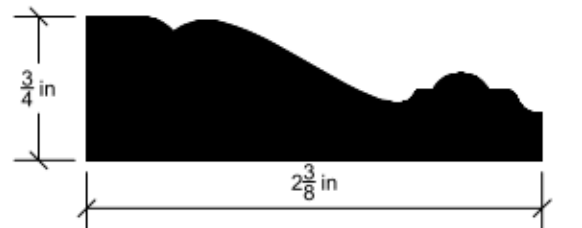
cas250-004



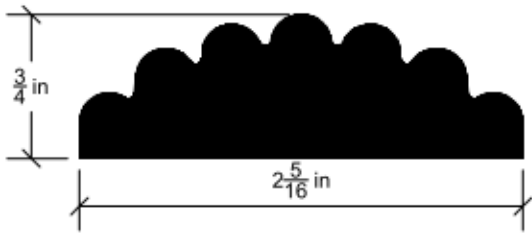
cas250-005



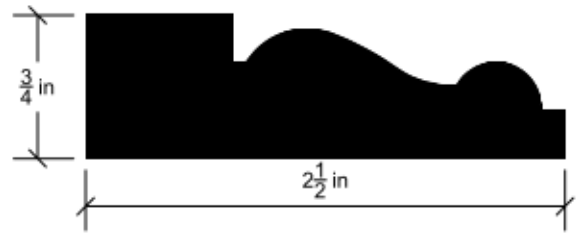
cas250-006



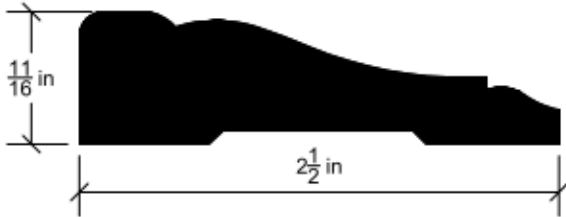
cas250-007



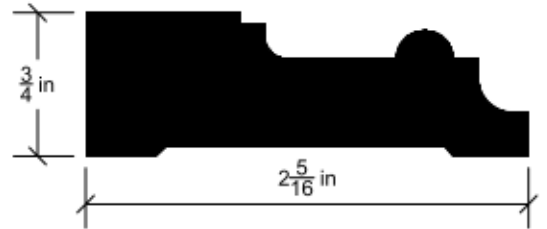
cas250-013



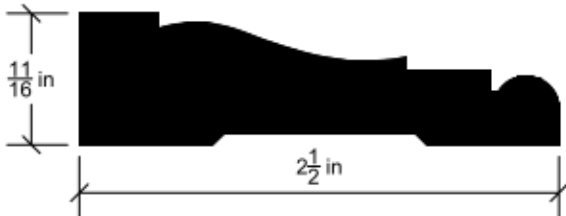
cas250-008



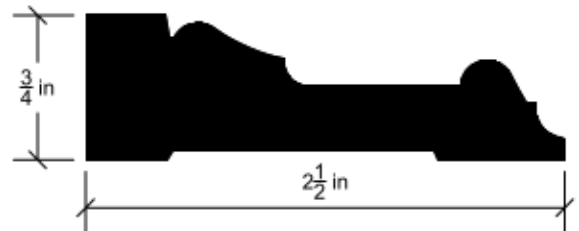
cas250-014



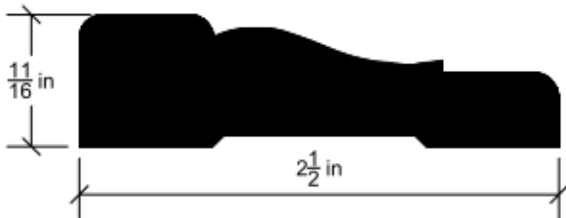
cas250-009



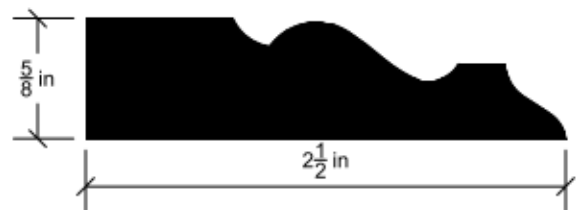
cas250-015



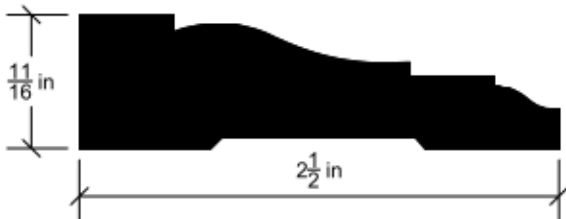
cas250-010



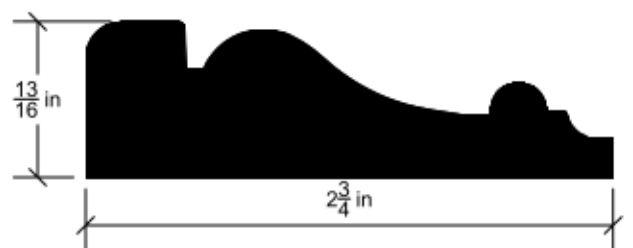
cas250-016



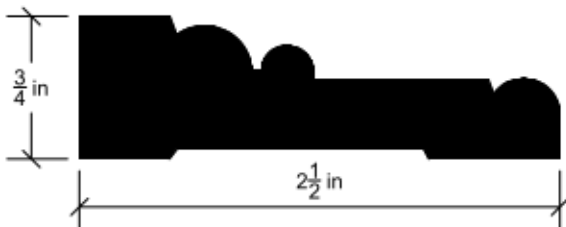
cas250-011



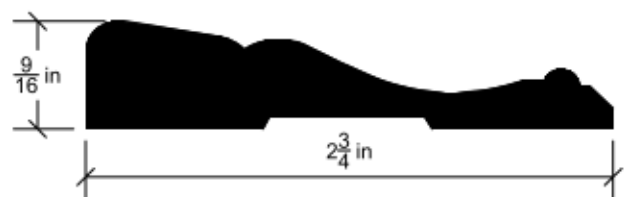
cas275-001



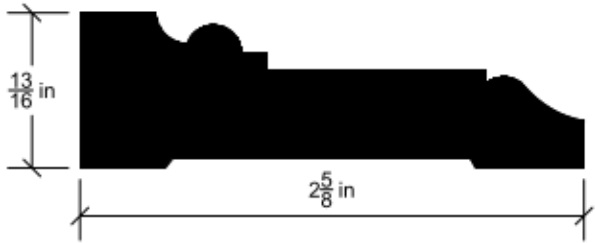
cas250-012



cas275-002



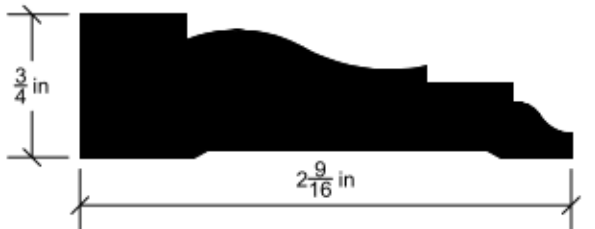
cas275-003



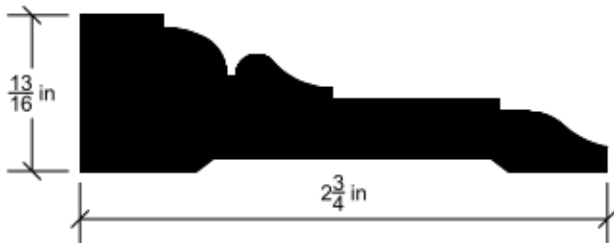
cas275-004



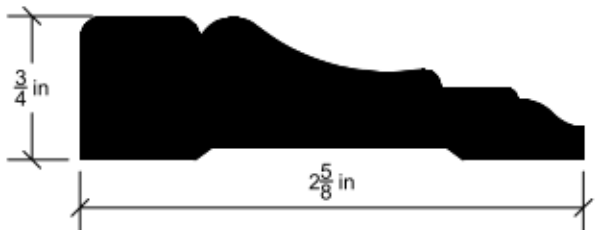
cas275-005



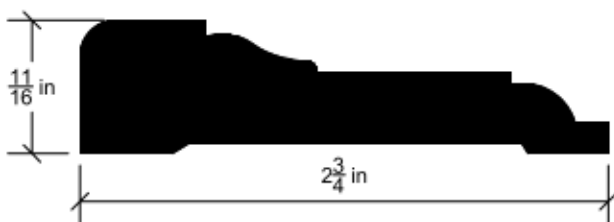
cas275-006



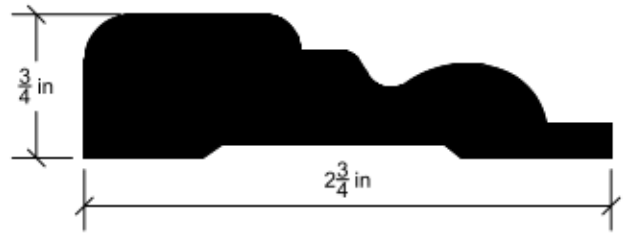
cas275-007



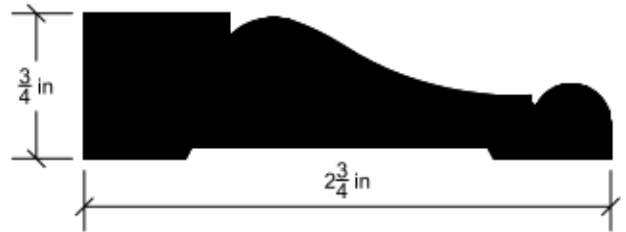
cas275-008



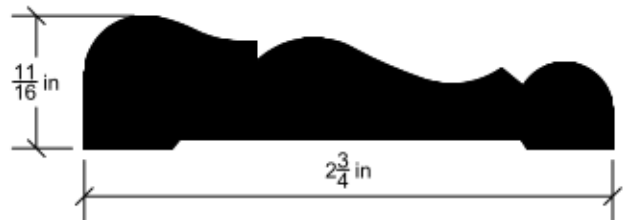
cas275-009



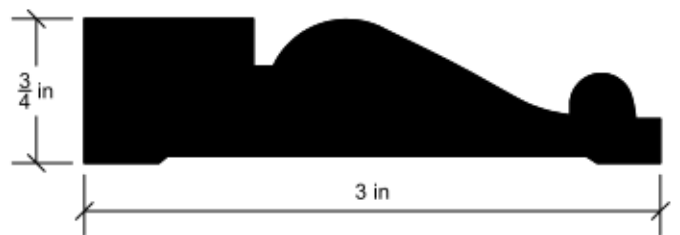
cas275-010



cas275-011



cas300-001



cas300-002



cas300-003



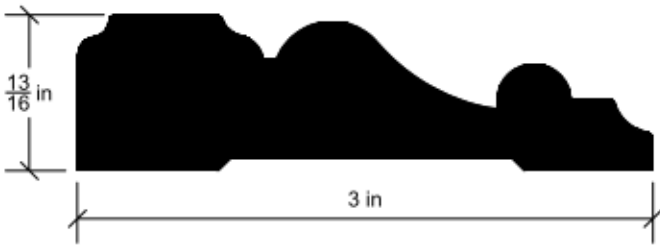
cas300-004



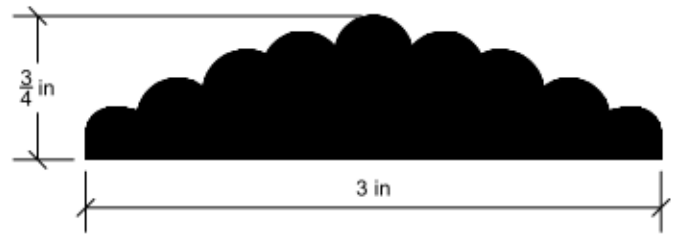
cas300-010



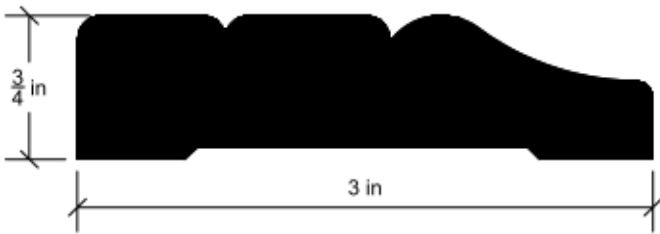
cas300-005



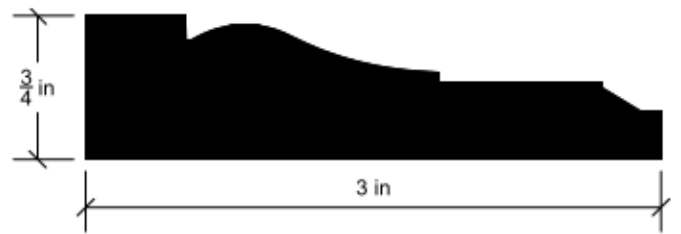
cas300-011



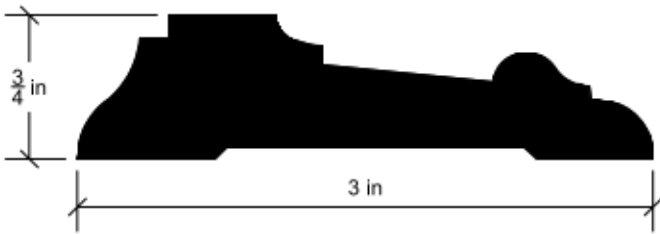
cas300-006



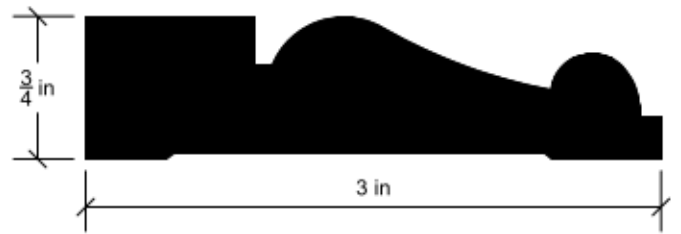
cas300-012



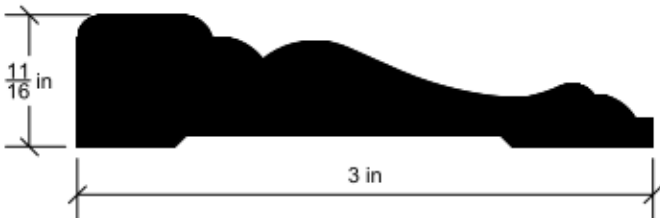
cas300-007



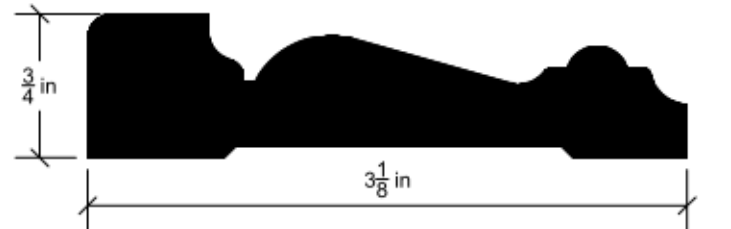
cas300-013



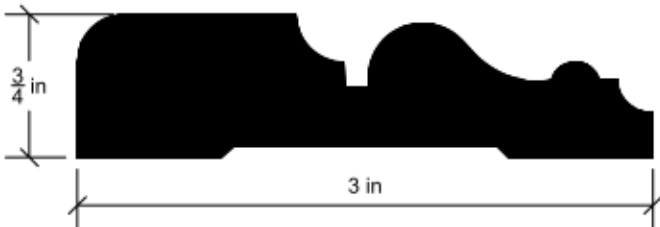
cas300-008



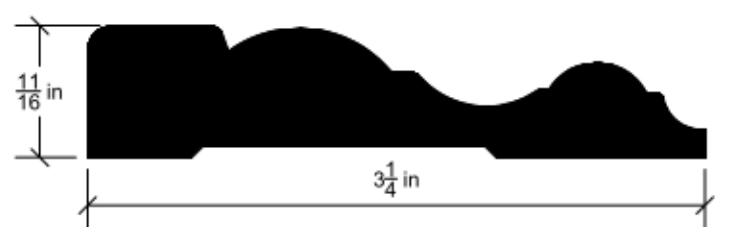
cas325-001



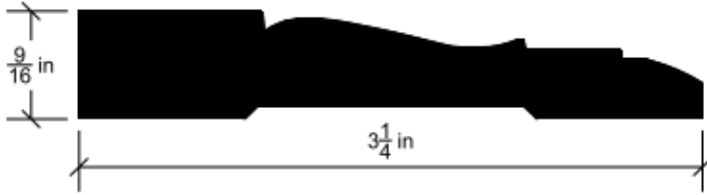
cas300-009



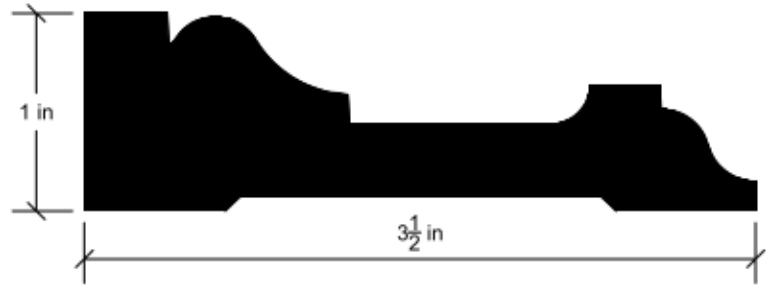
cas325-002



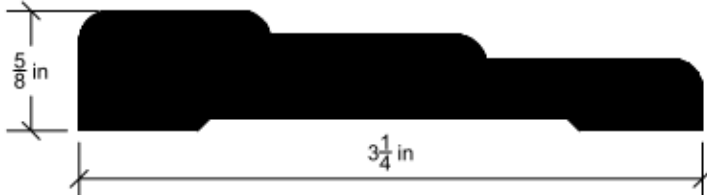
cas325-003



cas350-002



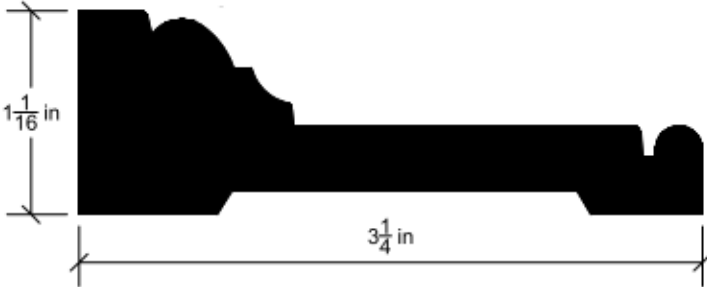
cas325-004



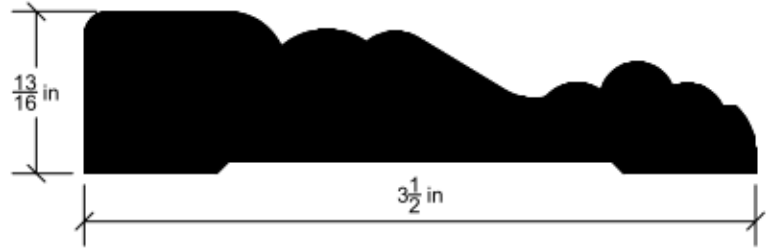
cas350-003



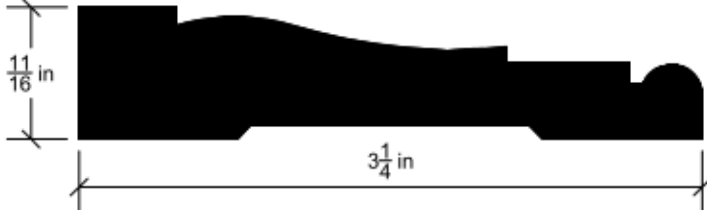
cas325-005



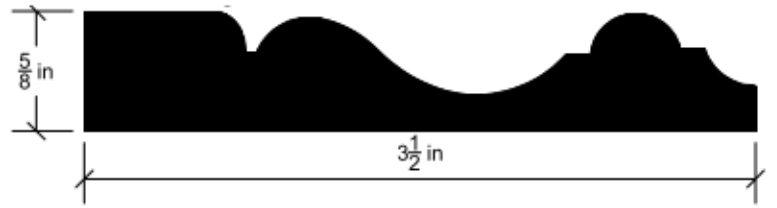
cas350-004



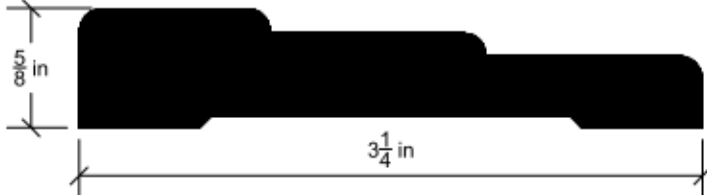
cas325-006



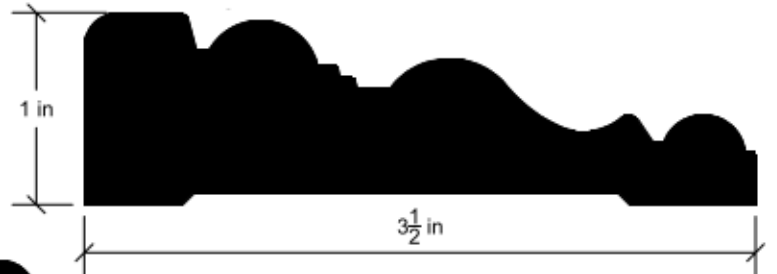
cas350-005



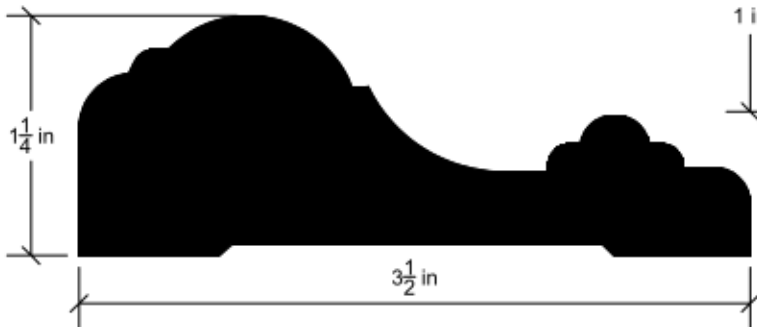
cas325-007



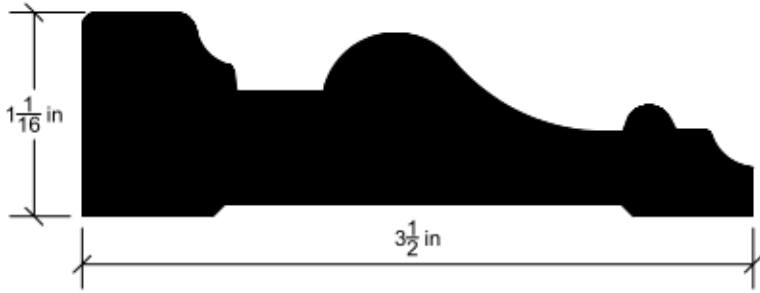
cas350-006



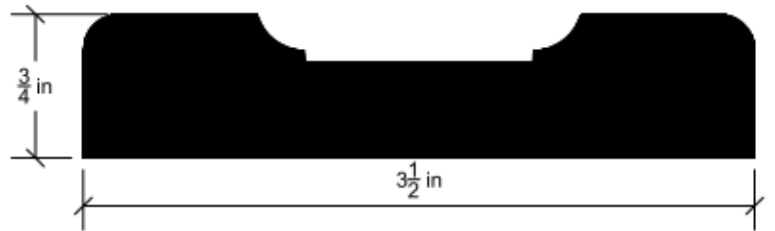
cas350-001



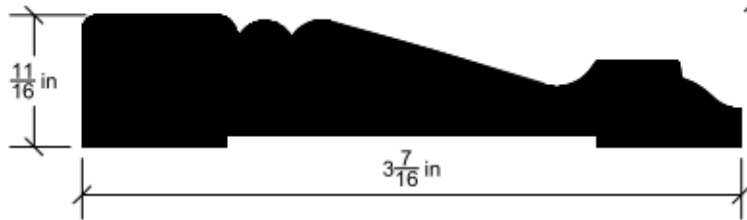
cas350-007



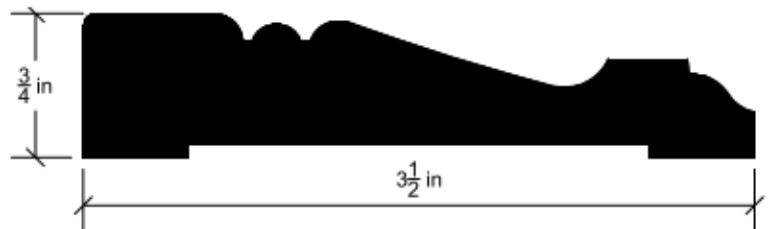
cas350-010



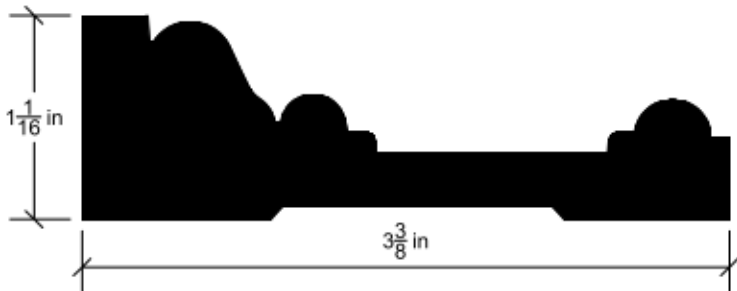
cas350-008



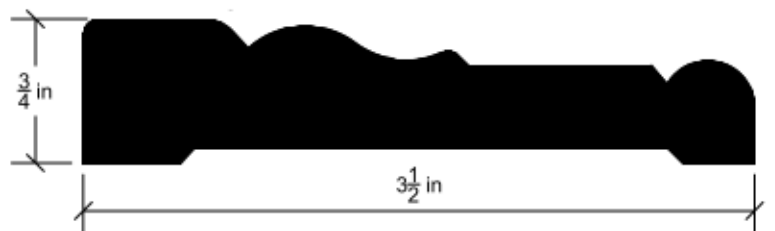
cas350-011



cas350-009

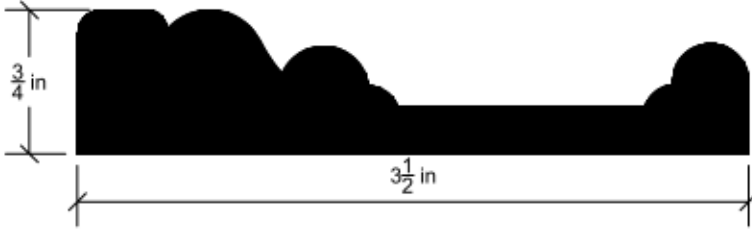


cas350-012

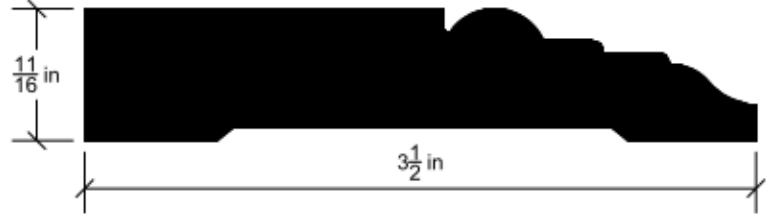




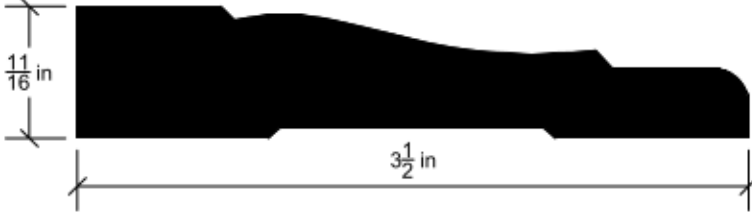
cas350-013



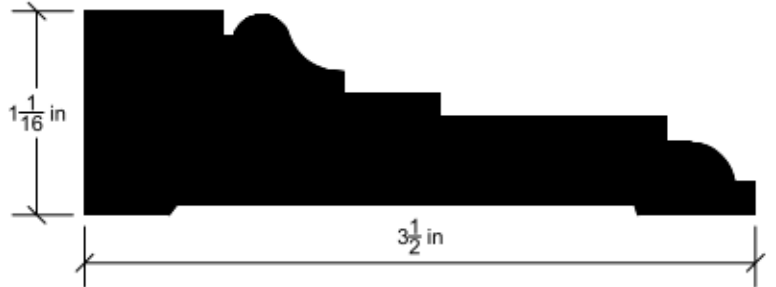
cas350-016



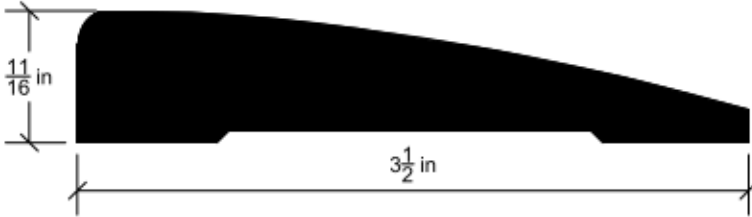
cas350-014



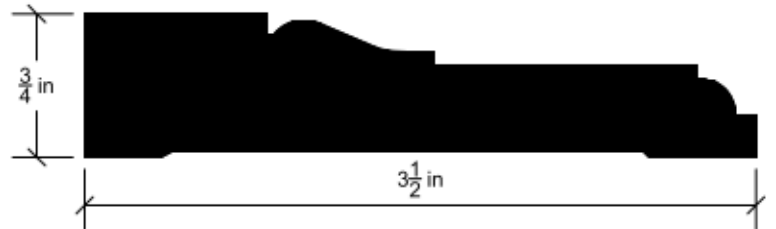
cas350-017



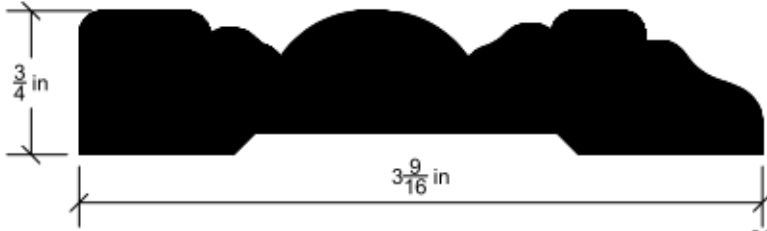
cas350-015



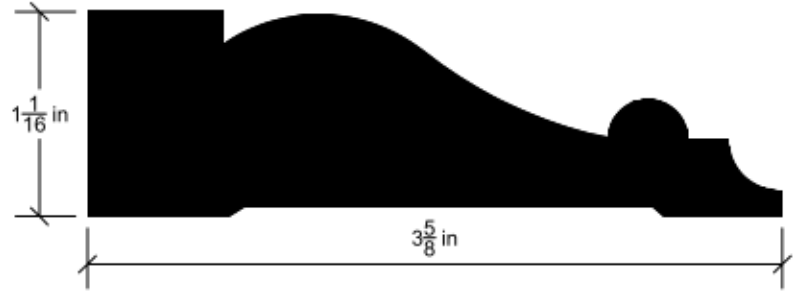
cas350-018



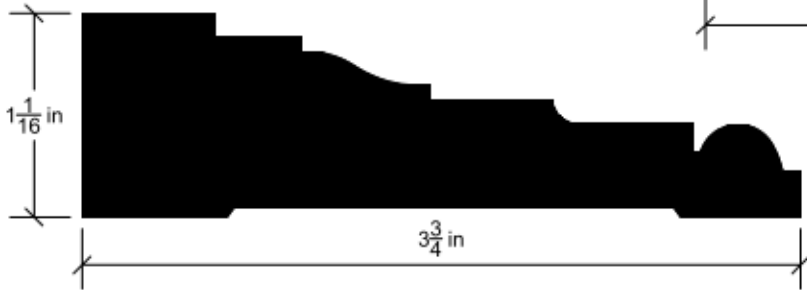
cas375-001



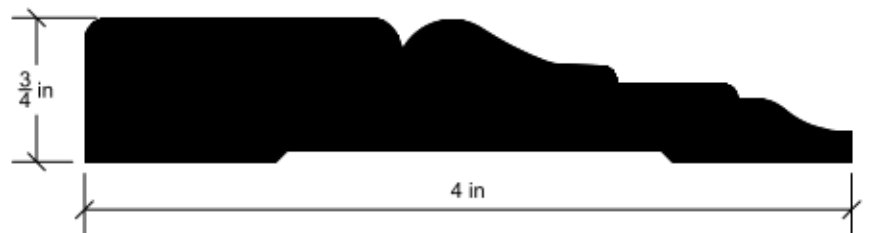
cas375-004



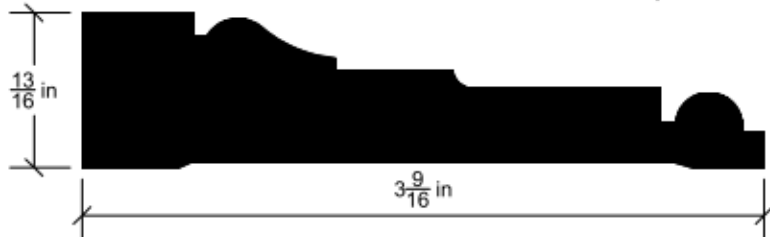
cas375-002



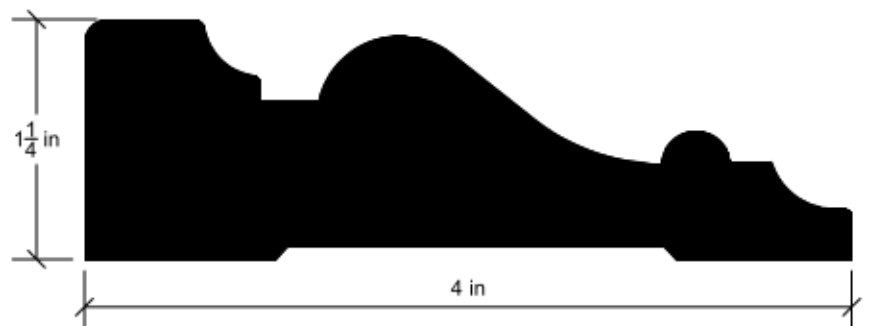
cas400-001



cas375-003



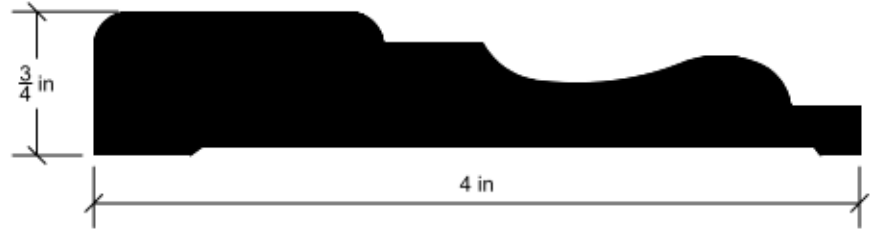
cas400-002



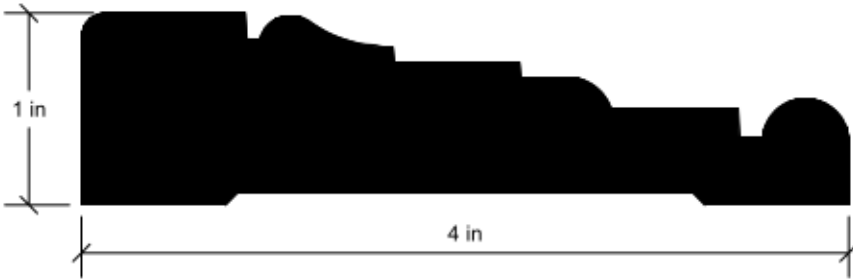
cas400-003



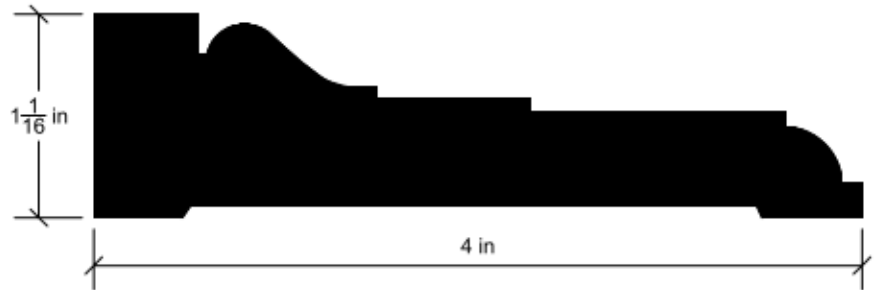
cas400-006



cas400-004



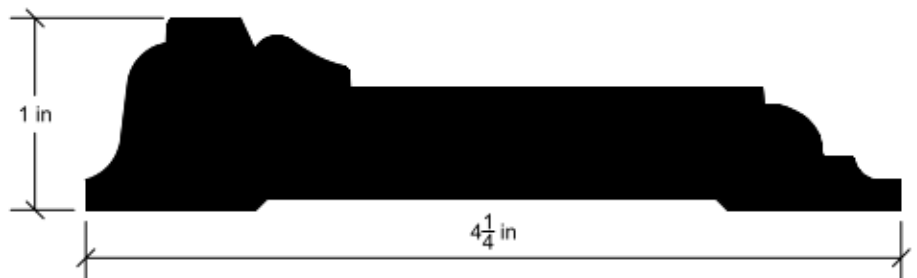
cas400-007



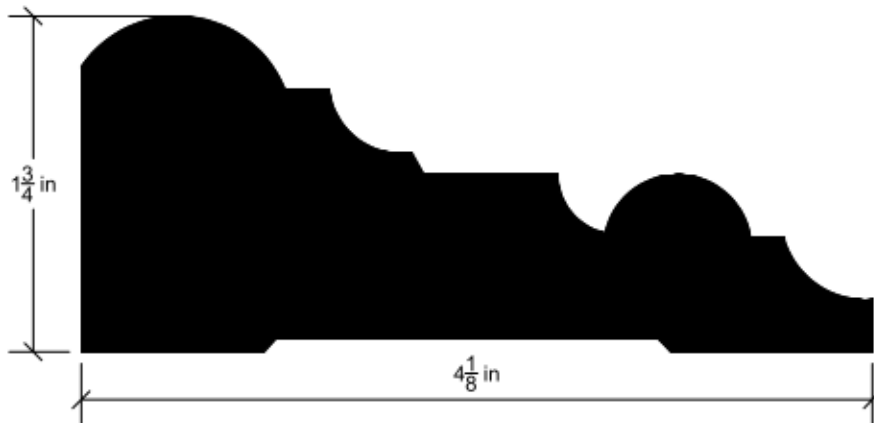
cas400-005



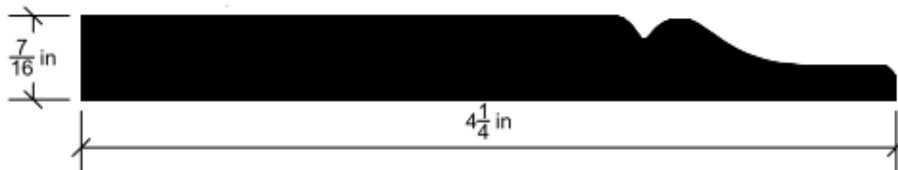
cas425-001



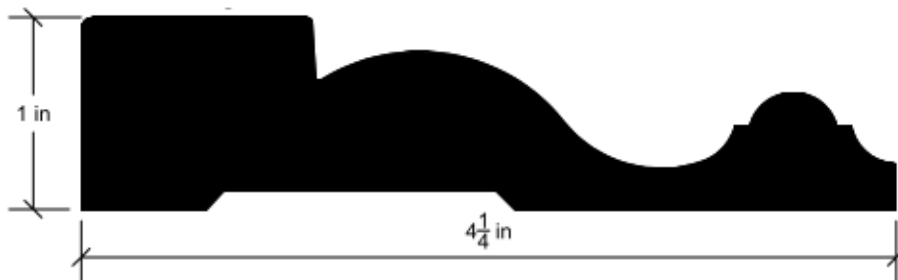
cas425-002



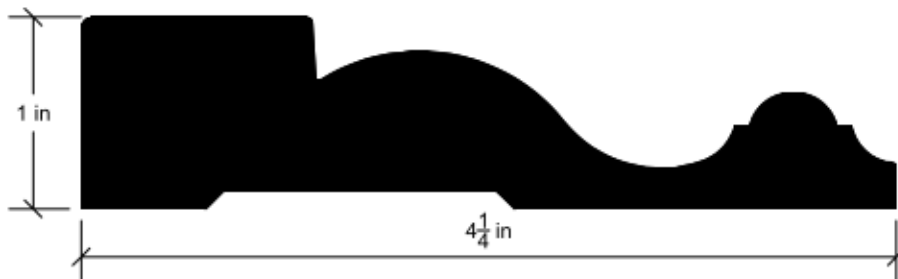
cas425-003



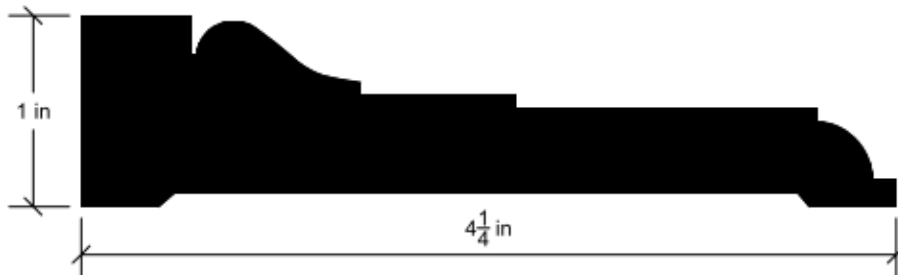
cas425-004



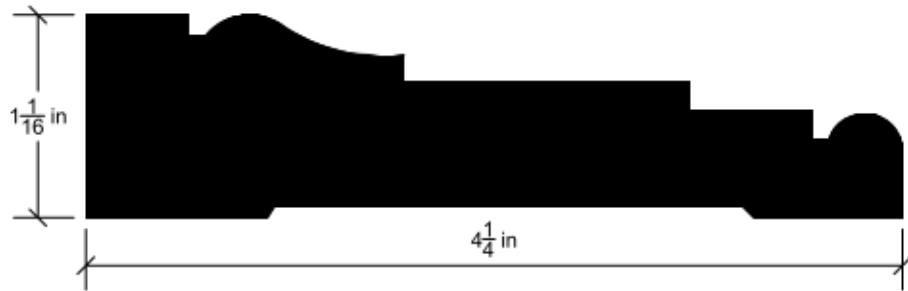
cas425-005



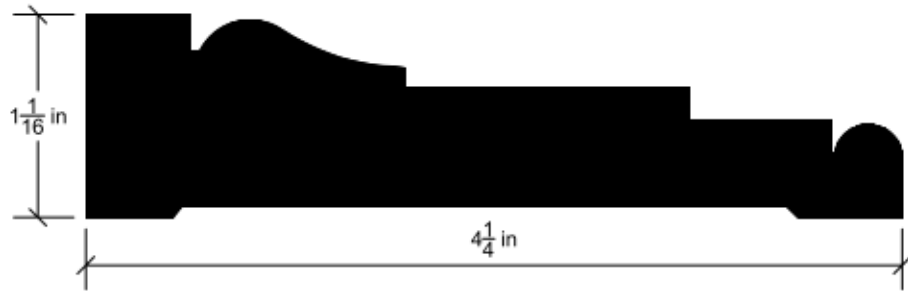
cas425-006



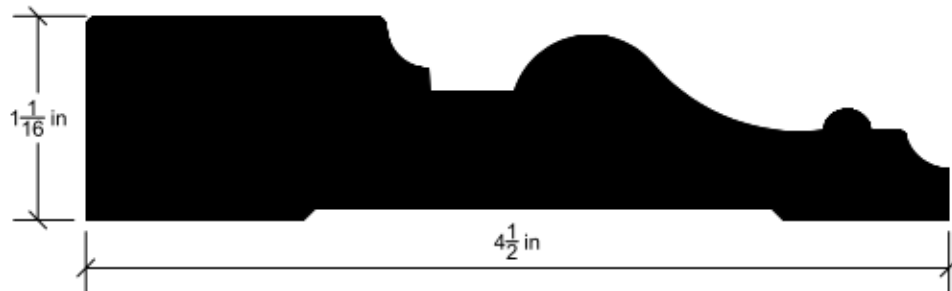
cas425-007



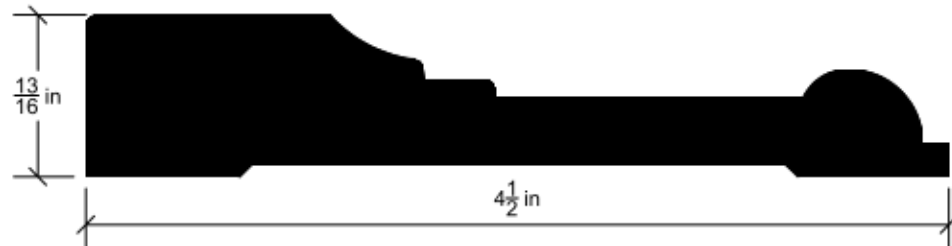
cas425-008



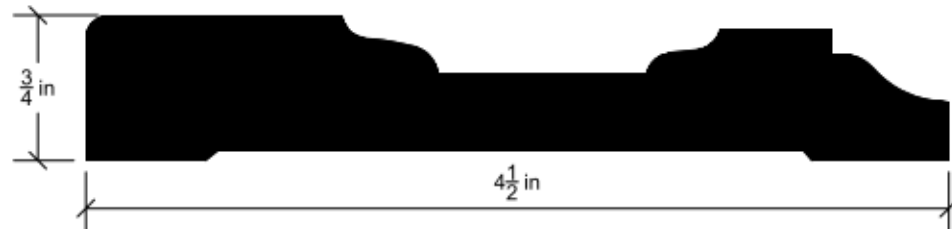
cas450-001



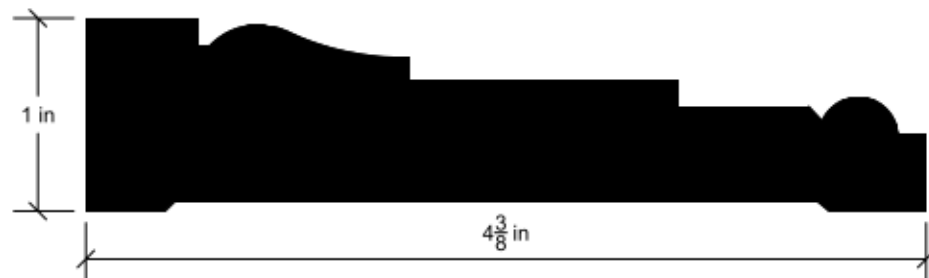
cas450-002

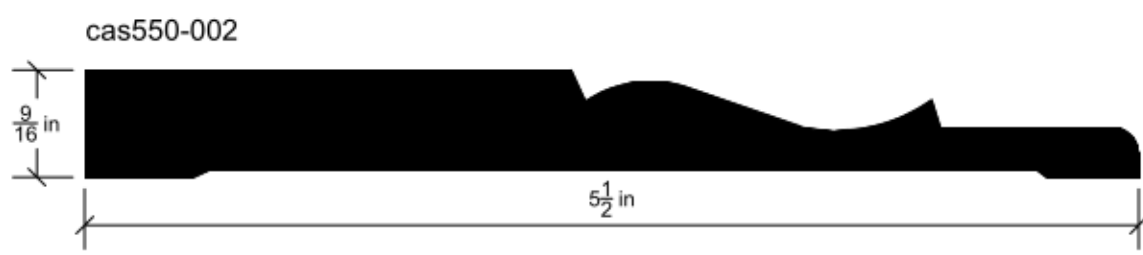
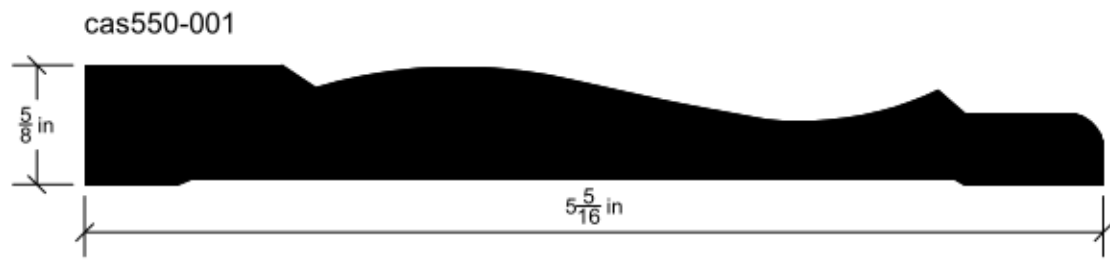
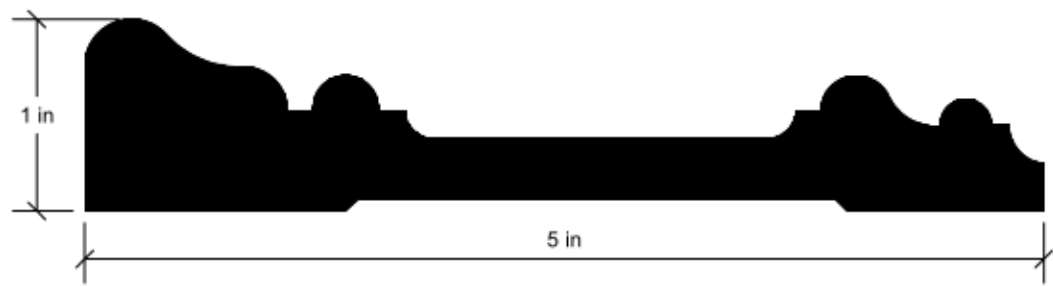
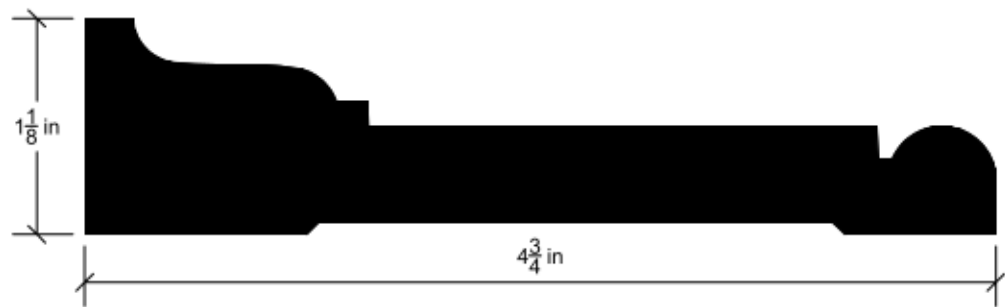
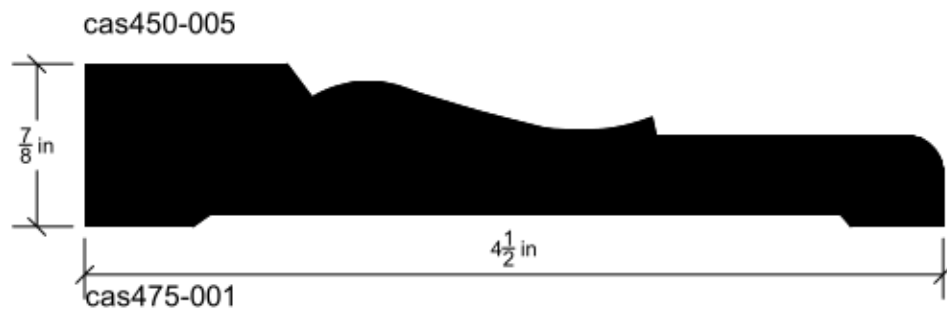


cas450-003

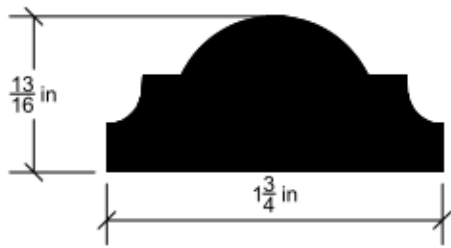


cas450-004

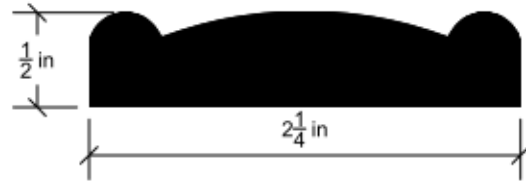




chr175-001



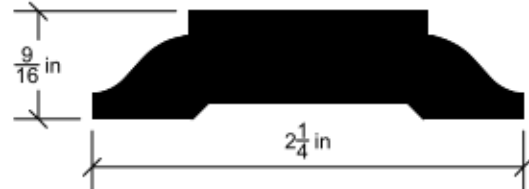
chr225-001



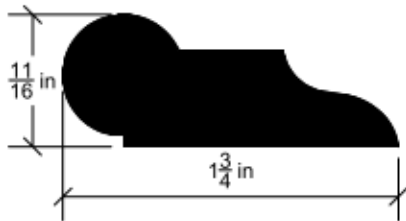
chr175-002



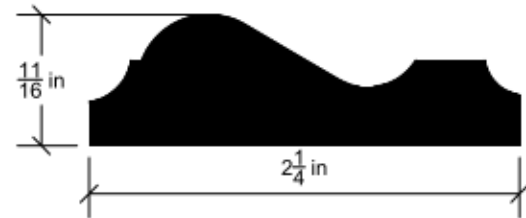
chr225-002



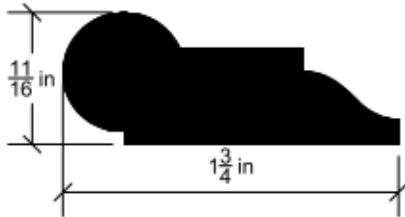
chr175-003



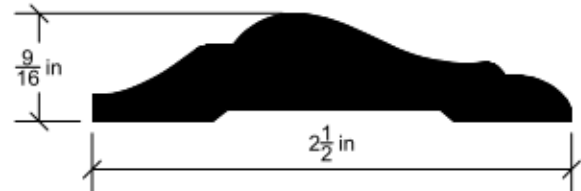
chr225-003



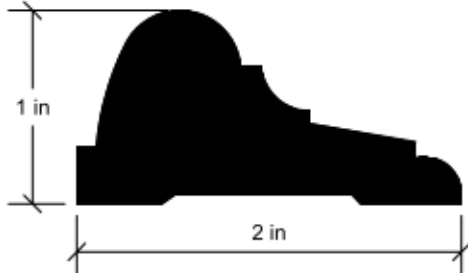
chr175-004



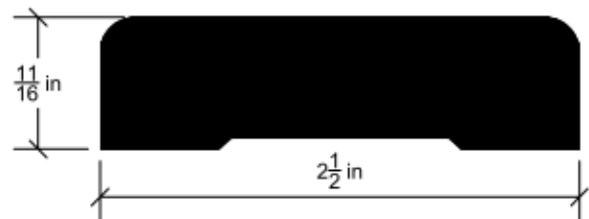
chr250-001



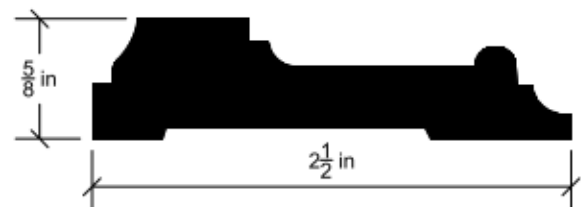
chr200-001



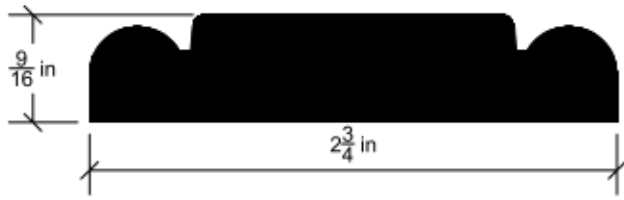
chr250-002



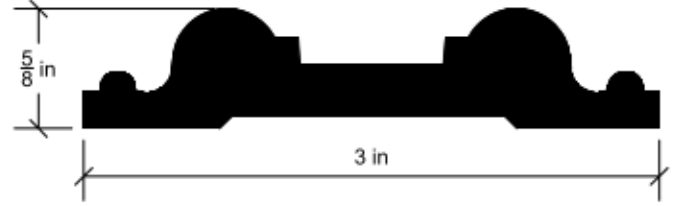
chr250-003



chr275-001



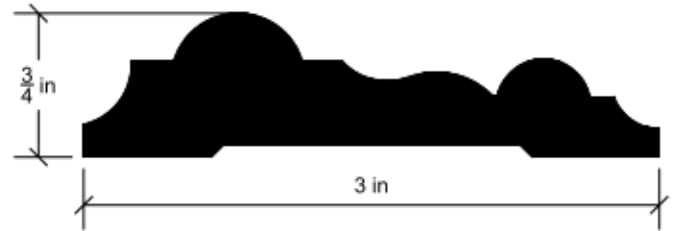
chr300-001



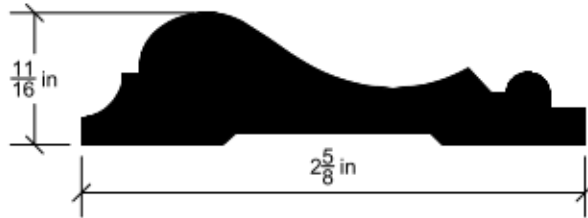
chr275-002



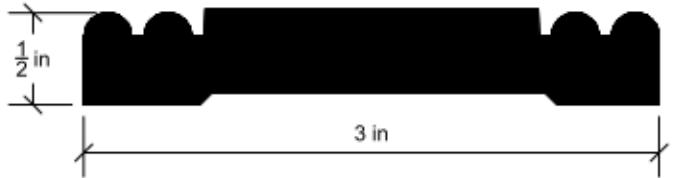
chr300-002



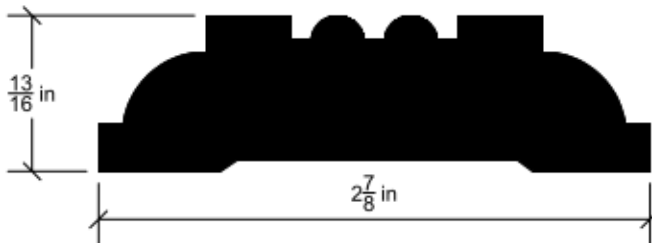
chr275-003



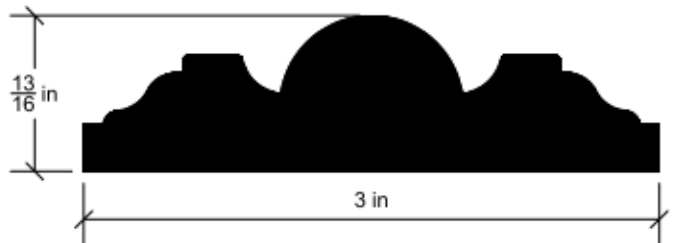
chr300-003



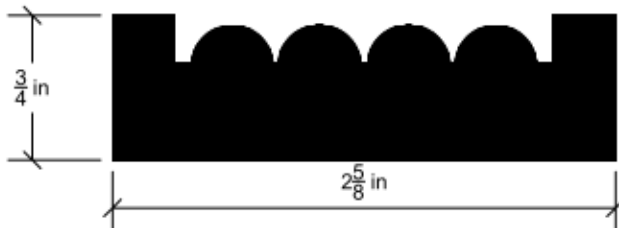
chr275-004



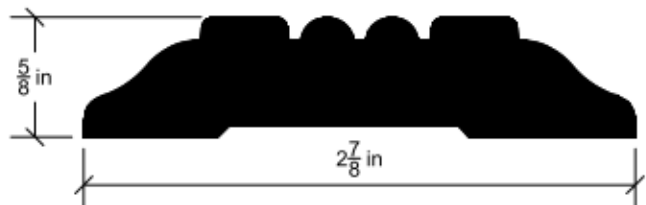
chr300-004



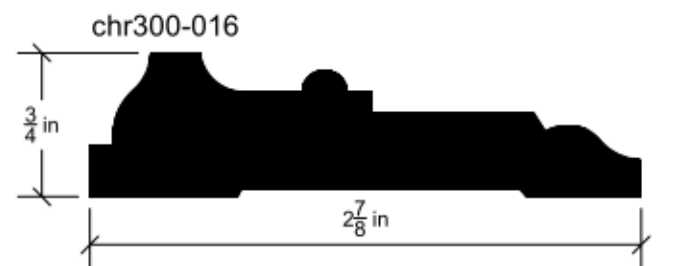
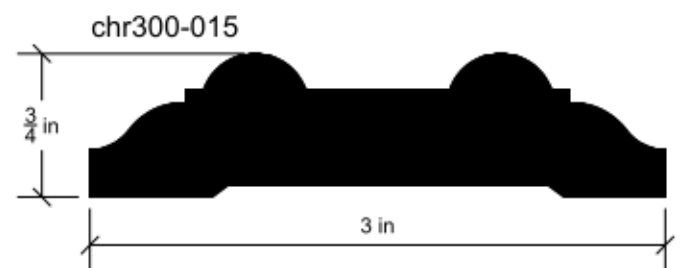
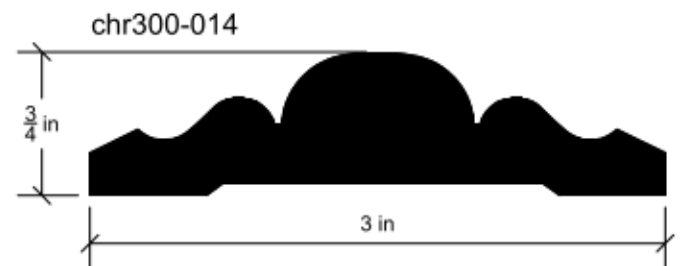
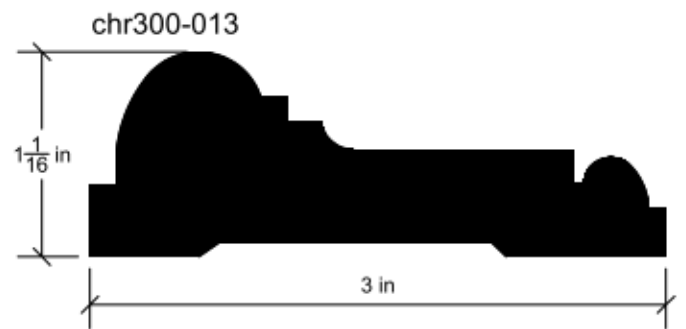
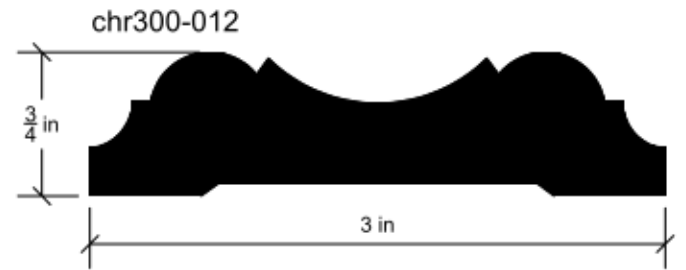
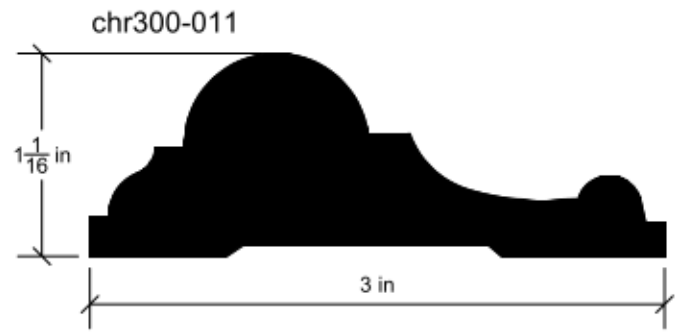
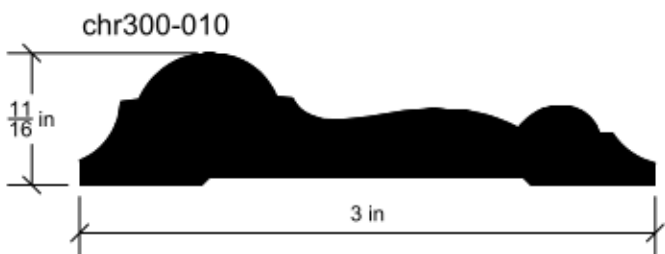
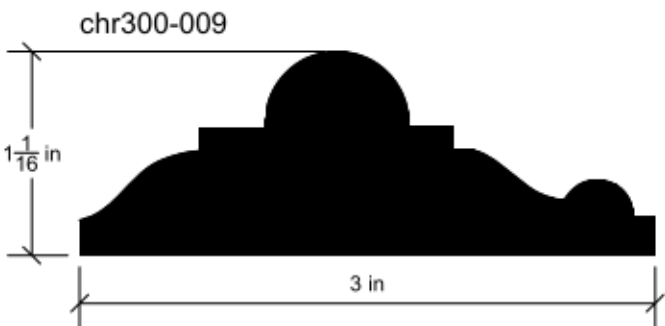
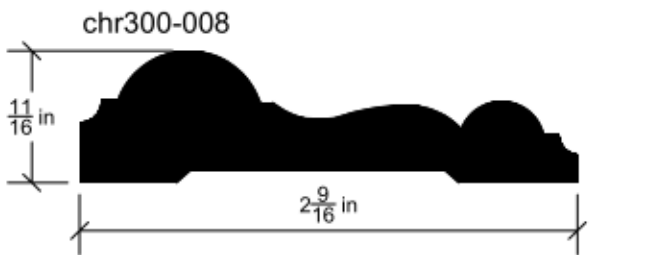
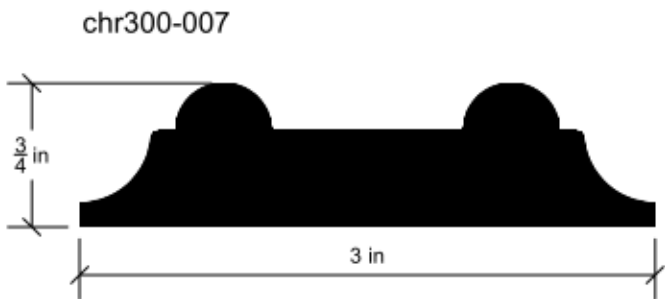
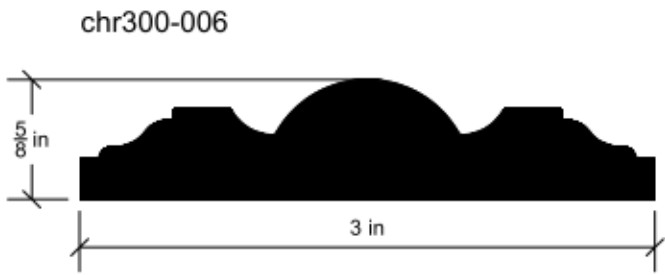
chr275-005



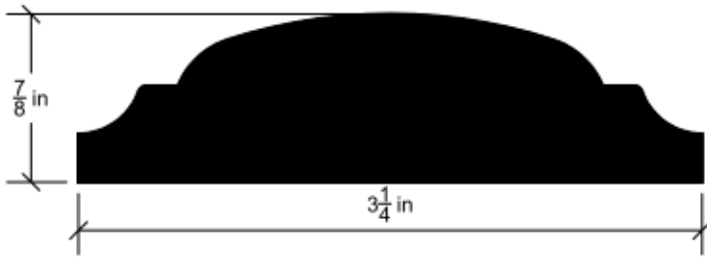
chr300-005



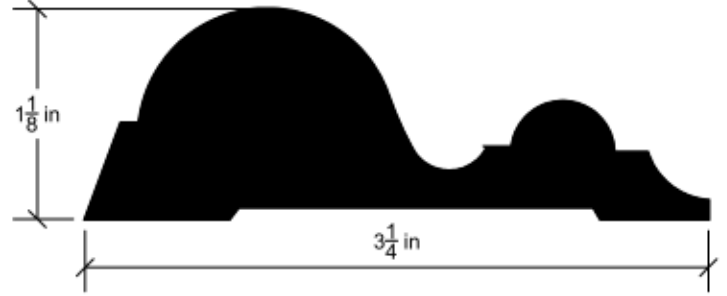




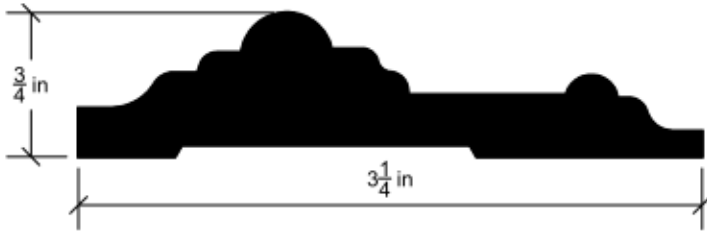
chr325-001



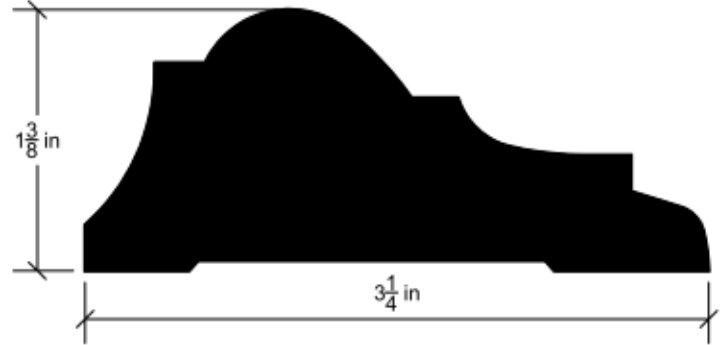
chr325-006



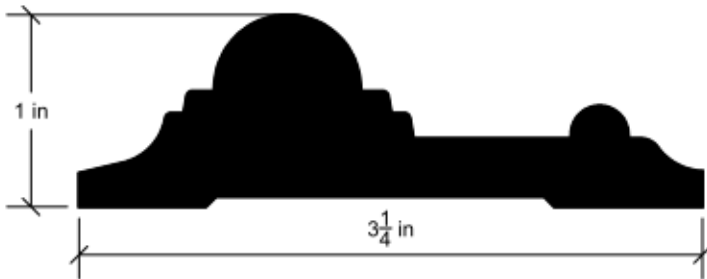
chr325-002



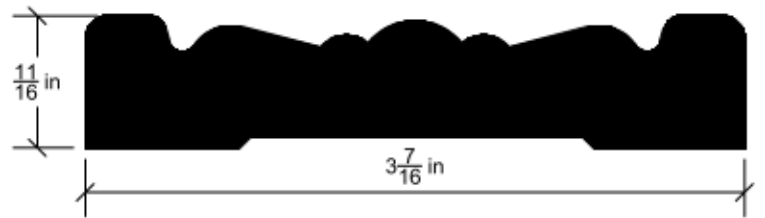
chr325-007



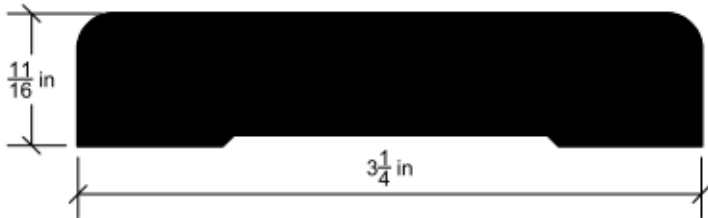
chr325-003



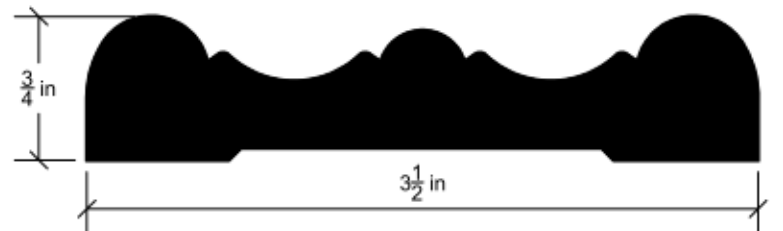
chr350-001



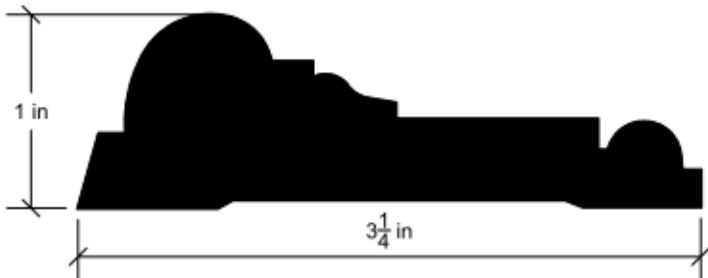
chr325-004



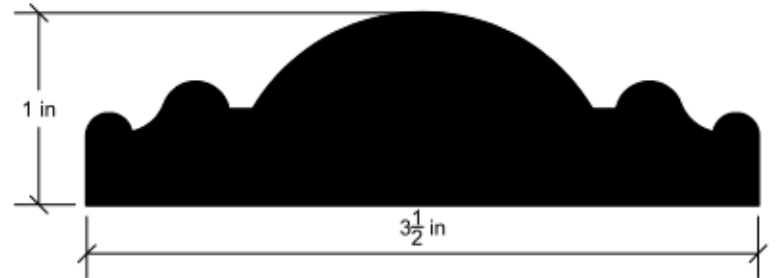
chr350-002



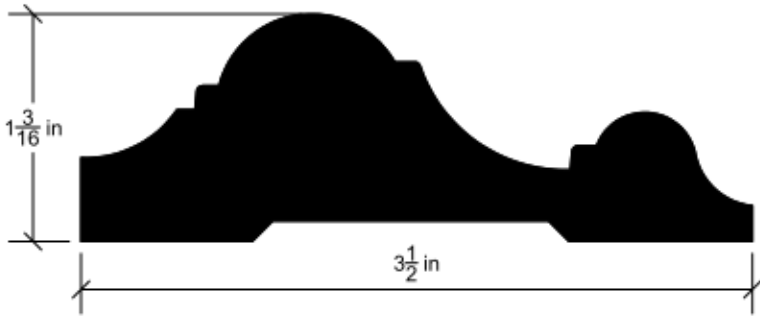
chr325-005



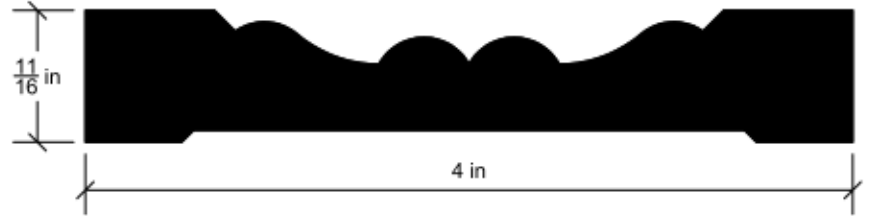
chr350-003



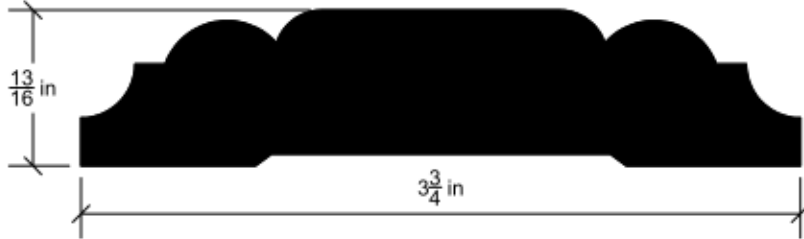
chr350-004



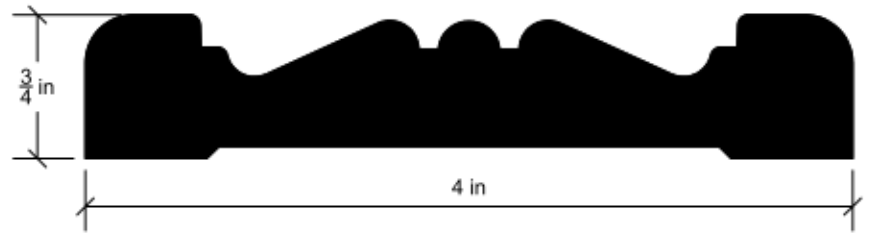
chr400-002



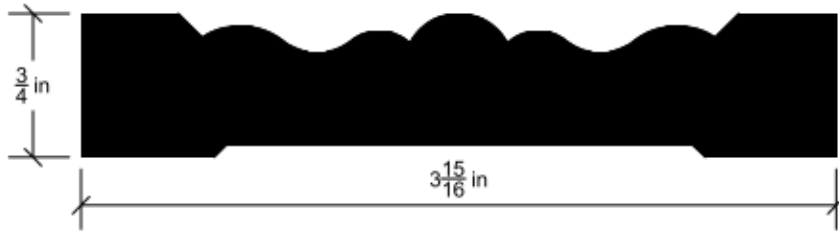
chr375-001



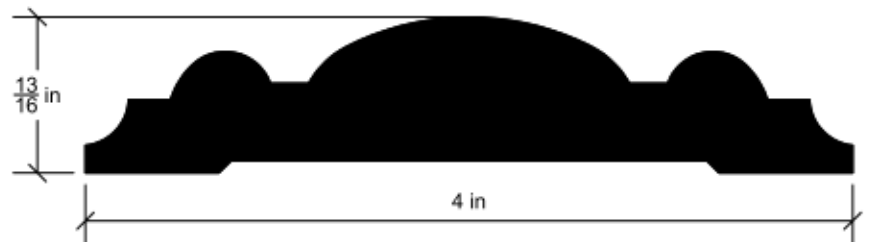
chr400-003



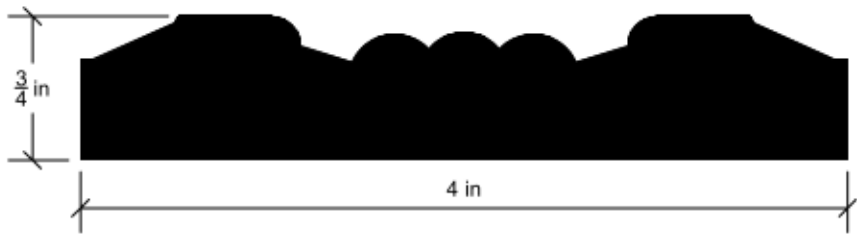
chr400-001



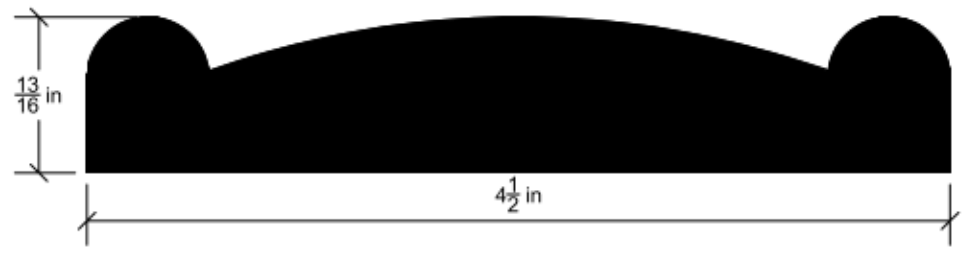
chr400-004



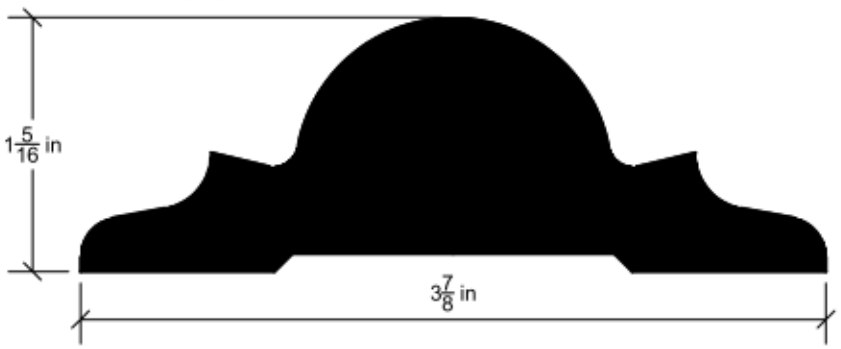
chr400-005



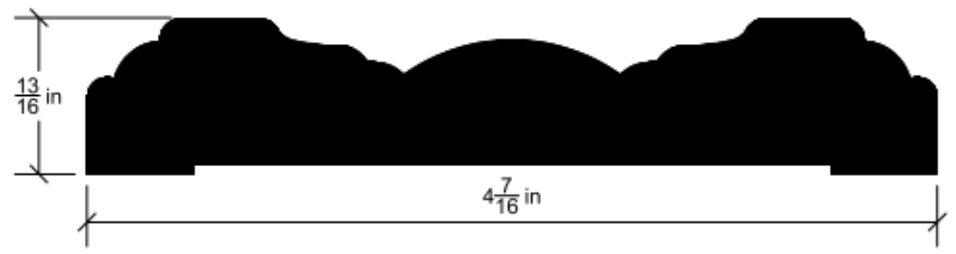
chr450-001



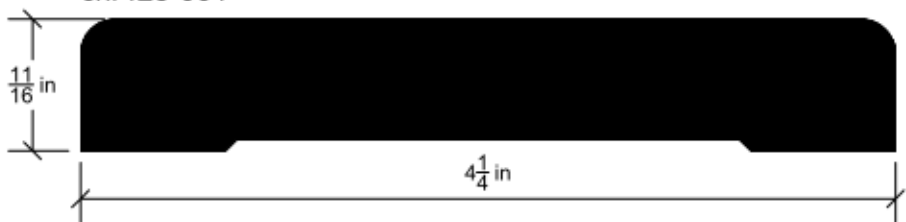
chr400-006



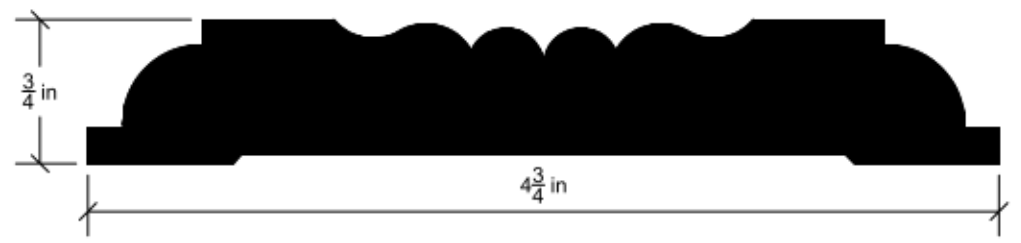
chr450-002

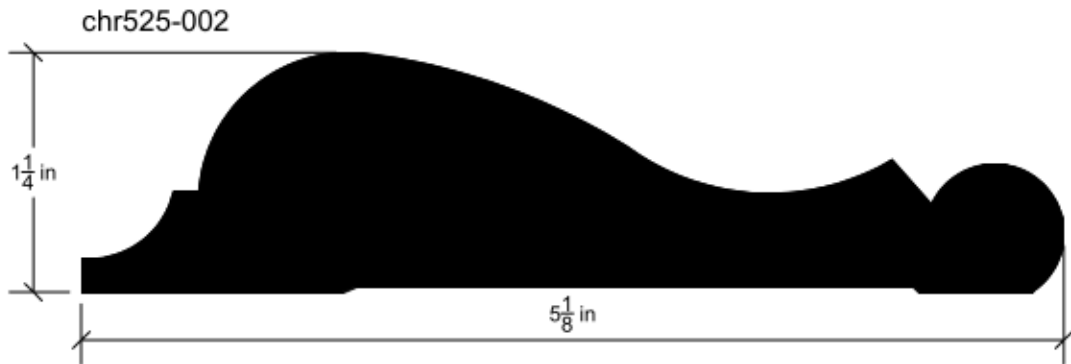
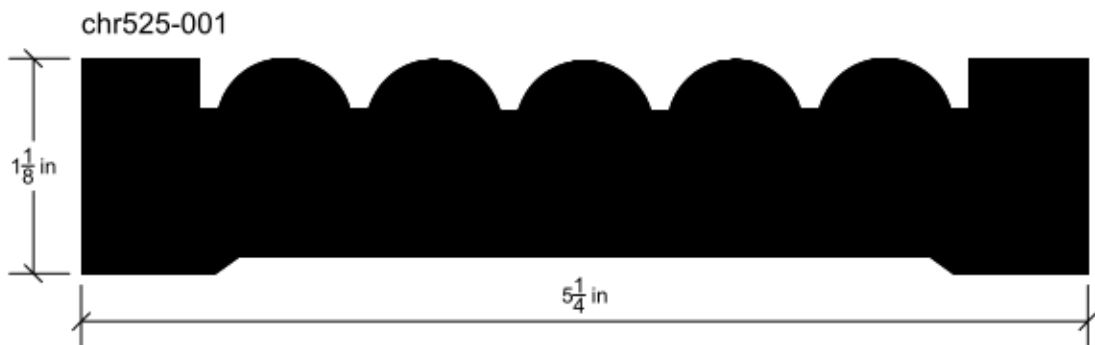
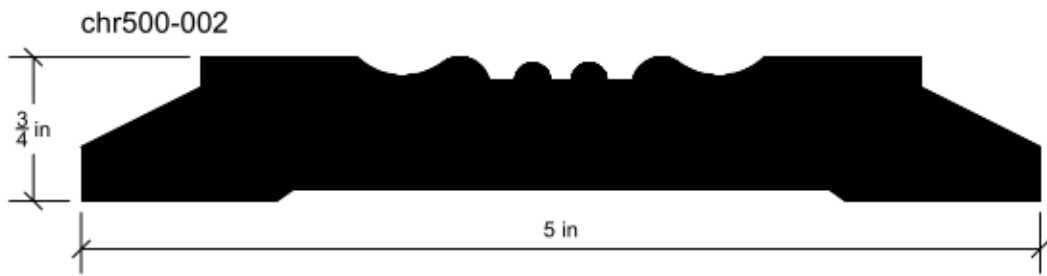
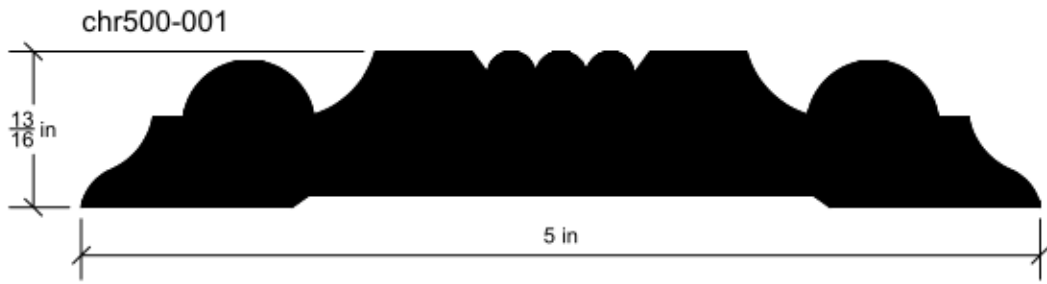


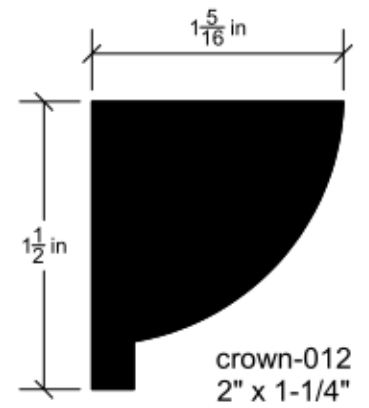
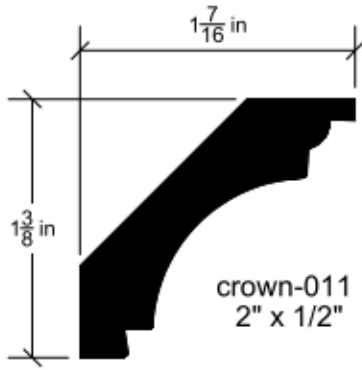
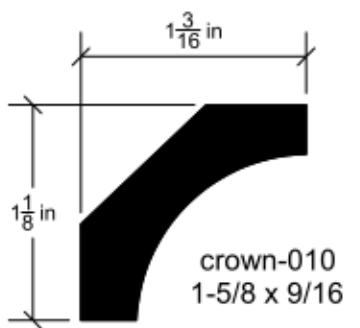
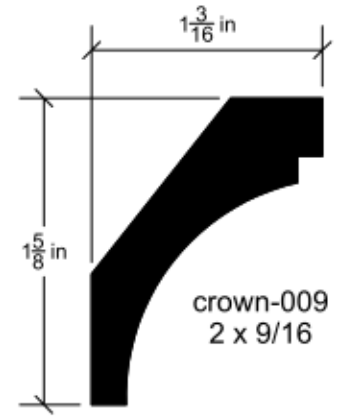
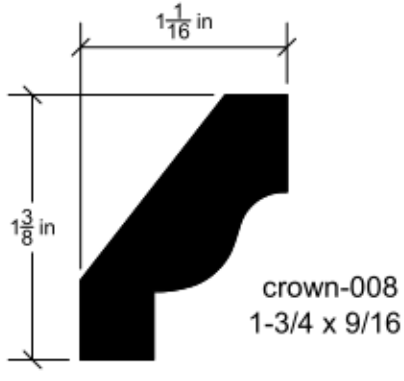
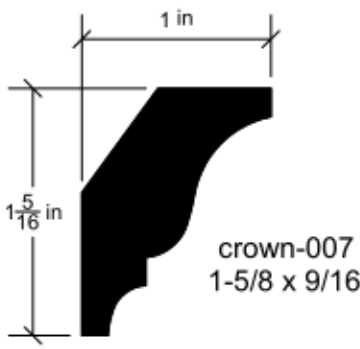
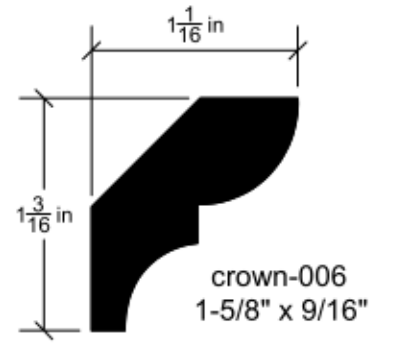
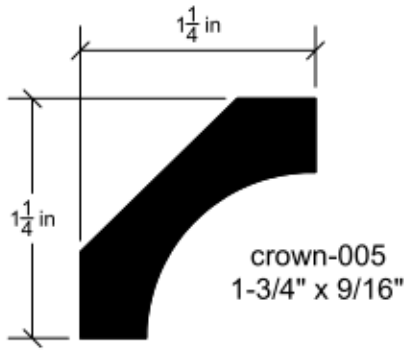
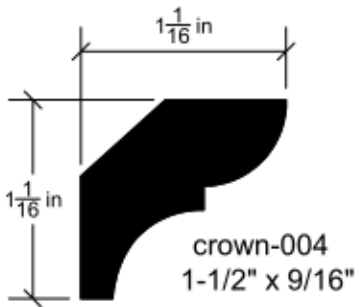
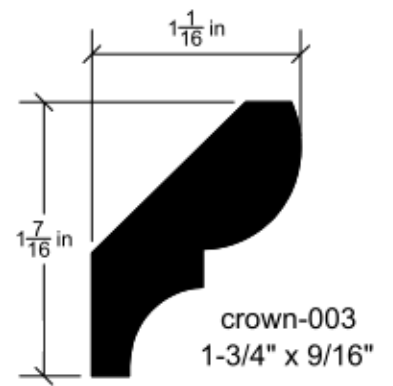
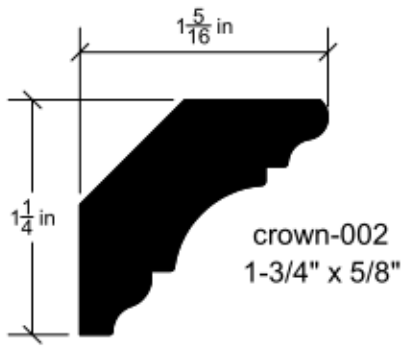
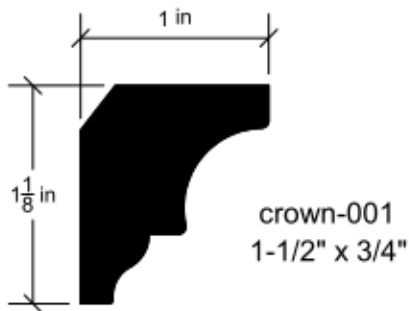
chr425-001

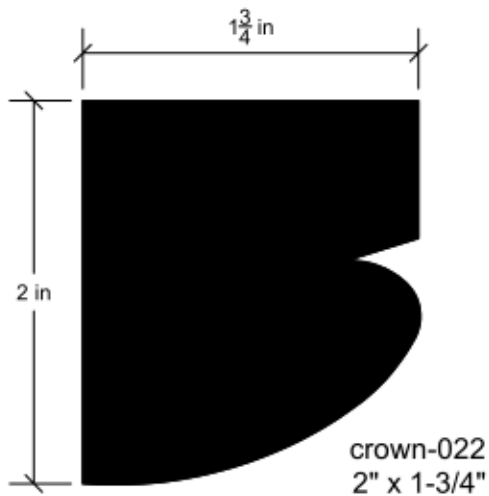
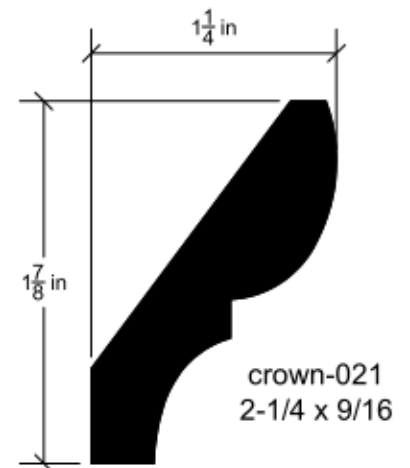
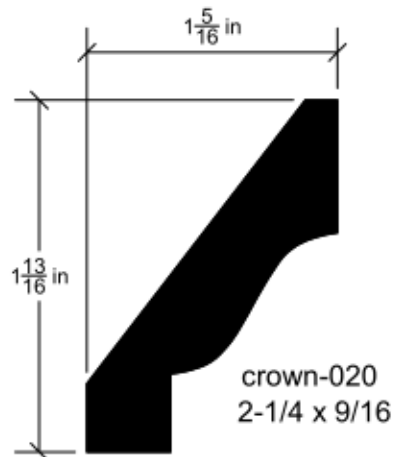
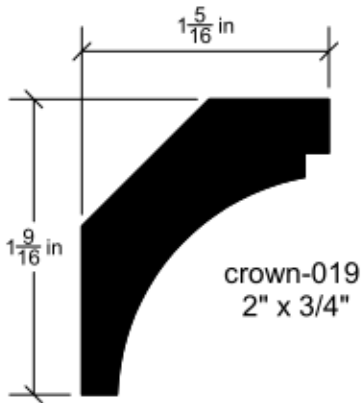
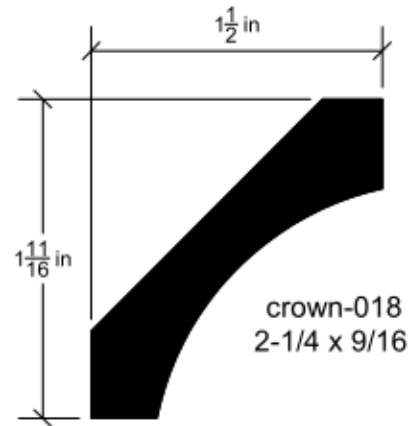
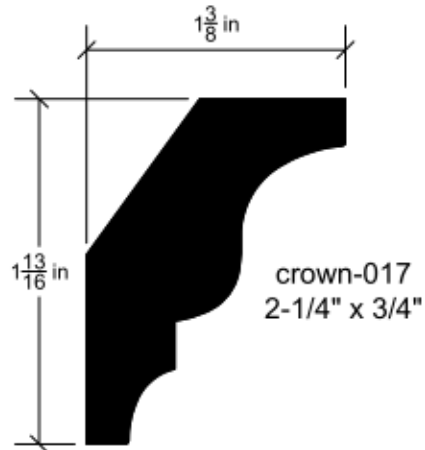
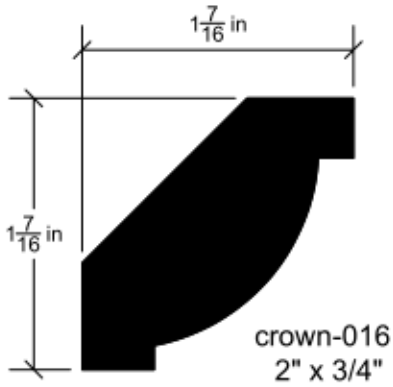
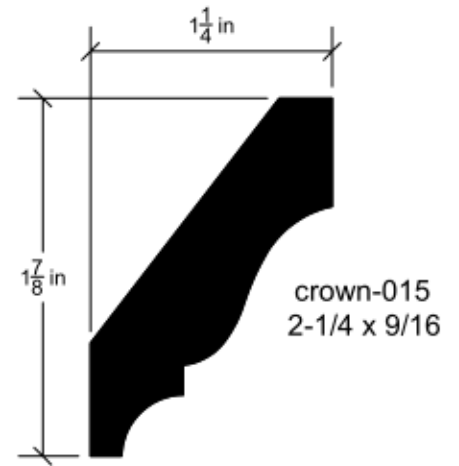
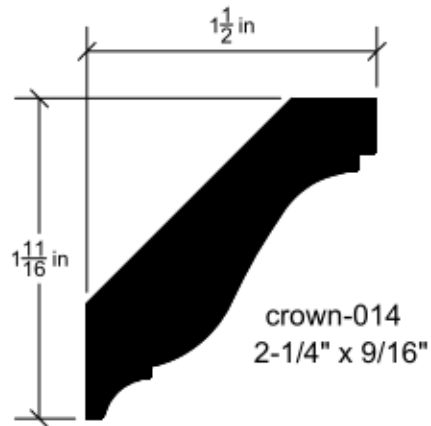
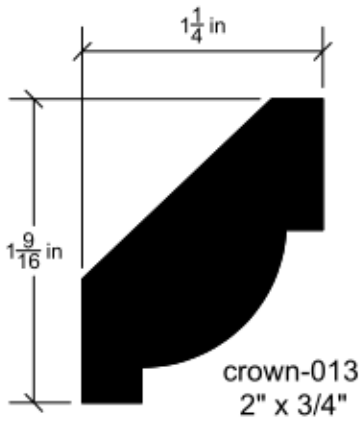


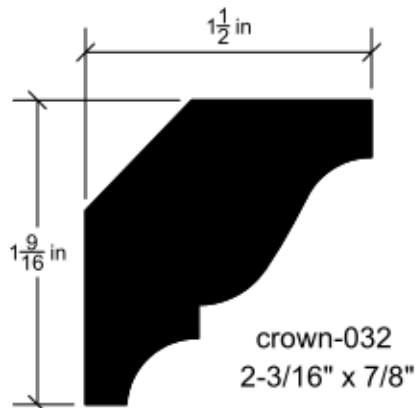
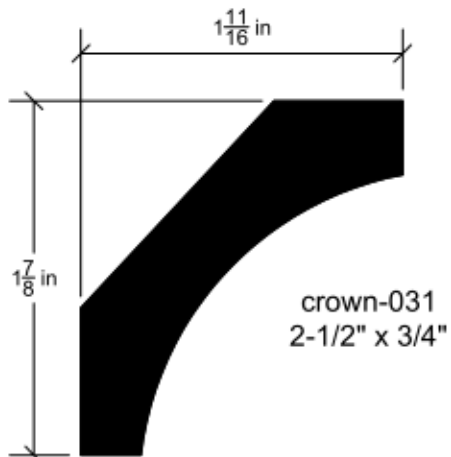
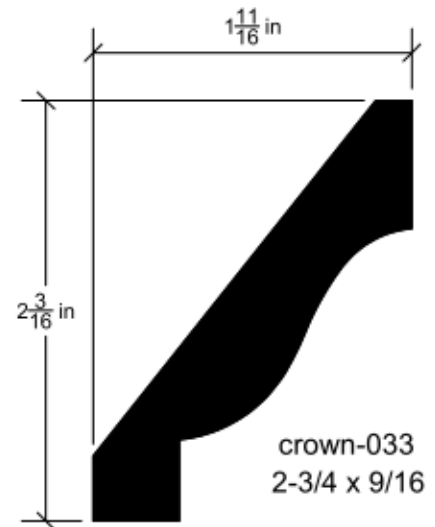
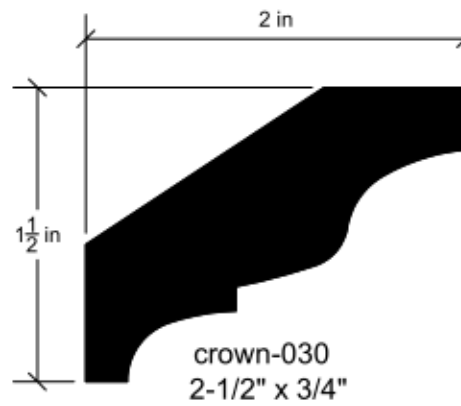
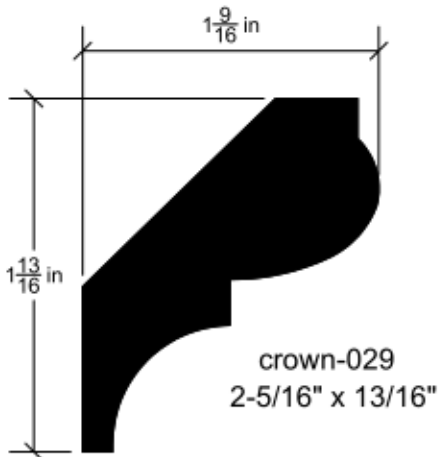
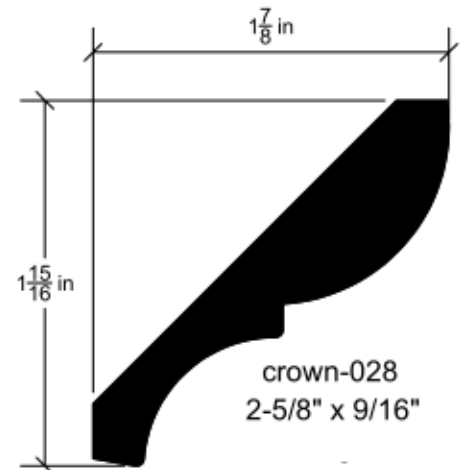
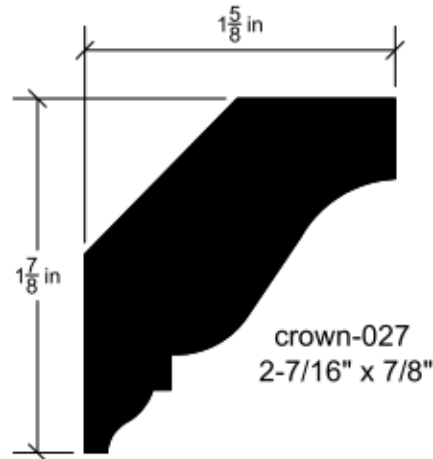
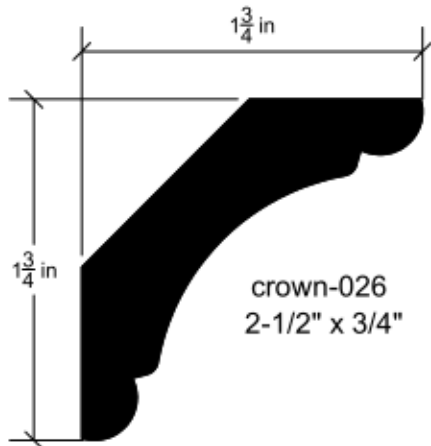
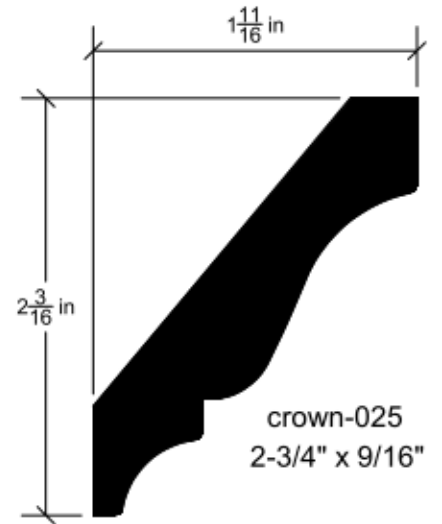
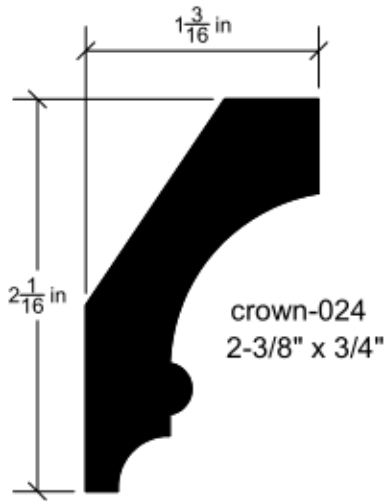
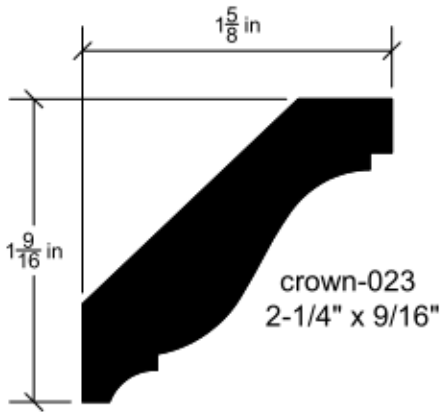
chr475-001



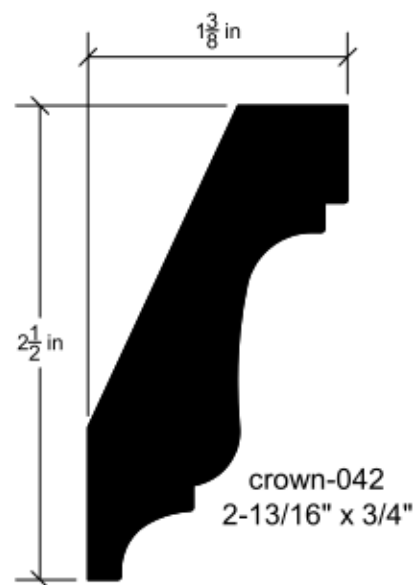
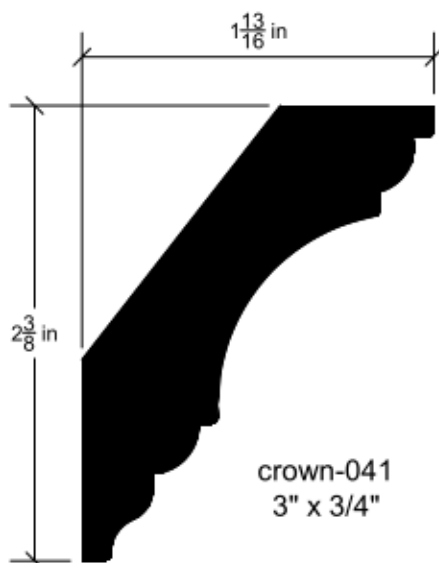
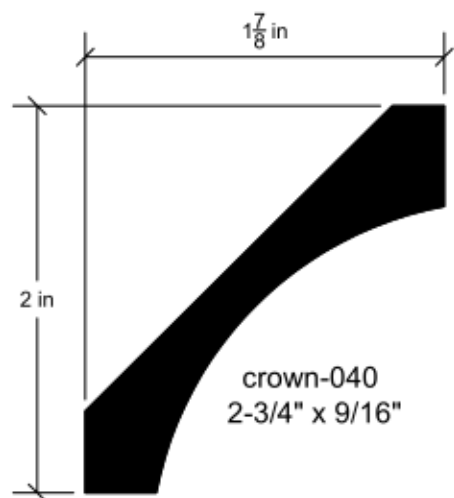
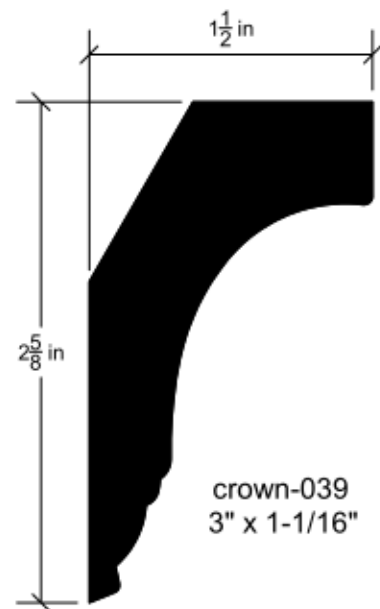
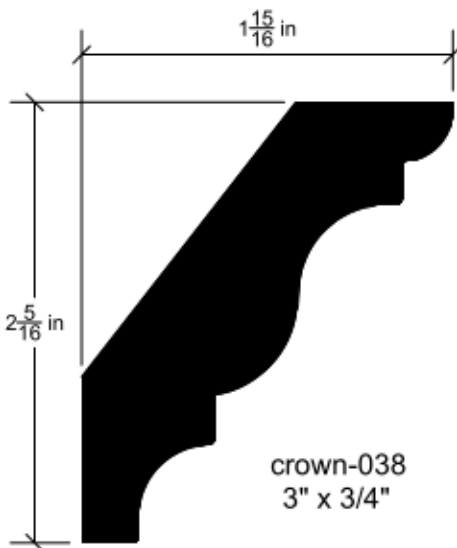
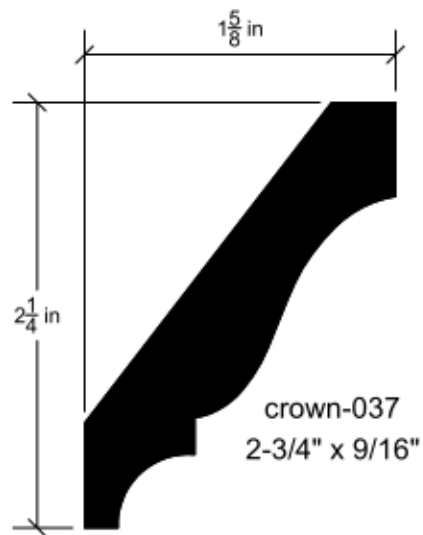
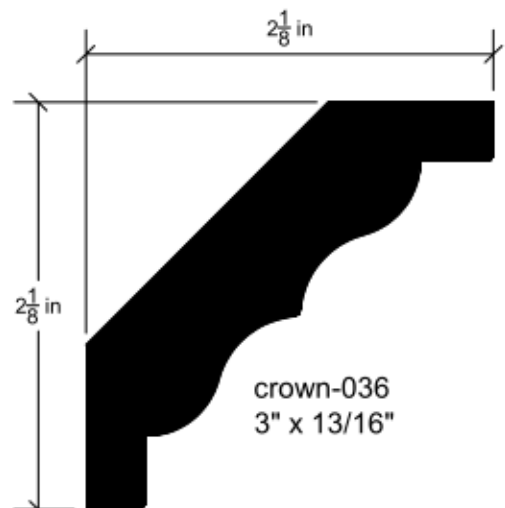
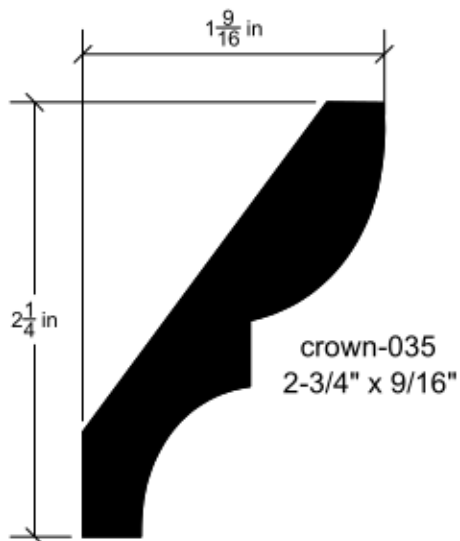
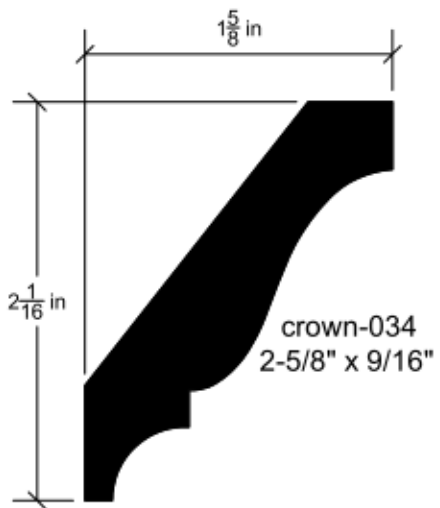


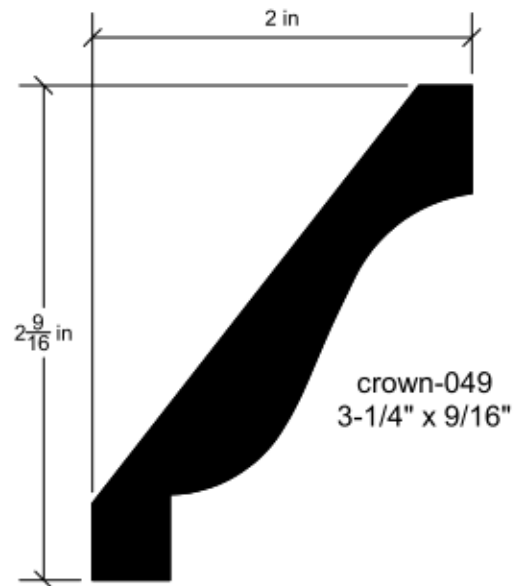
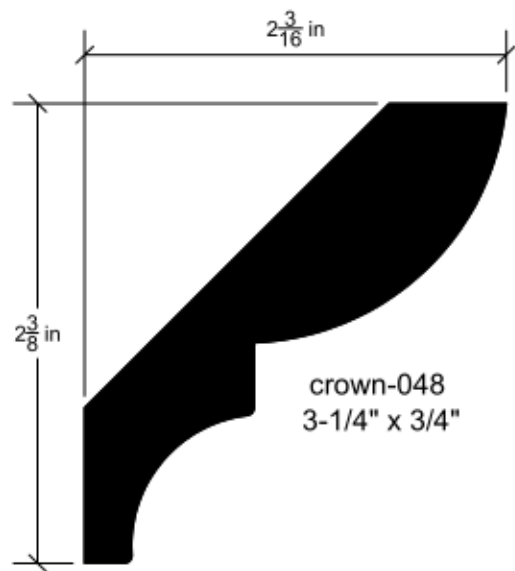
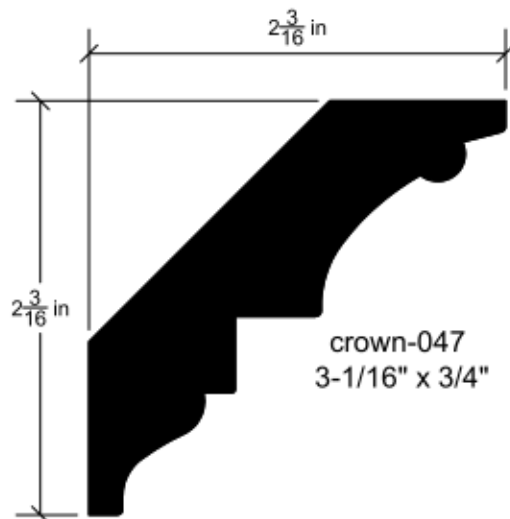
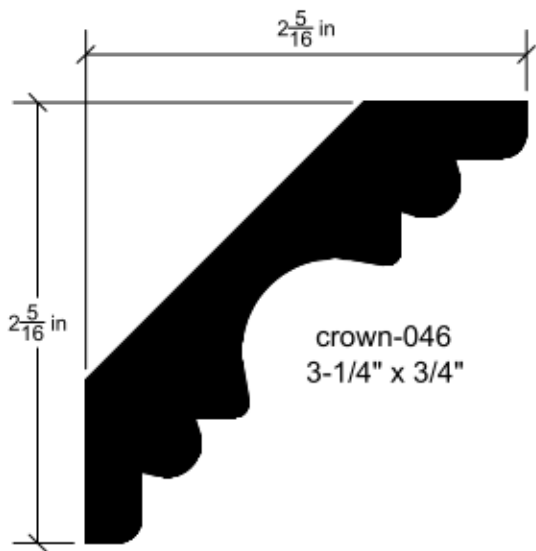
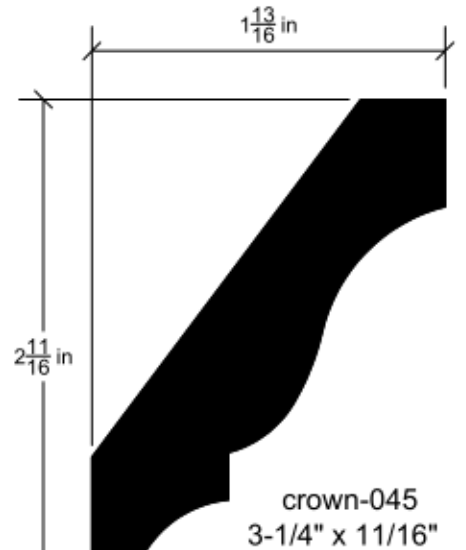
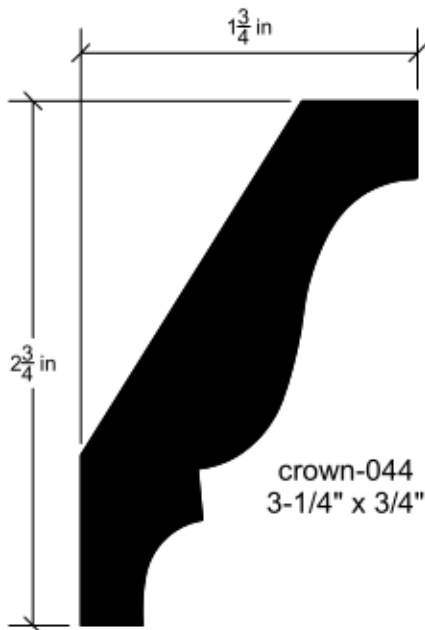
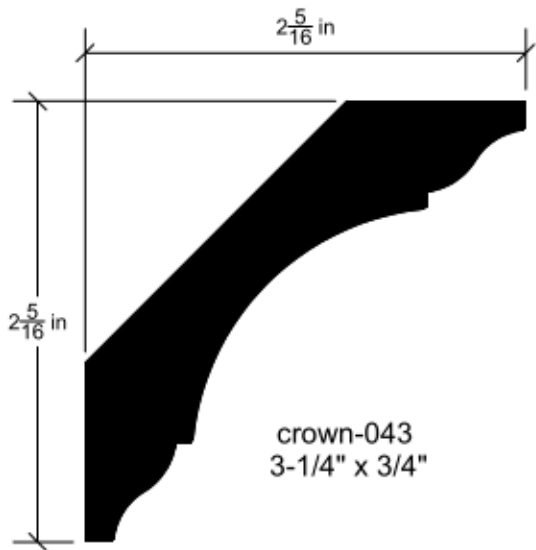


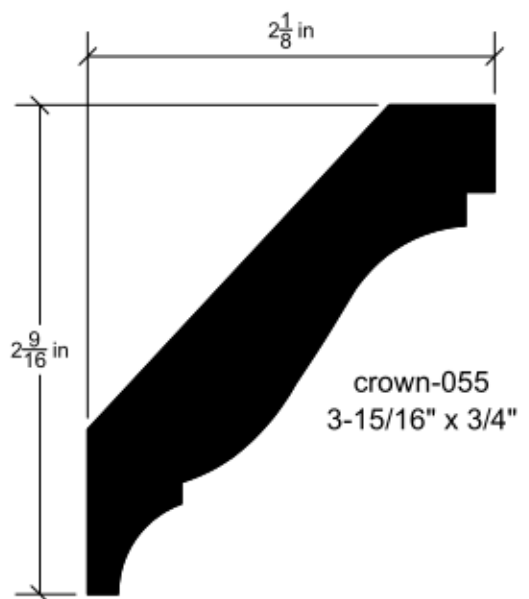
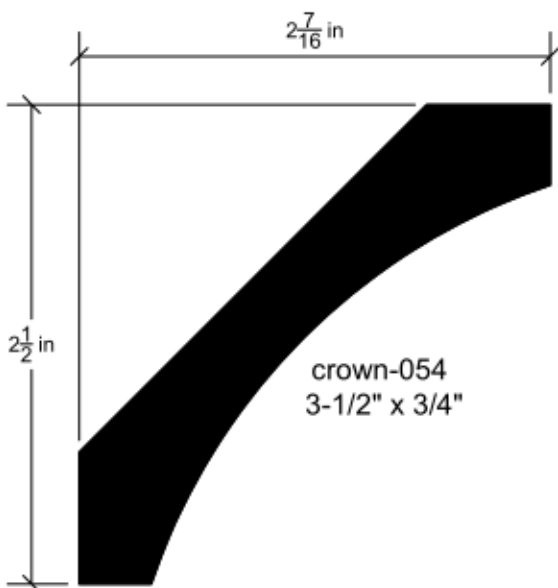
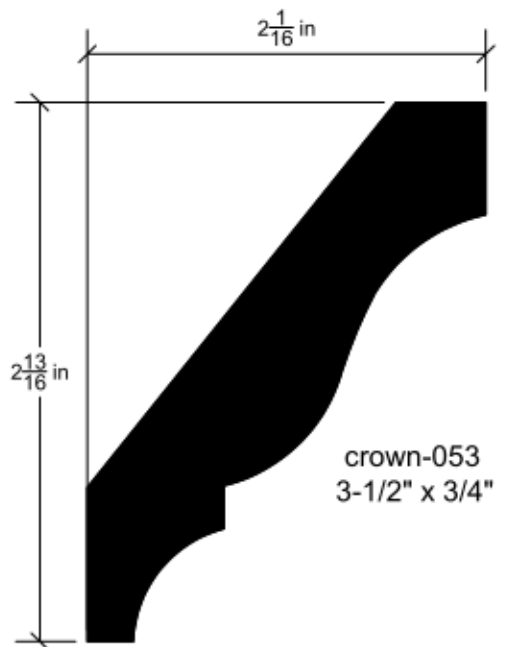
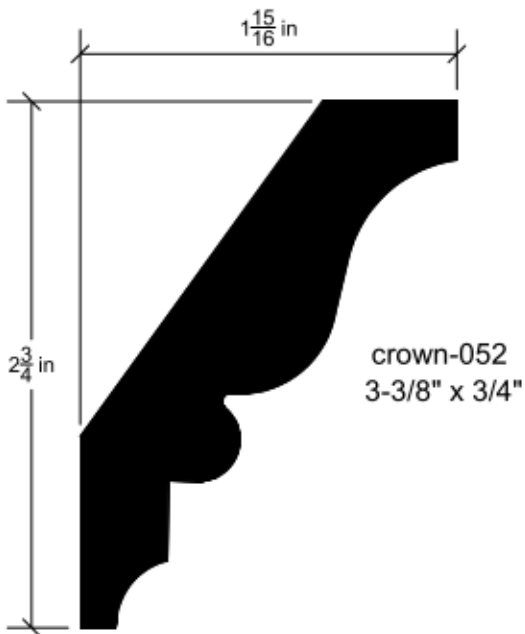
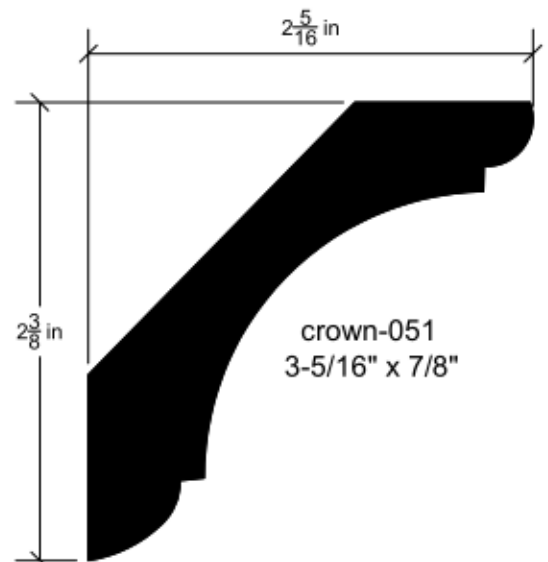
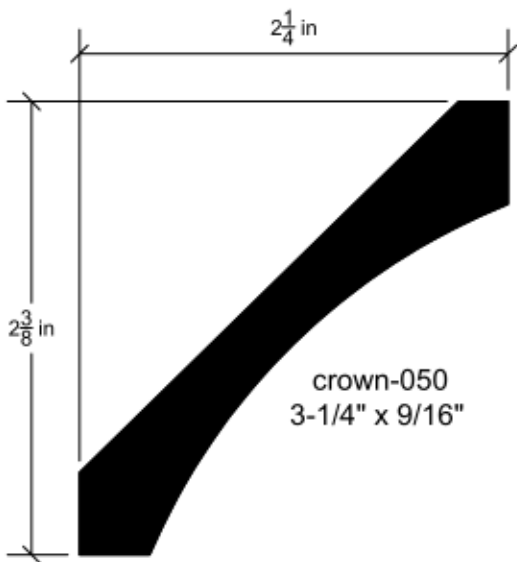


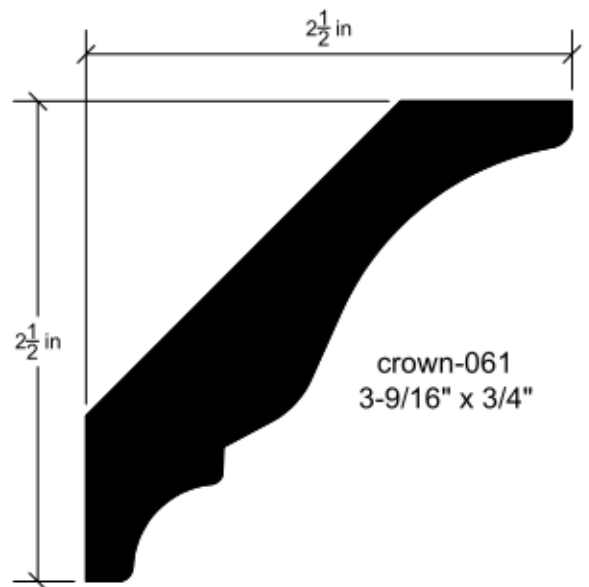
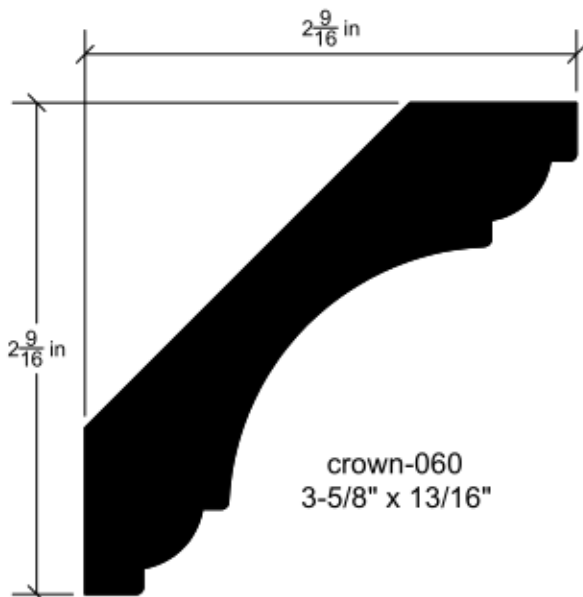
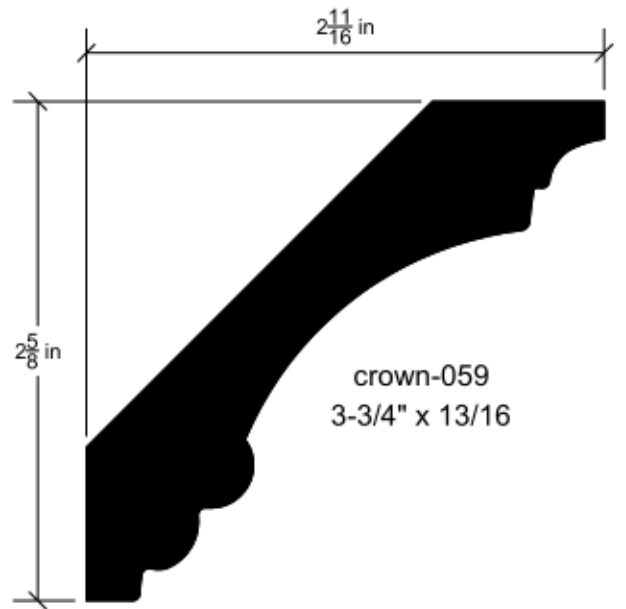
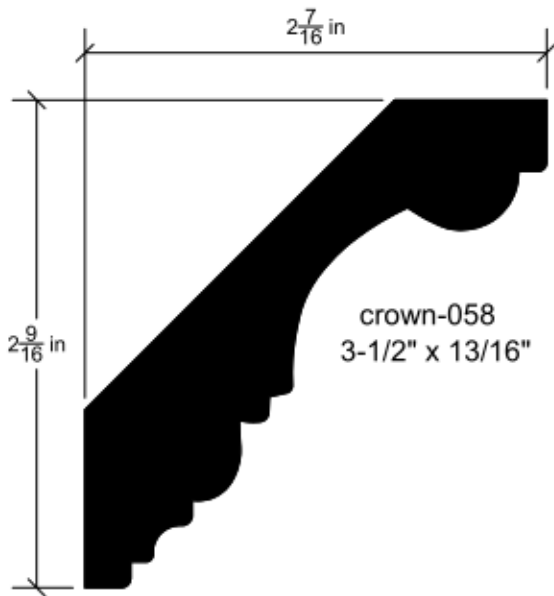
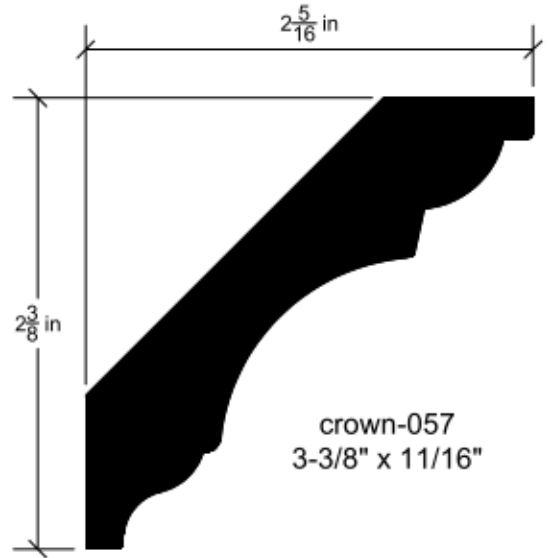
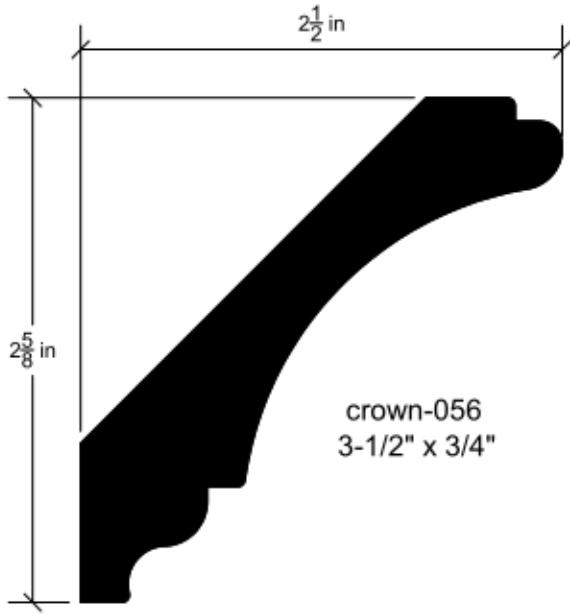


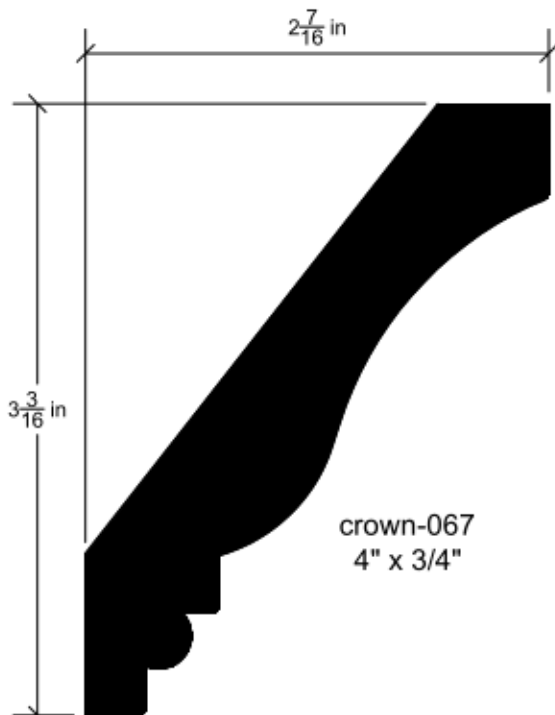
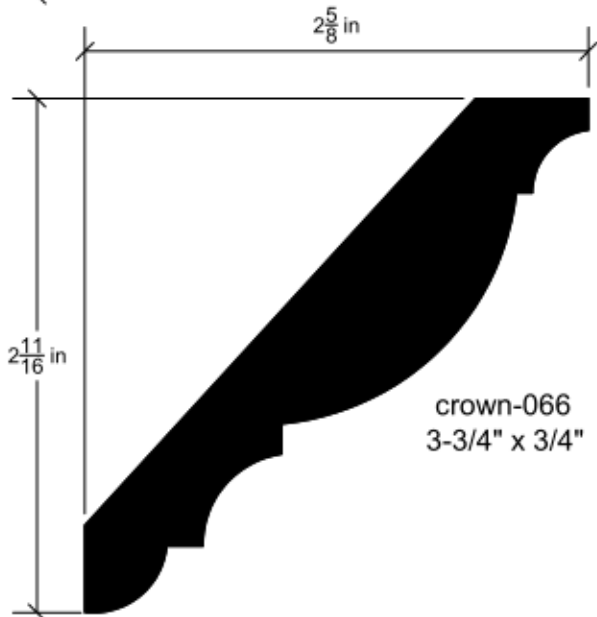
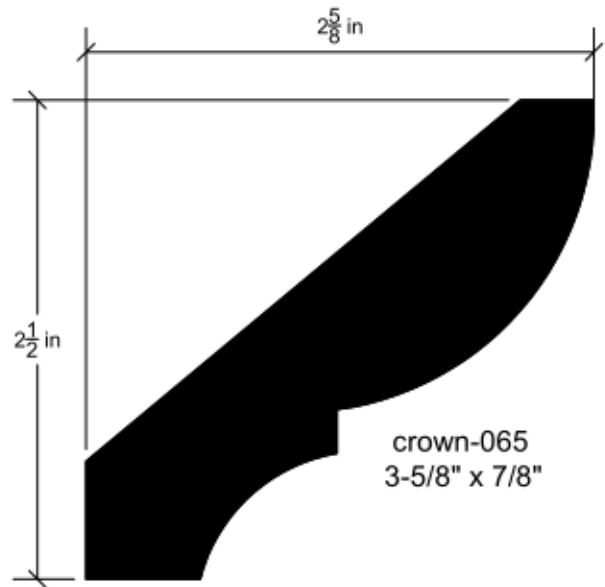
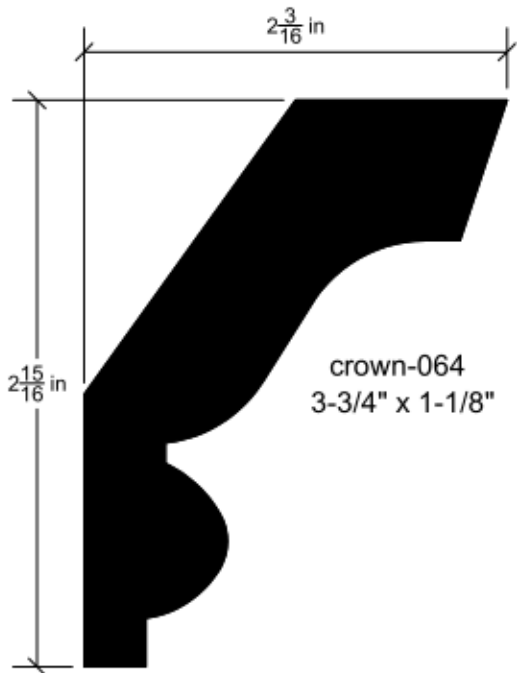
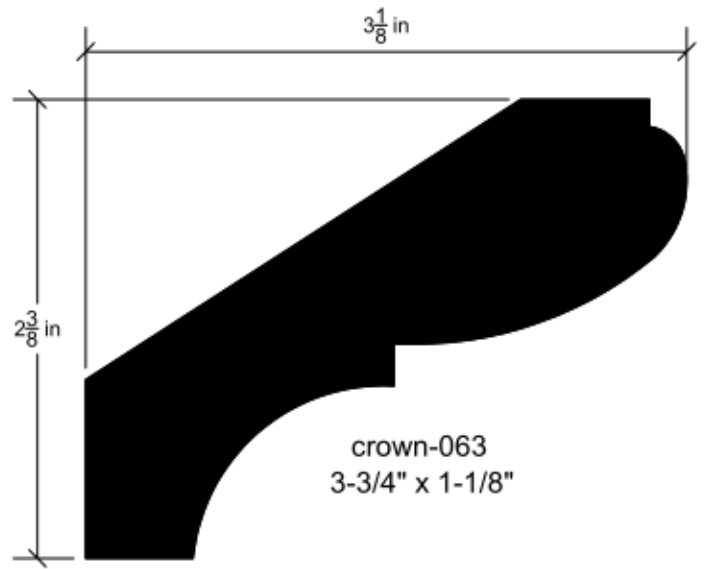
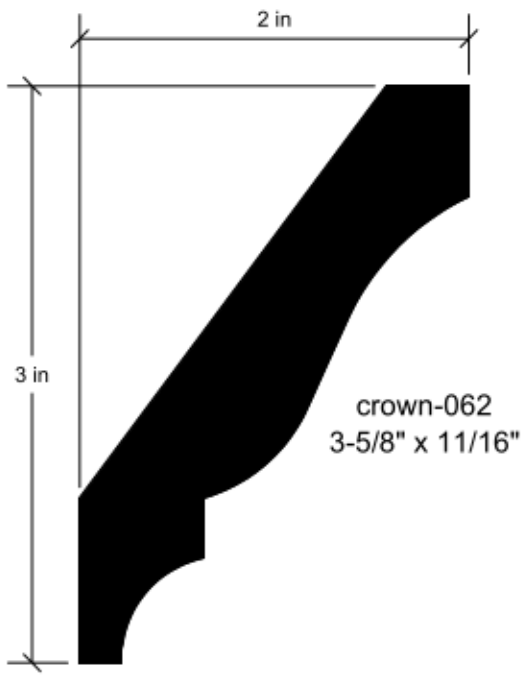


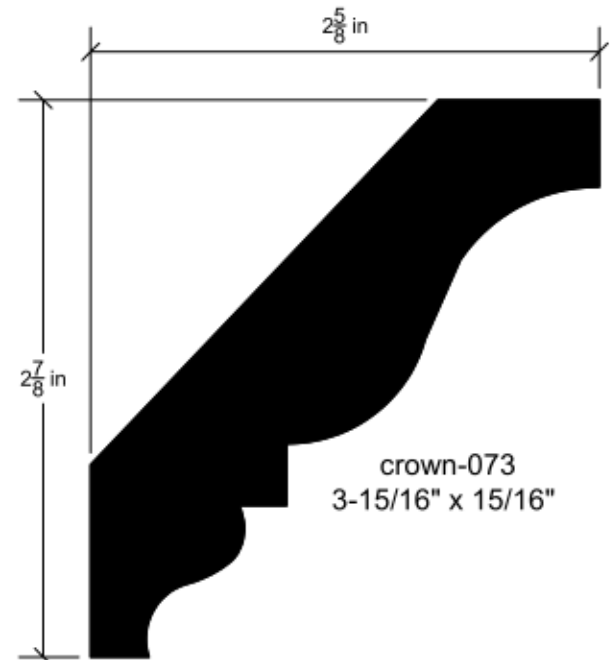
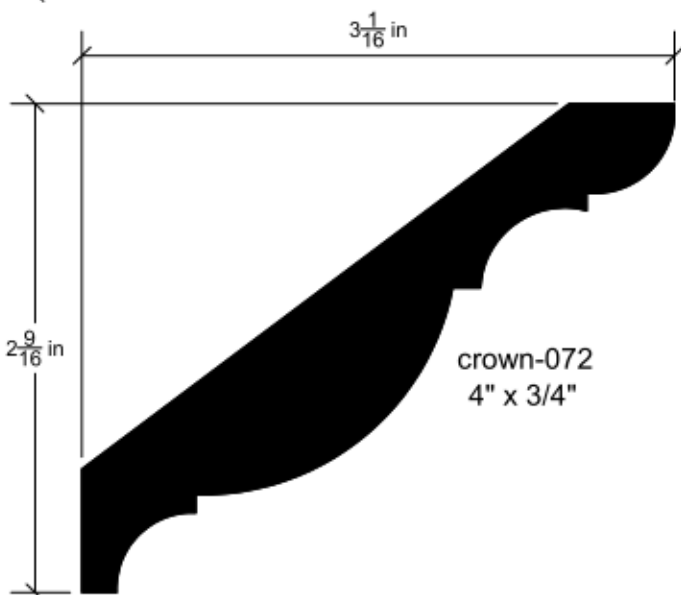
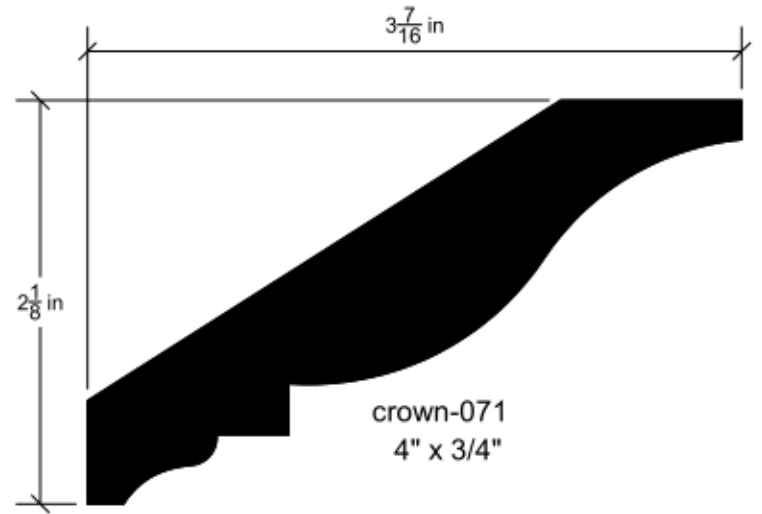
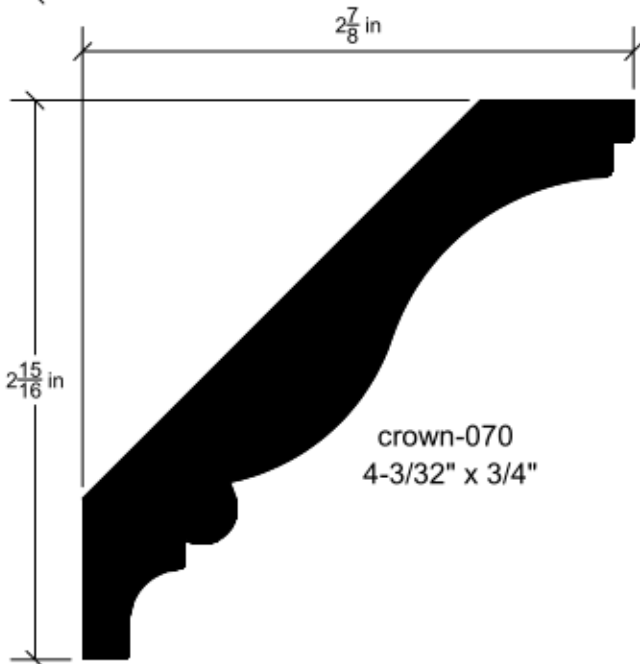
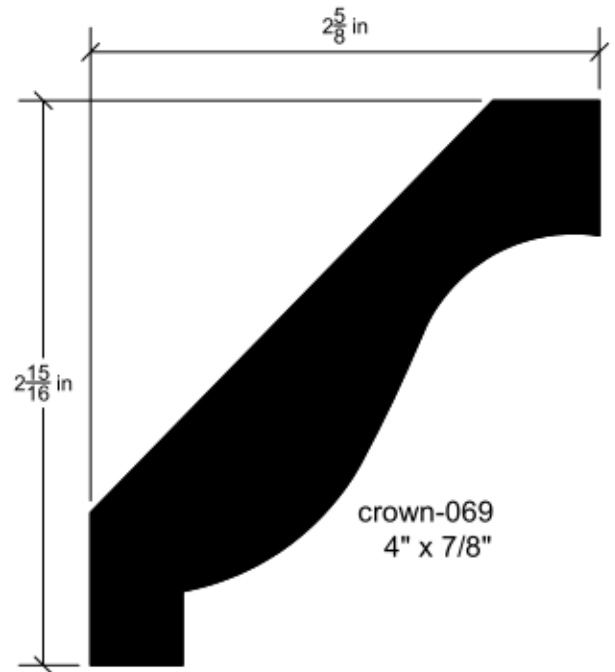
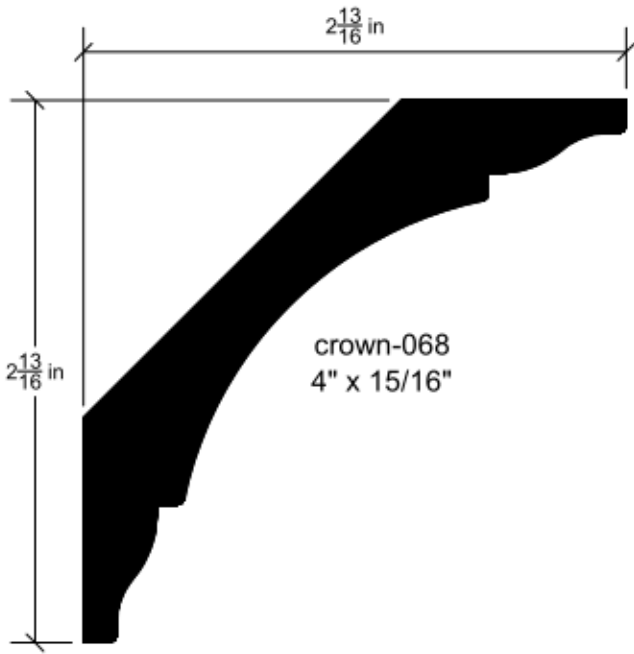


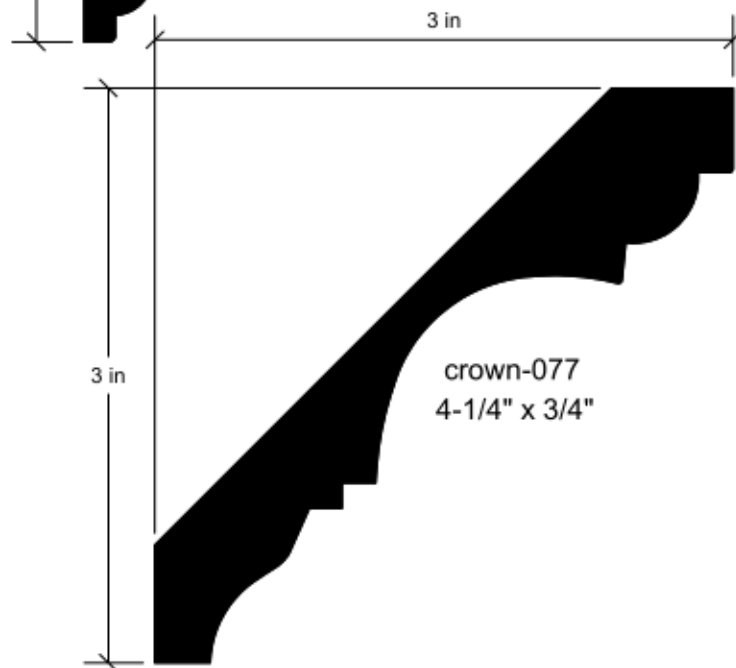
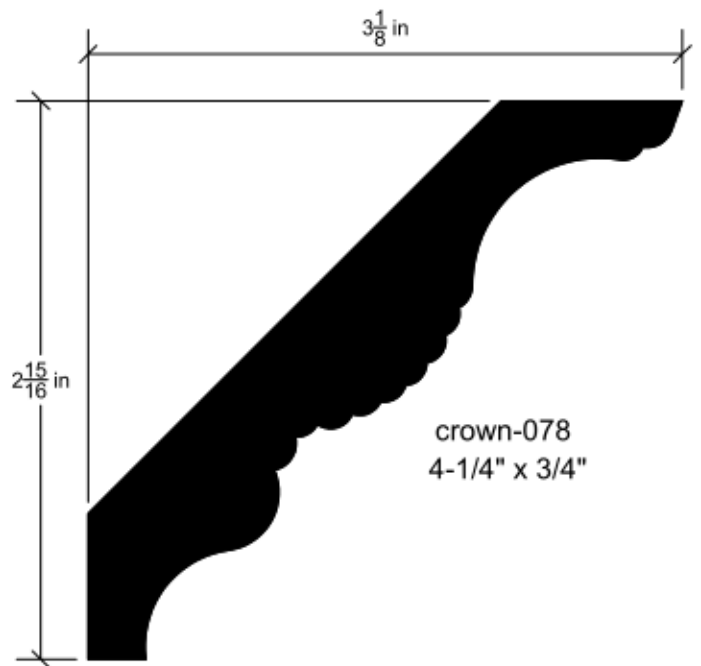
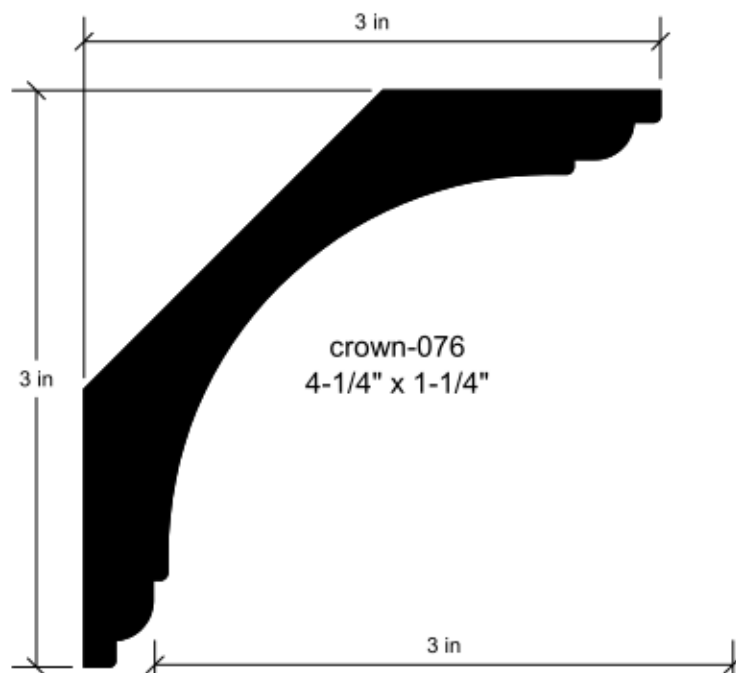
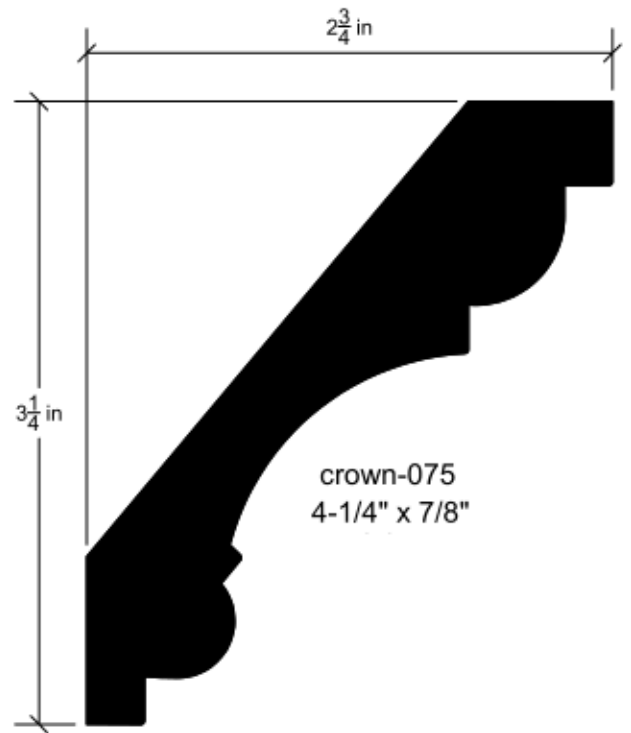
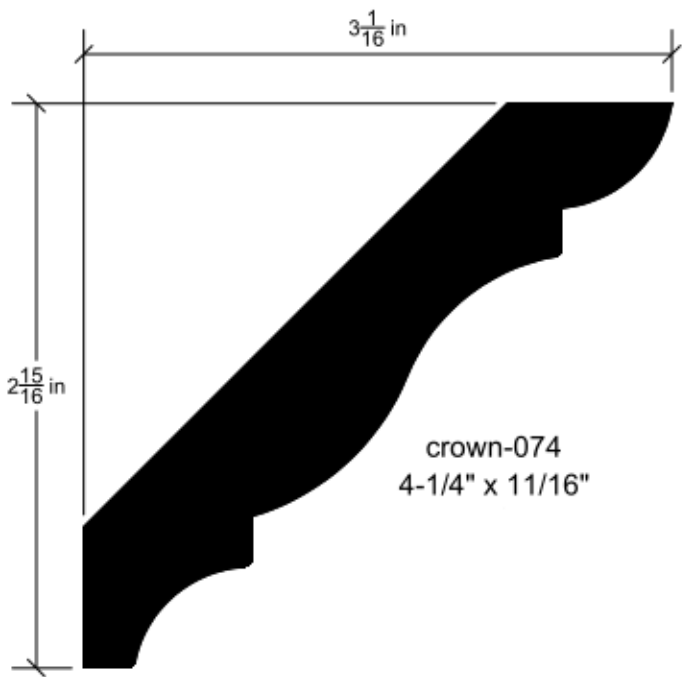


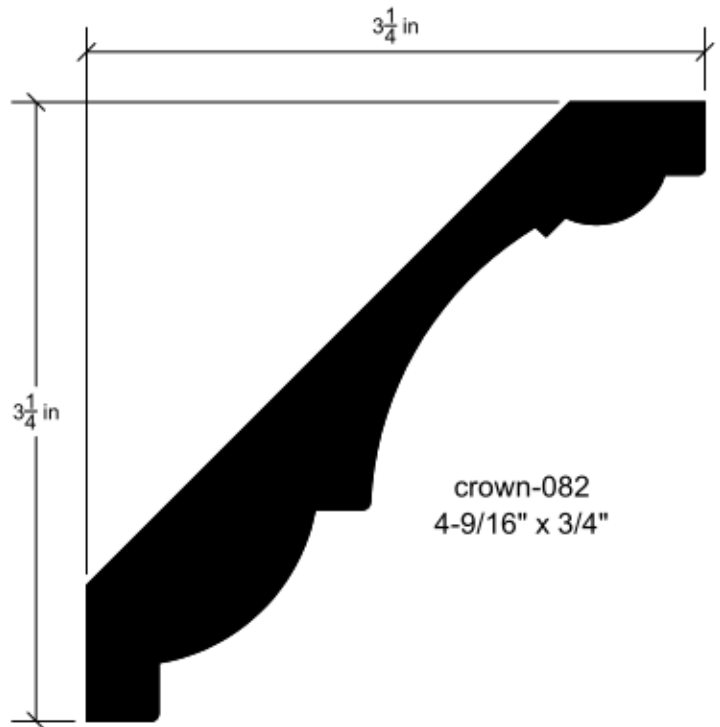
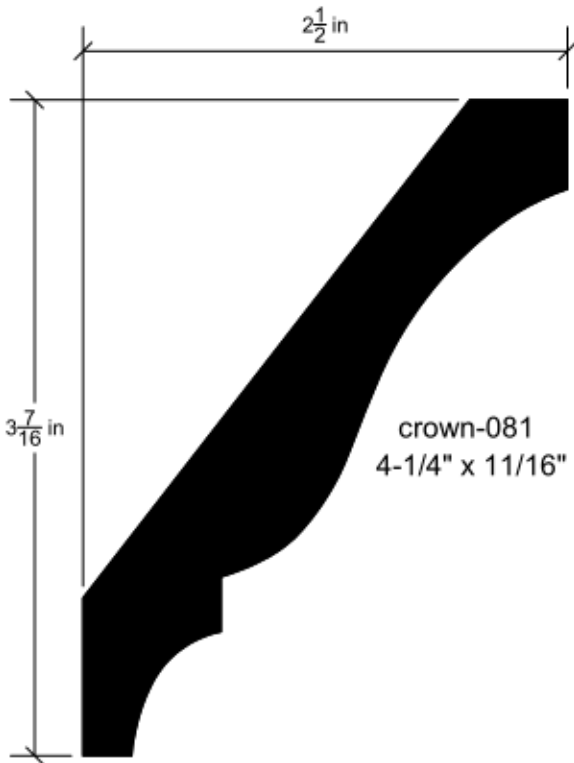
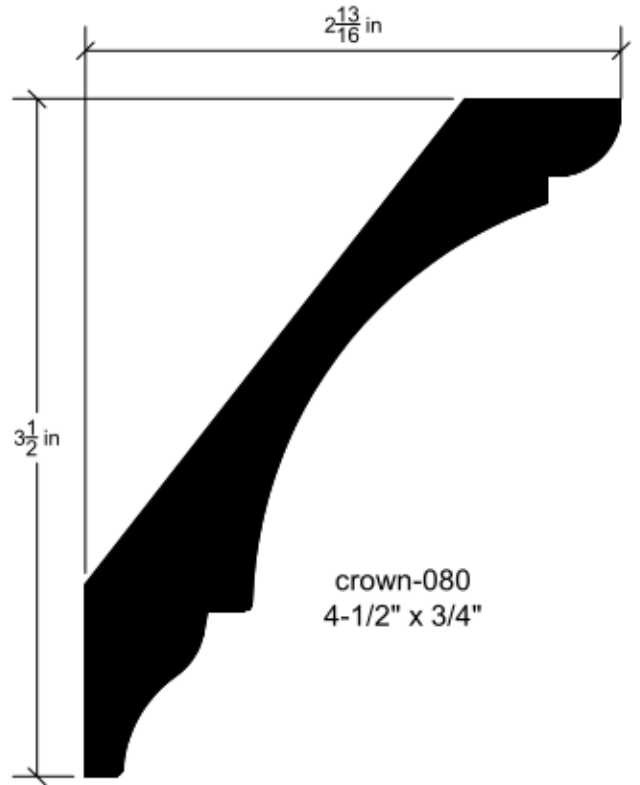
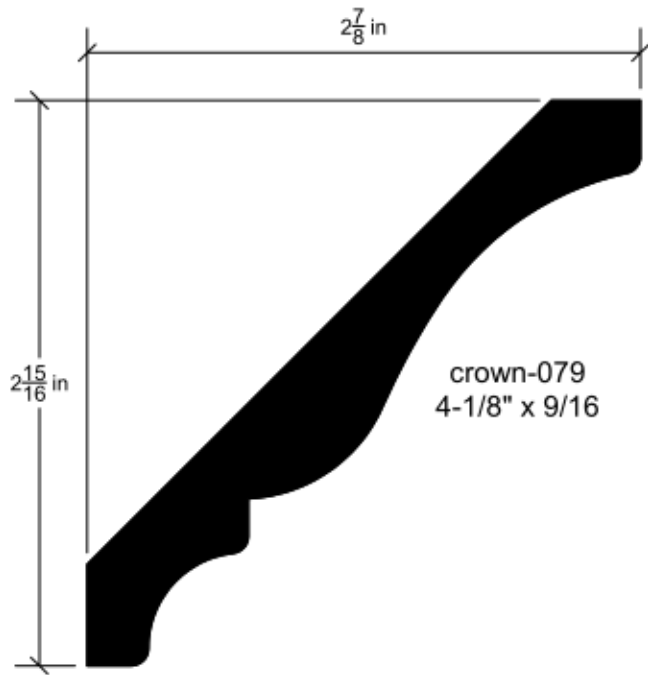




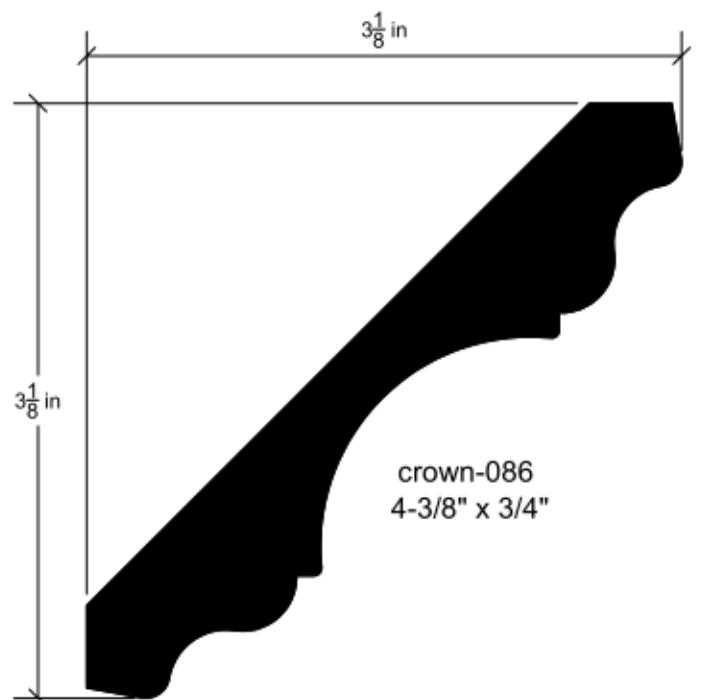
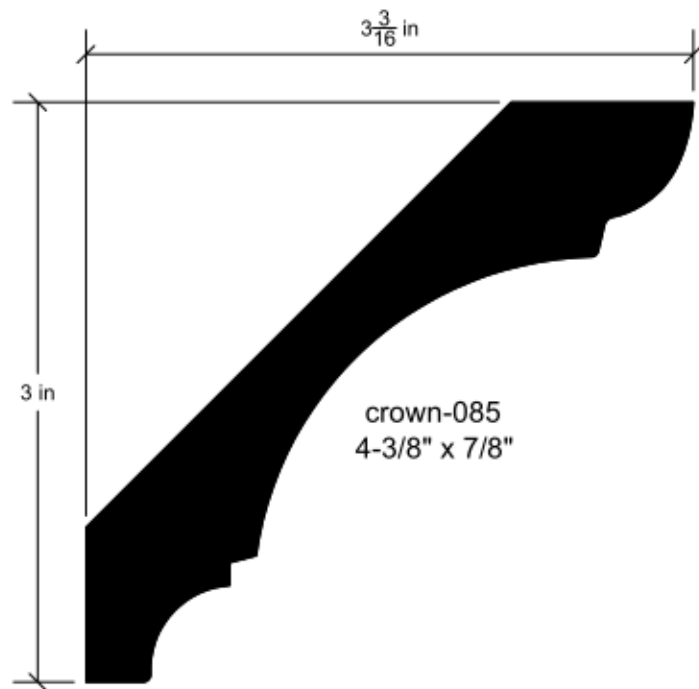
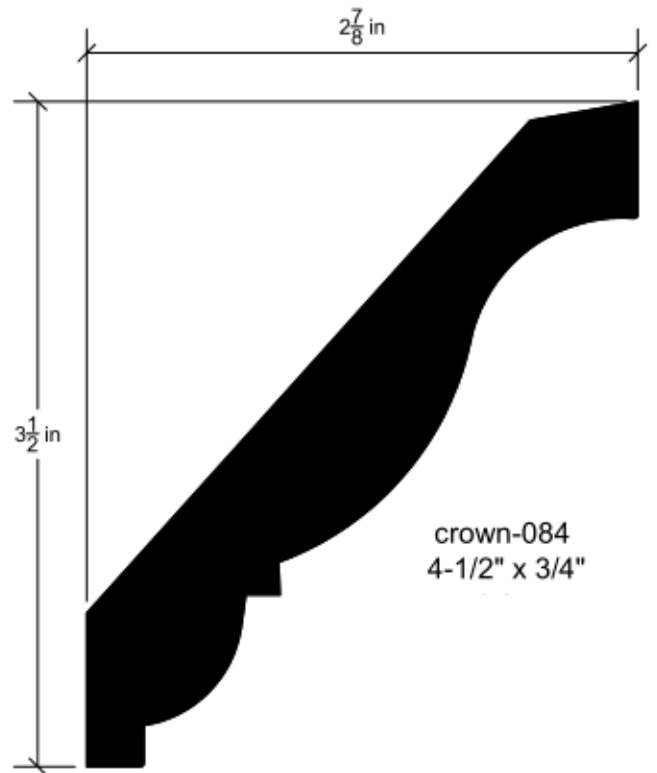
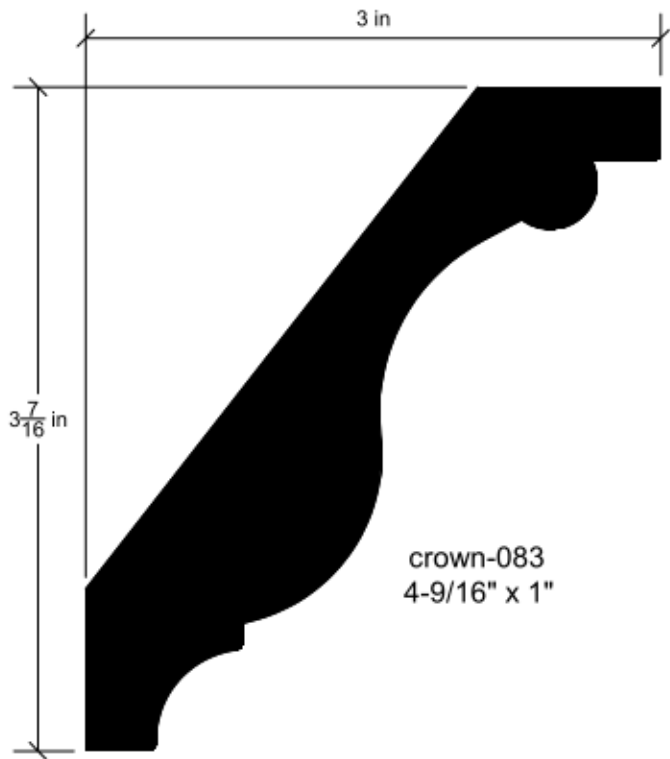


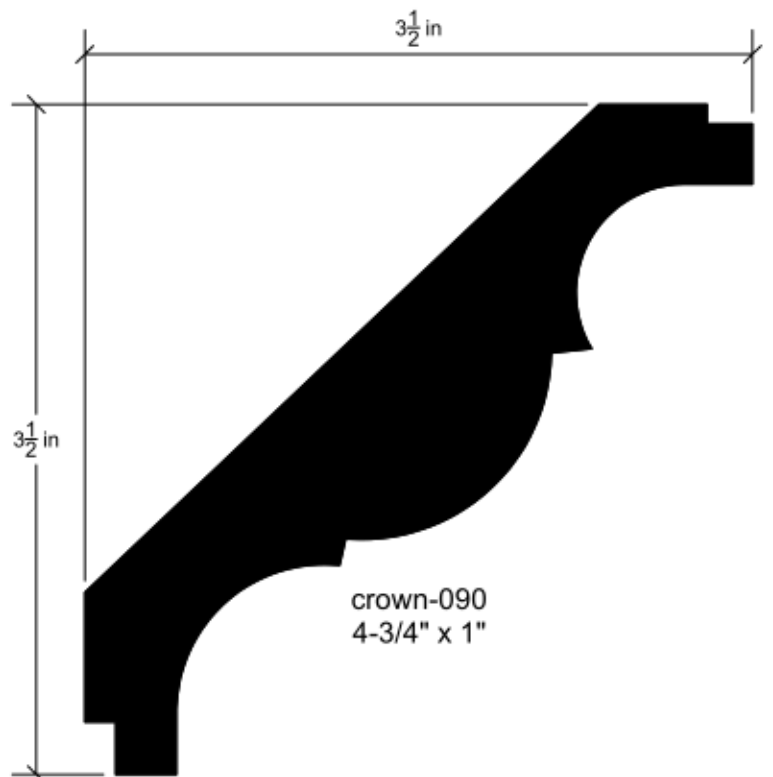
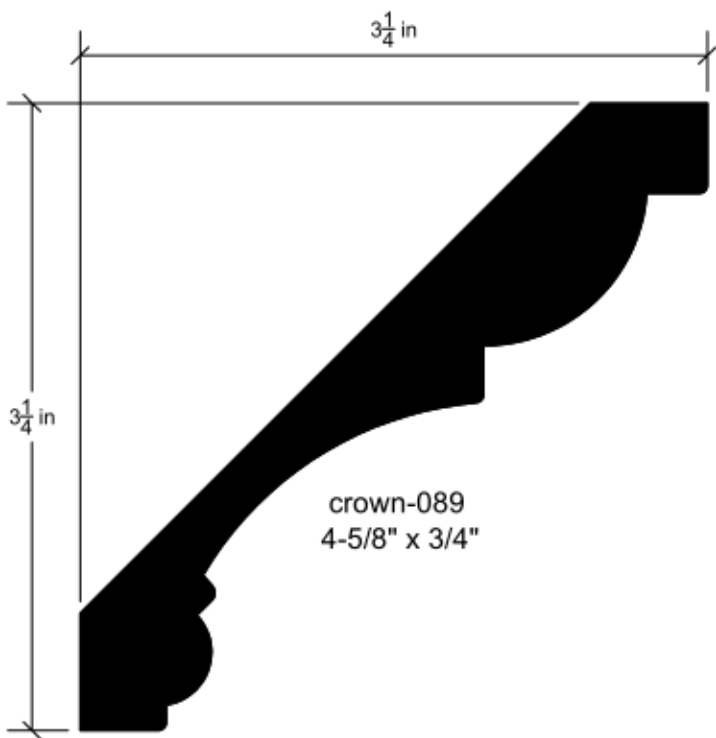
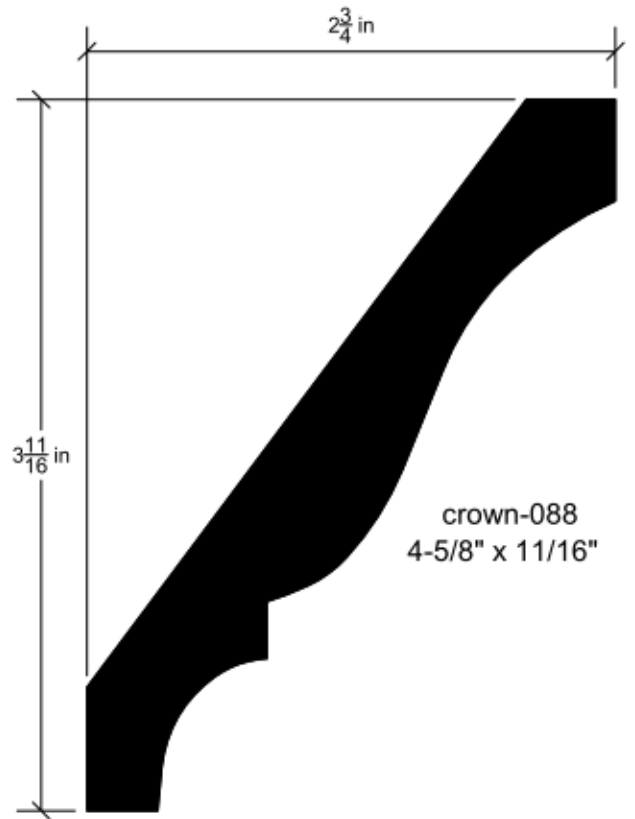
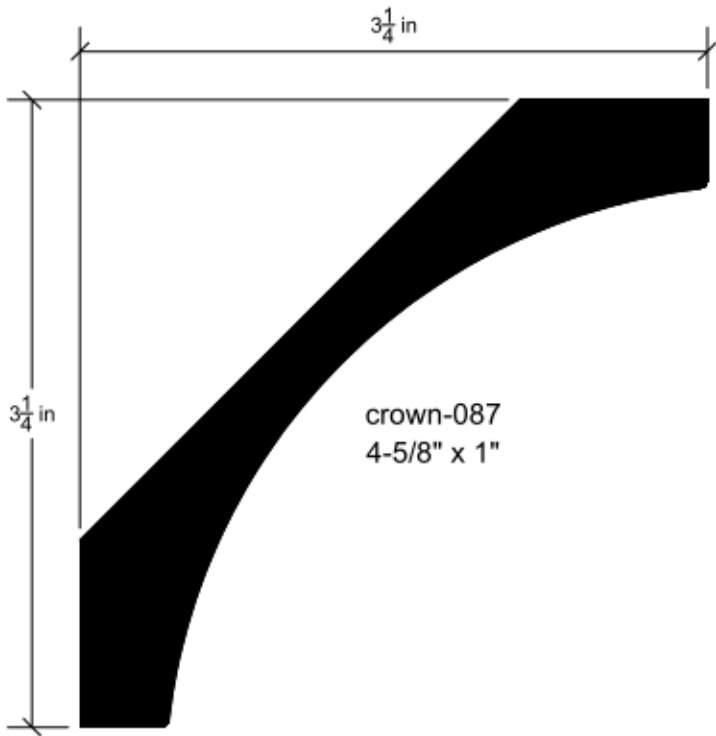


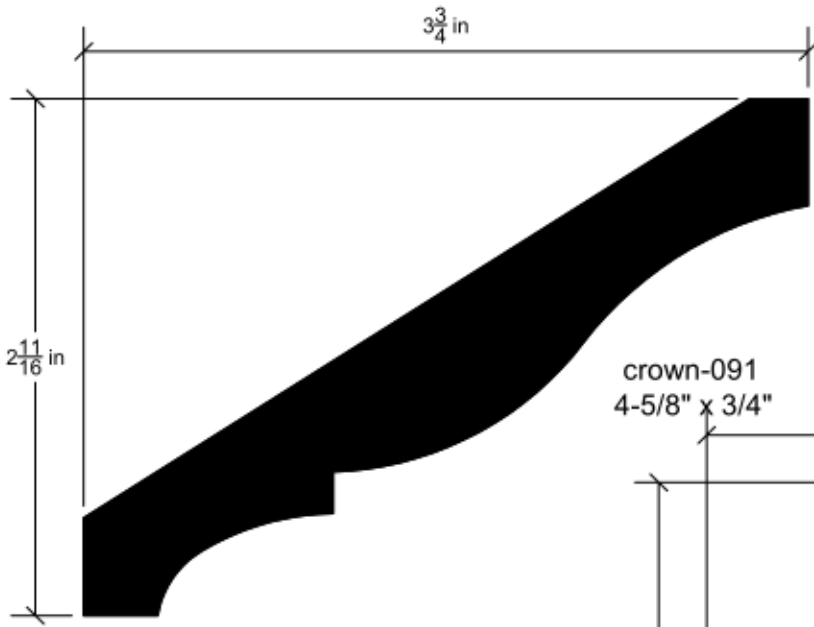




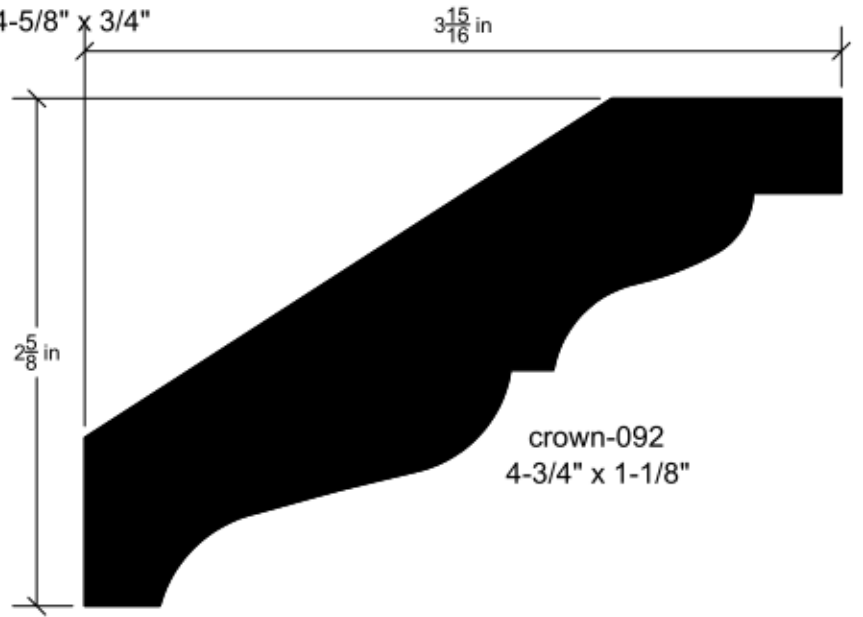




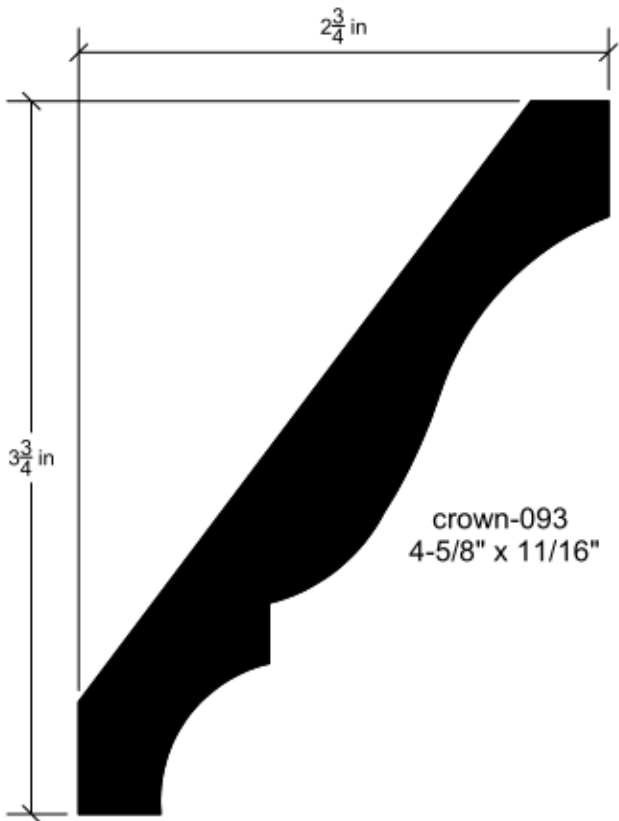




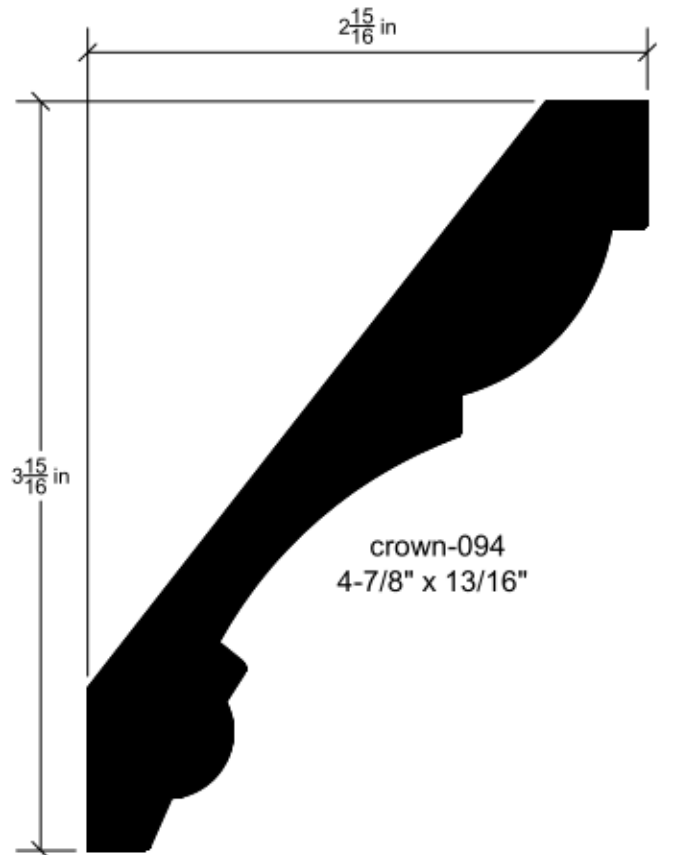
crown-091  
4-5/8" x 3/4"



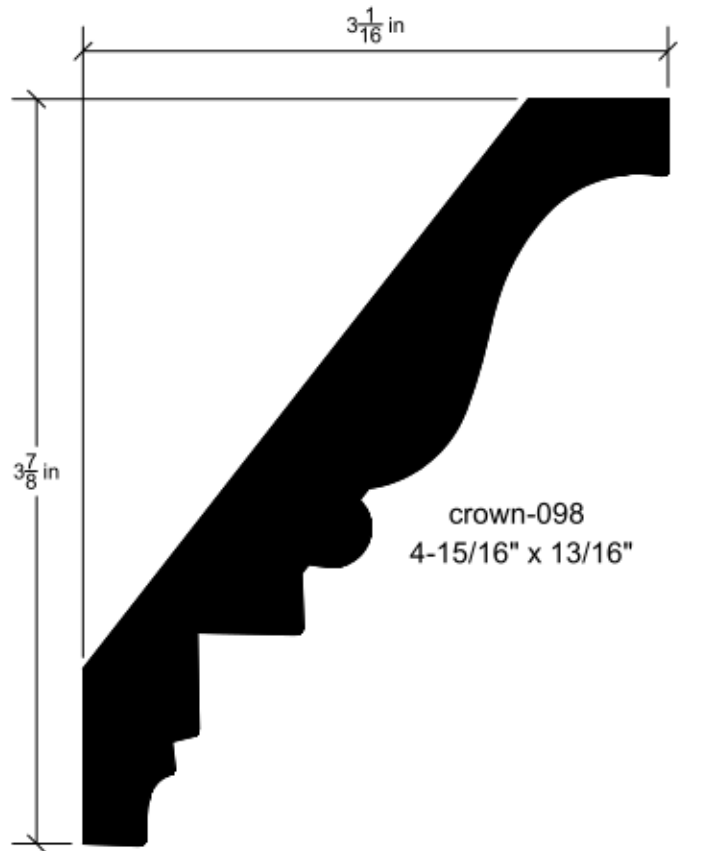
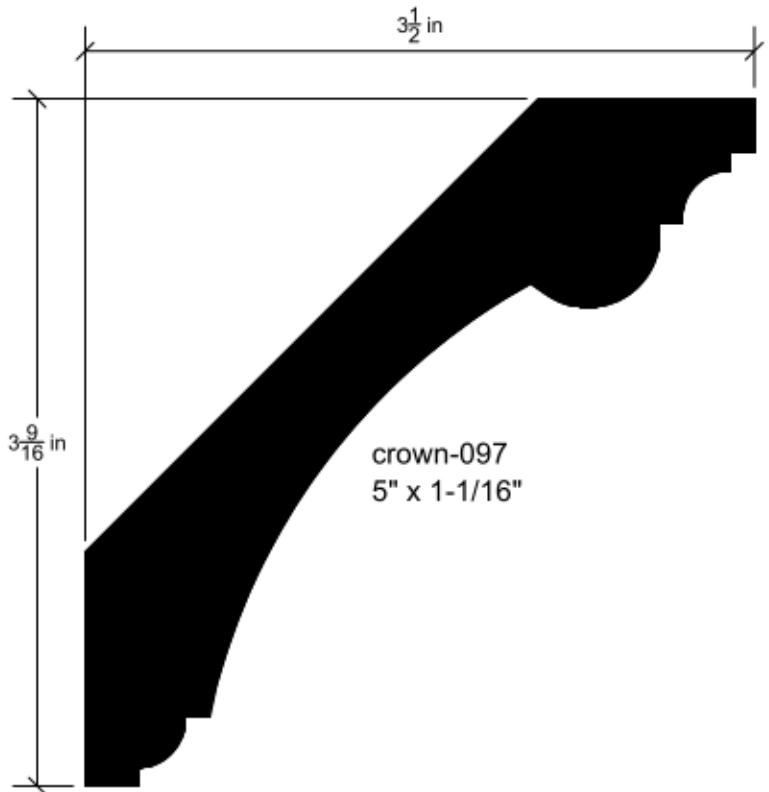
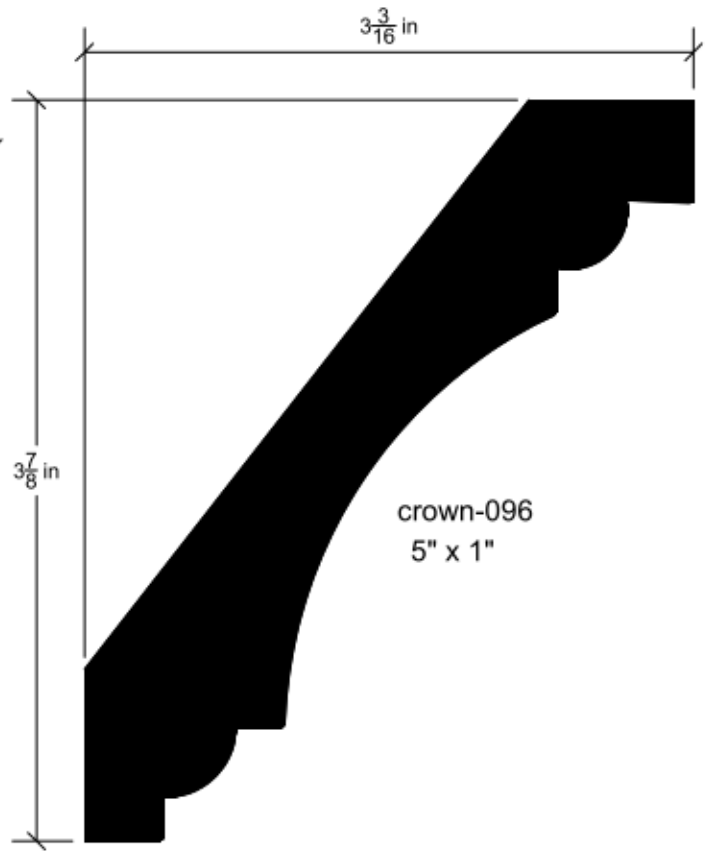
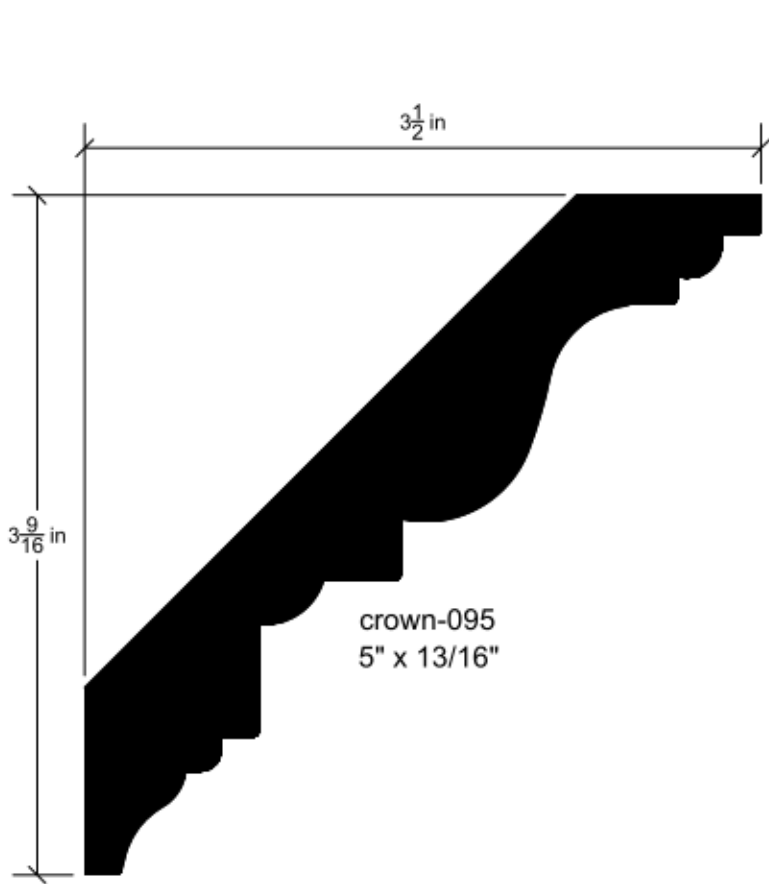
crown-092  
4-3/4" x 1-1/8"

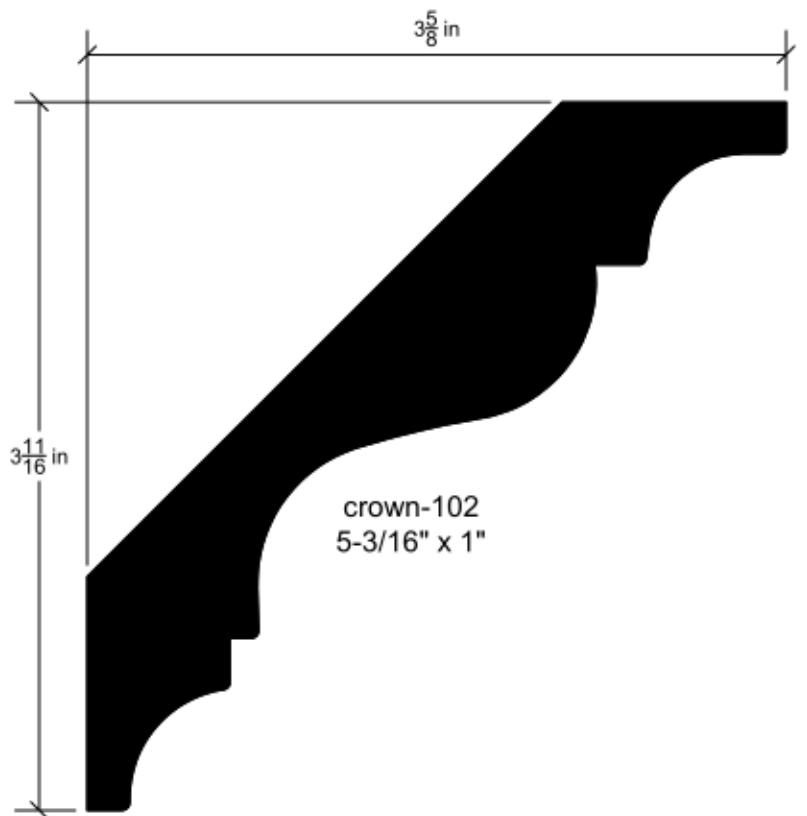
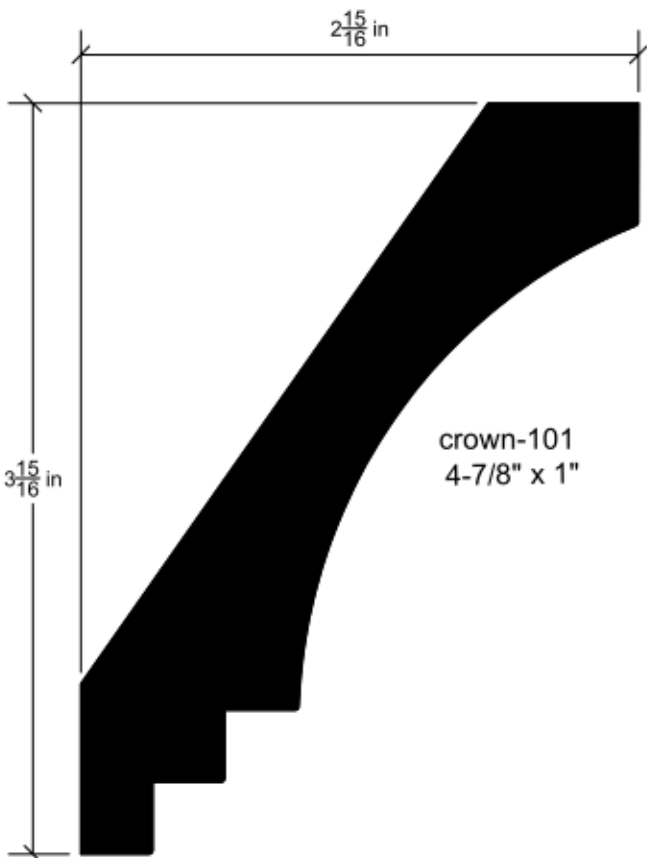
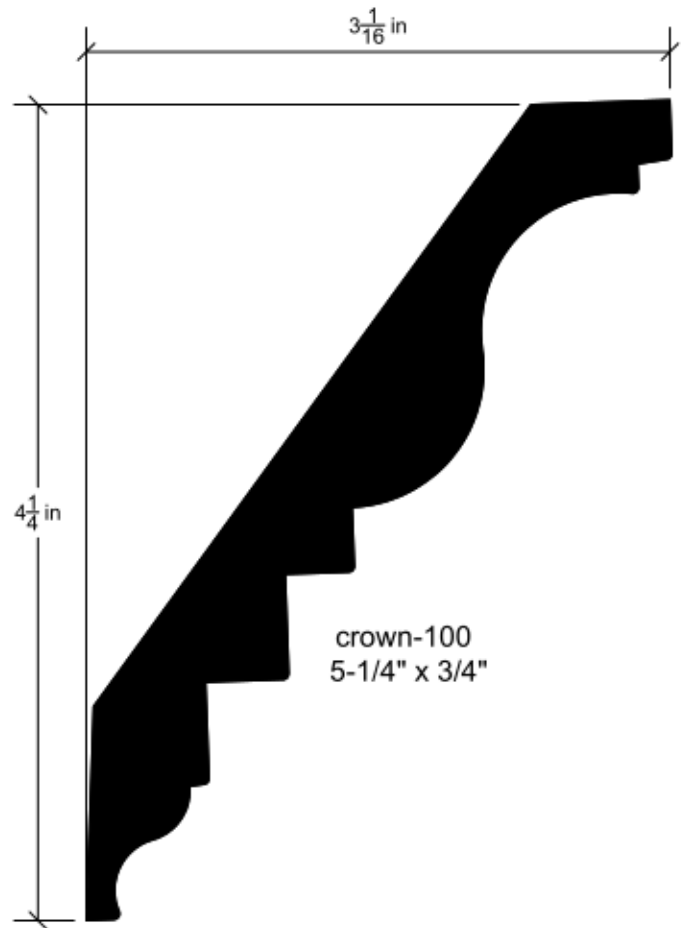
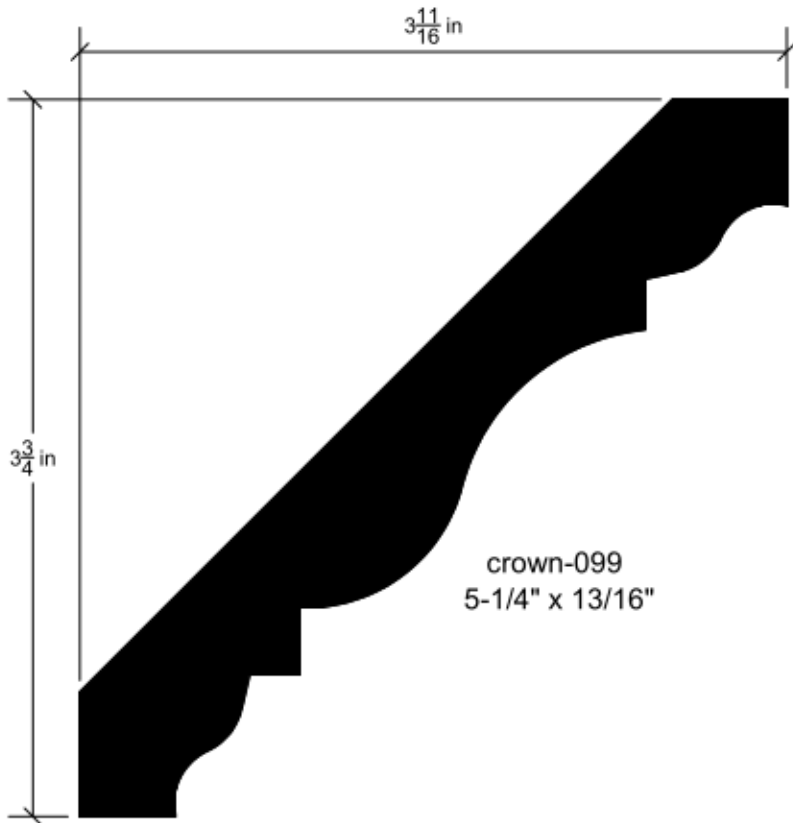


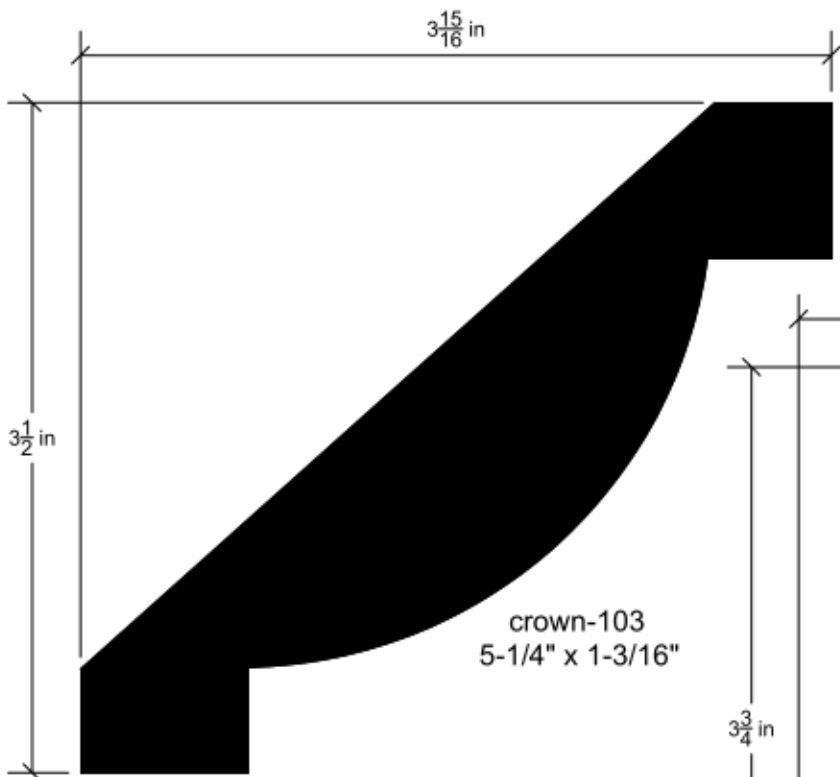
crown-093  
4-5/8" x 11/16"



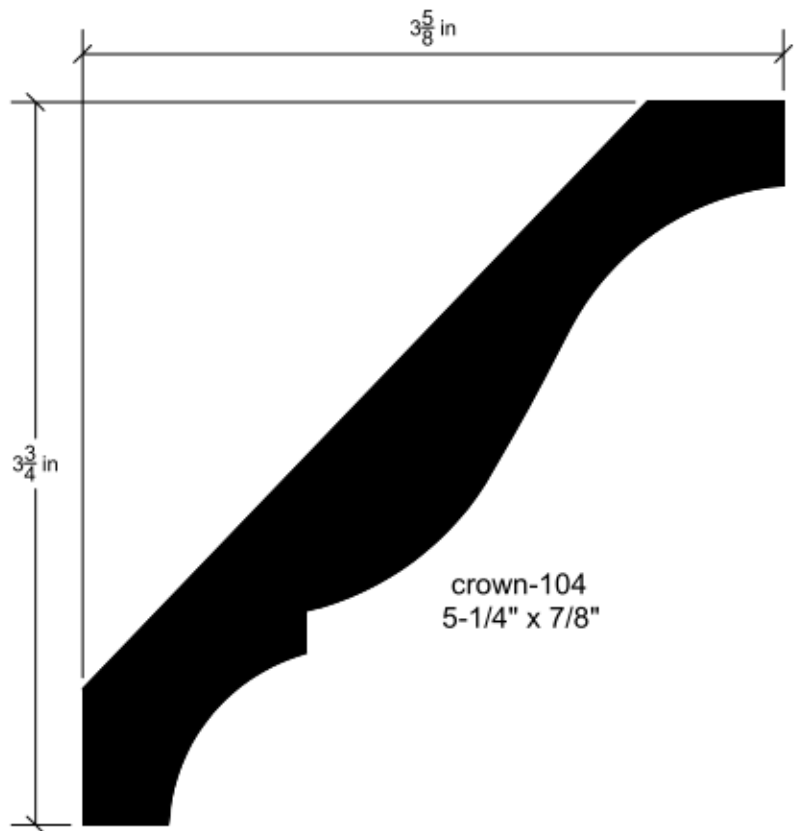
crown-094  
4-7/8" x 13/16"



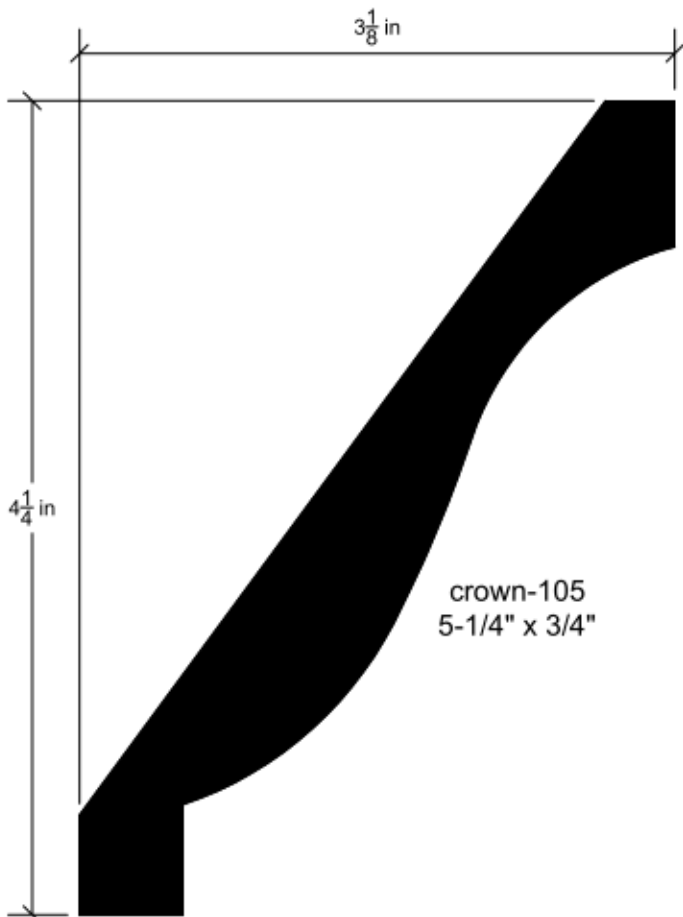




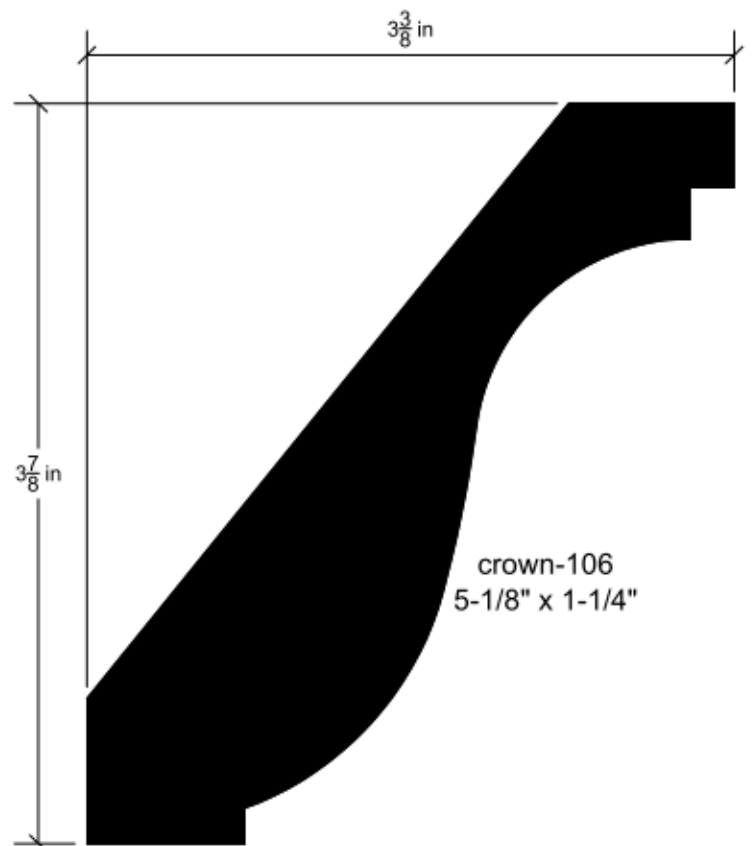
crown-103  
5-1/4" x 1-3/16"



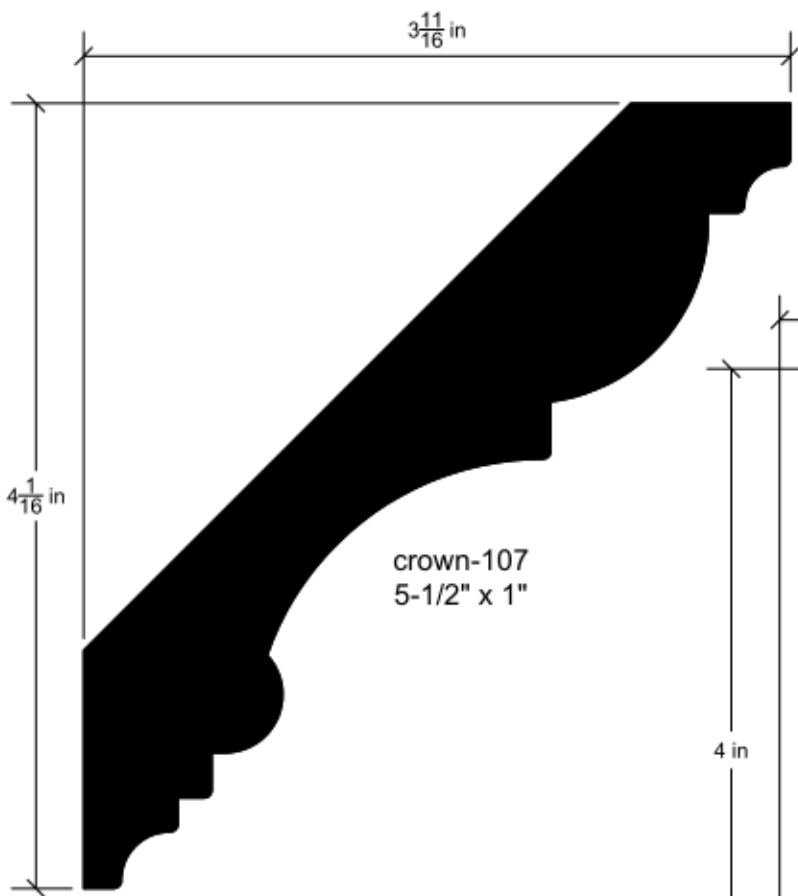
crown-104  
5-1/4" x 7/8"



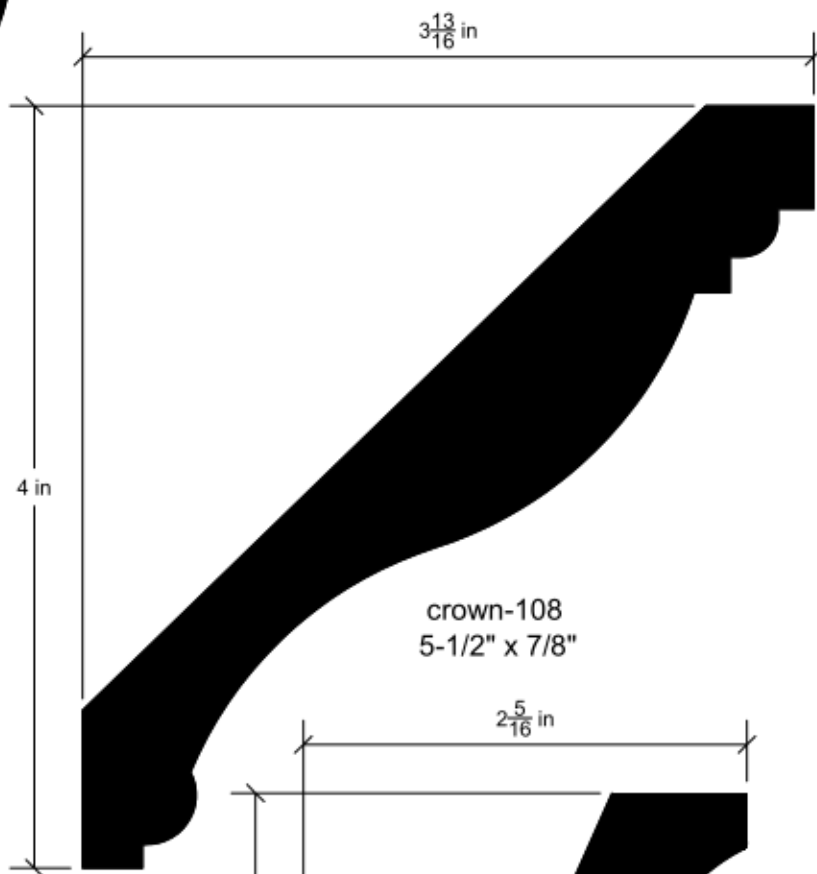
crown-105  
5-1/4" x 3/4"



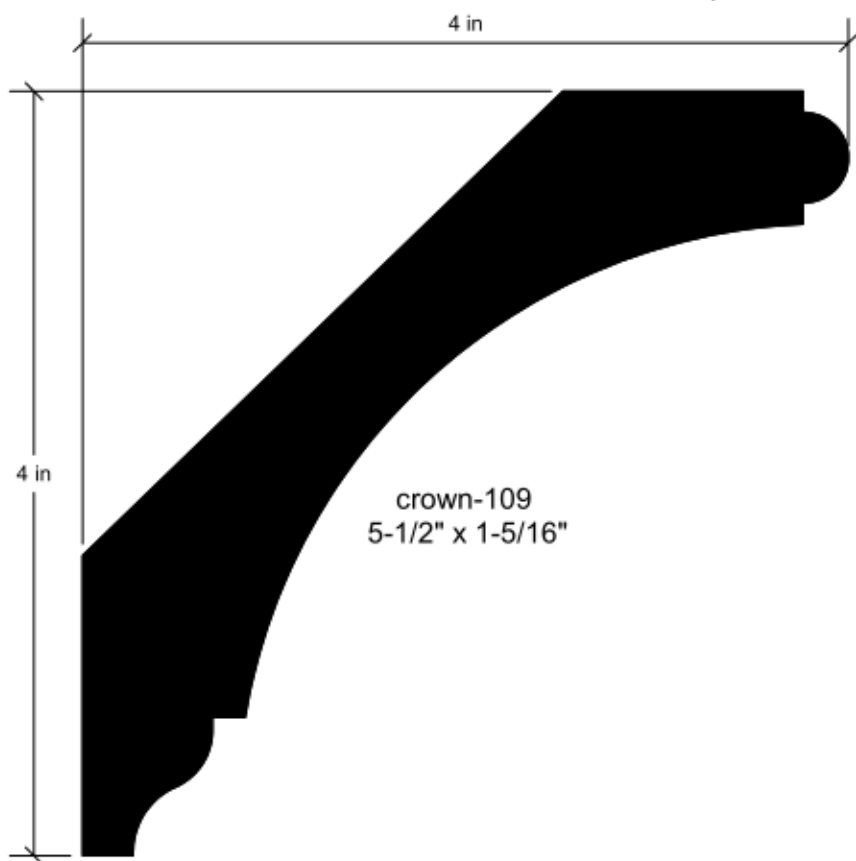
crown-106  
5-1/8" x 1-1/4"



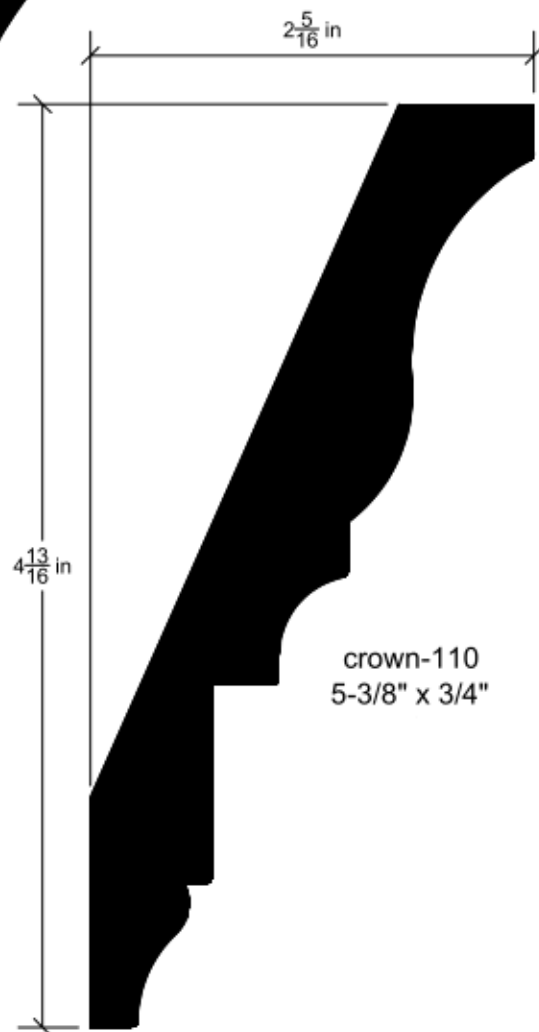
crown-107  
5-1/2" x 1"



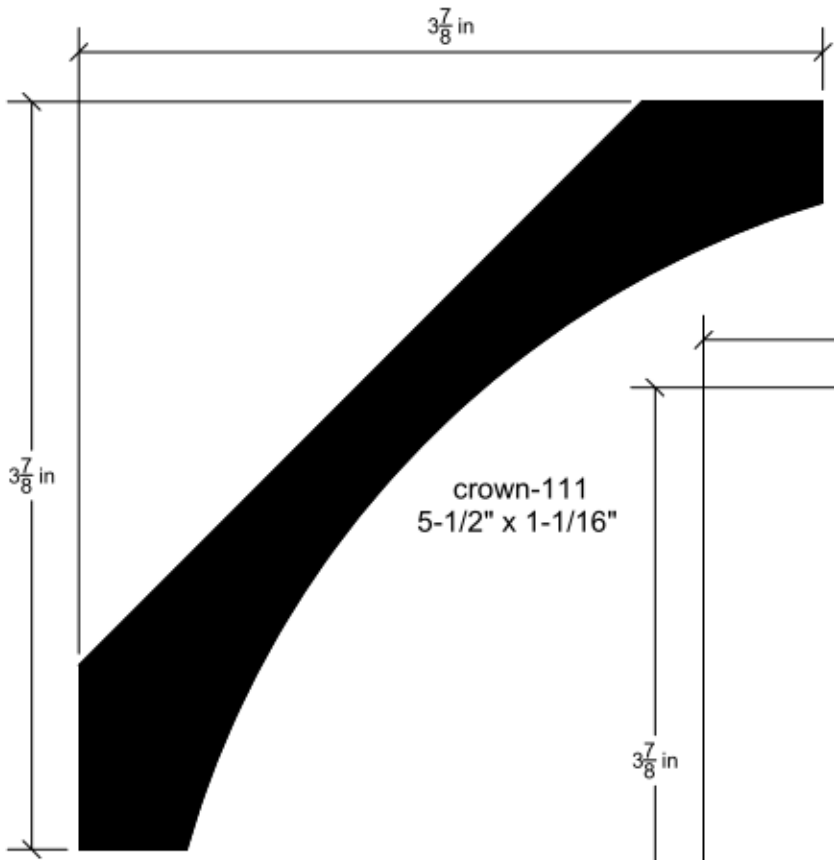
crown-108  
5-1/2" x 7/8"



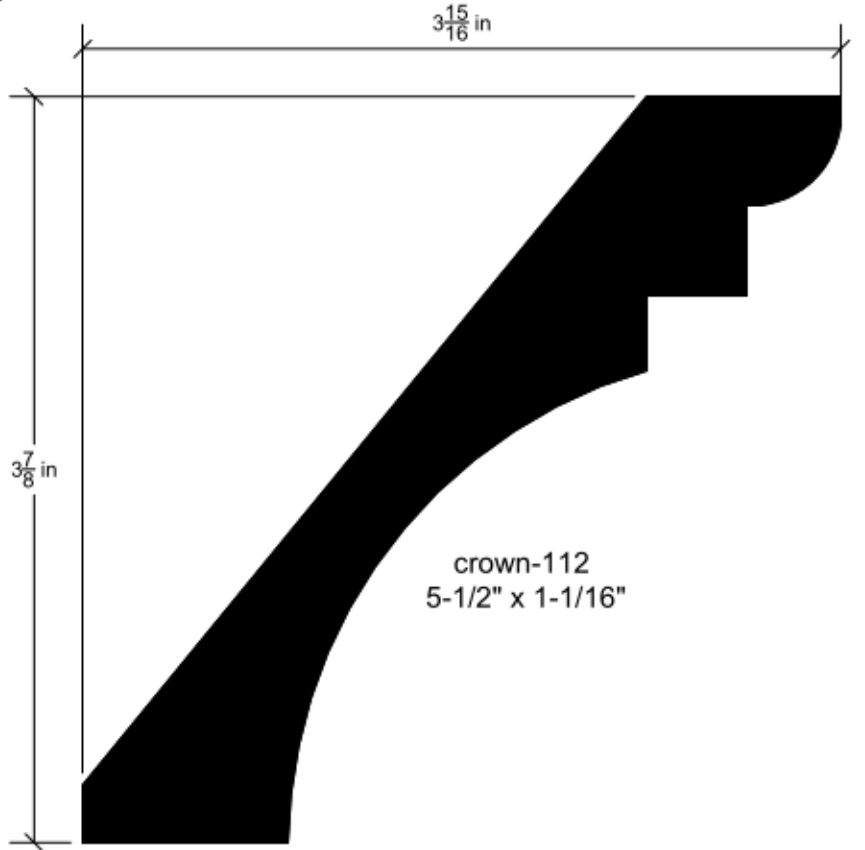
crown-109  
5-1/2" x 1-5/16"



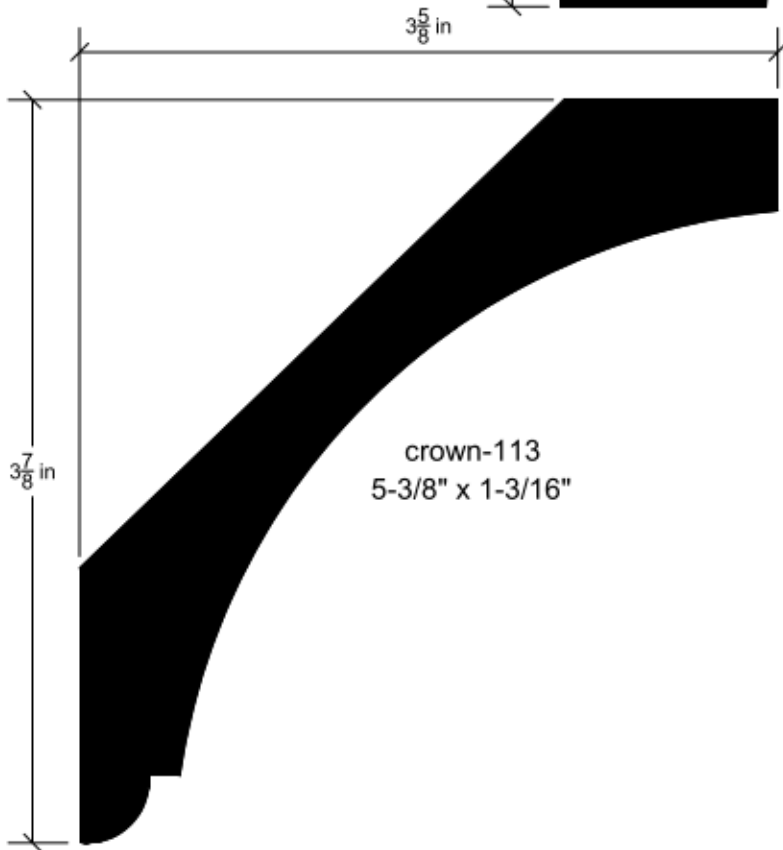
crown-110  
5-3/8" x 3/4"



crown-111  
5-1/2" x 1-1/16"

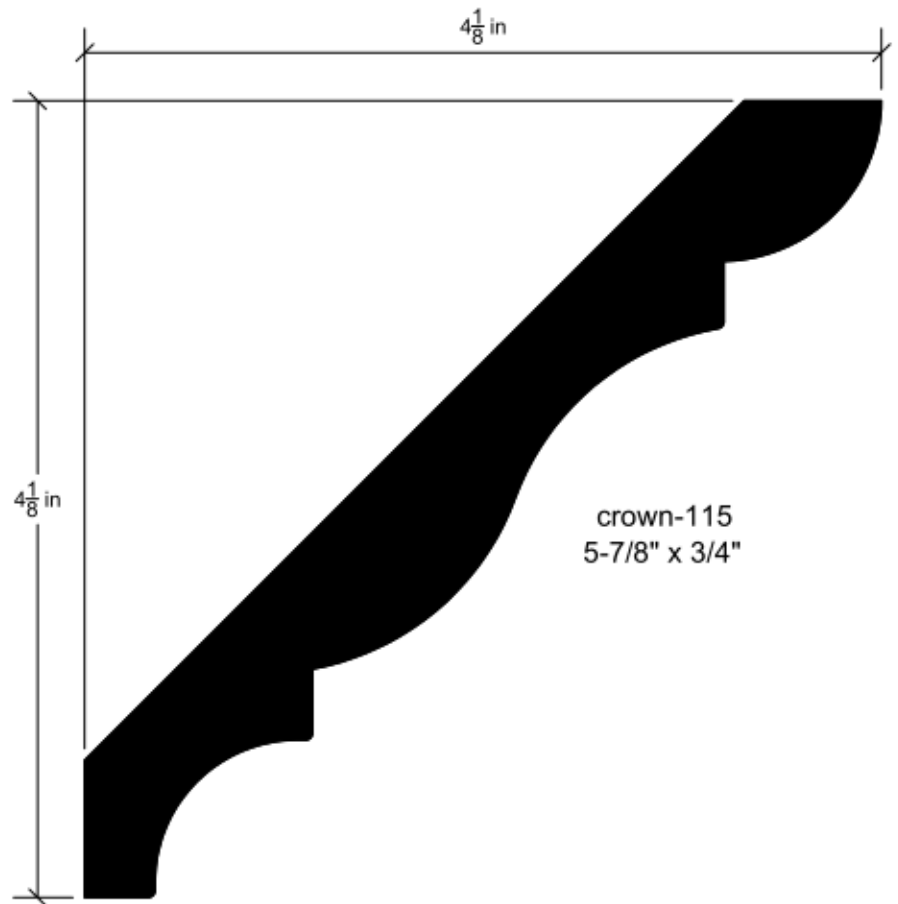
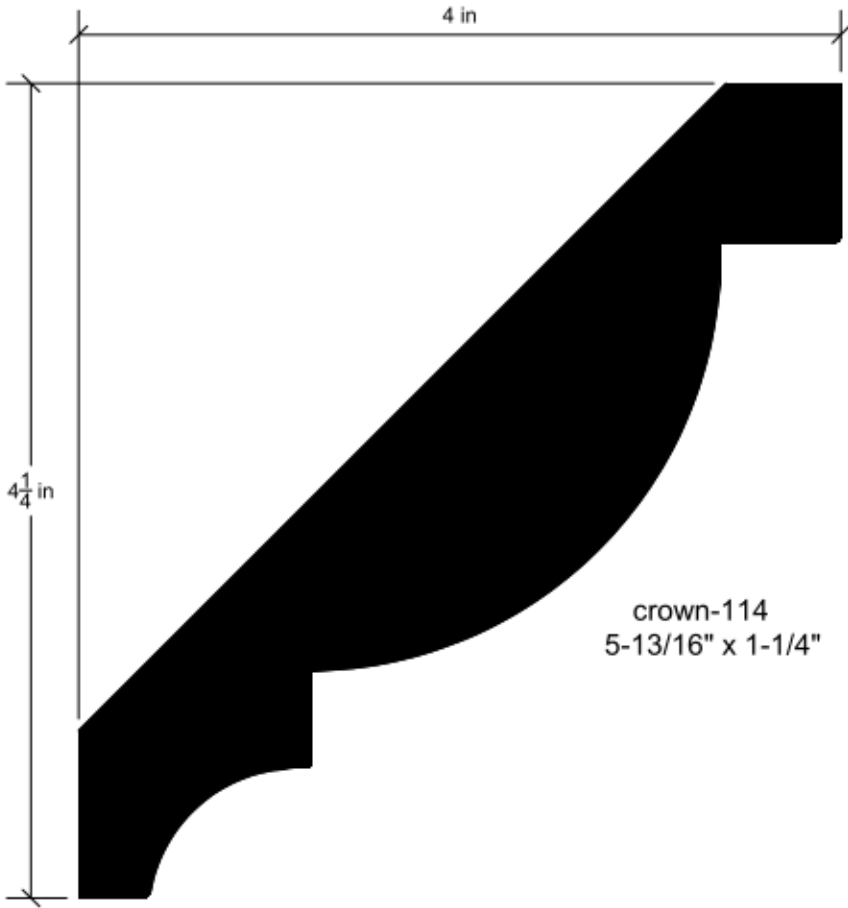


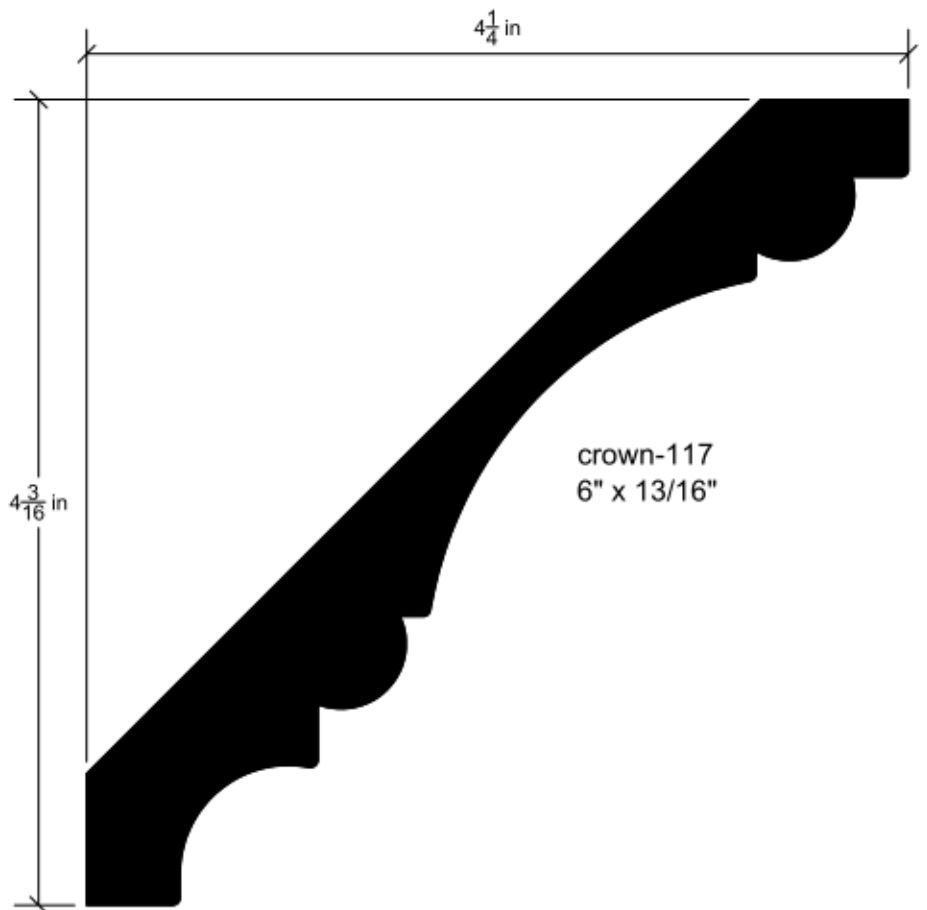
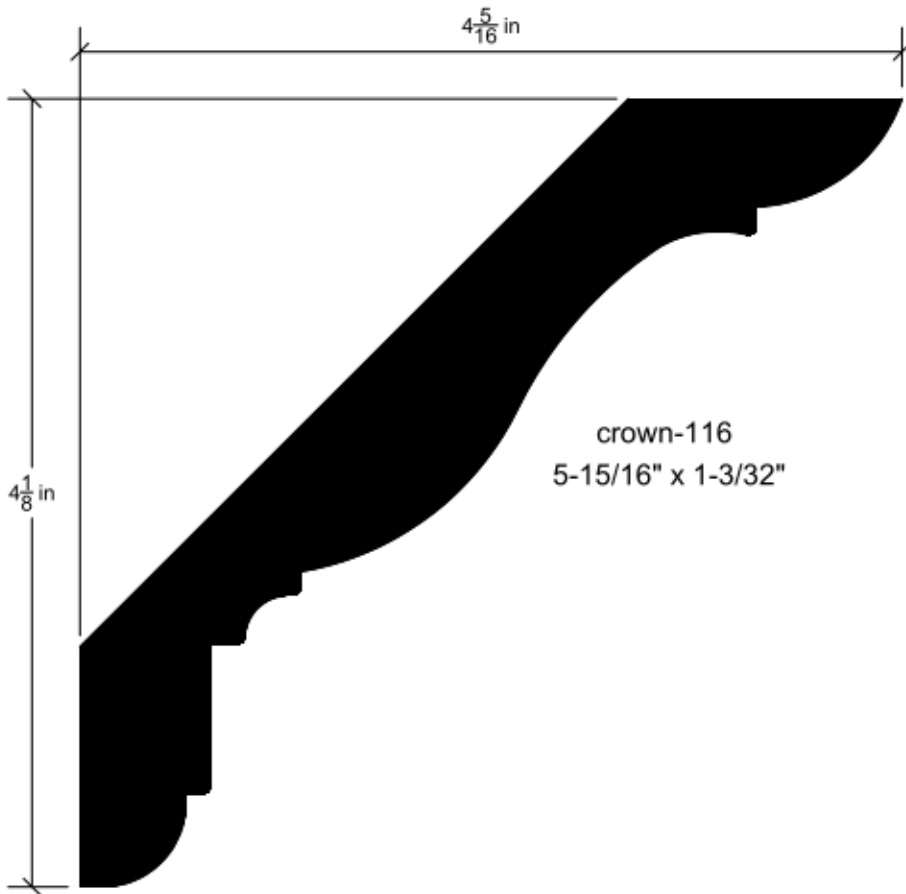
crown-112  
5-1/2" x 1-1/16"

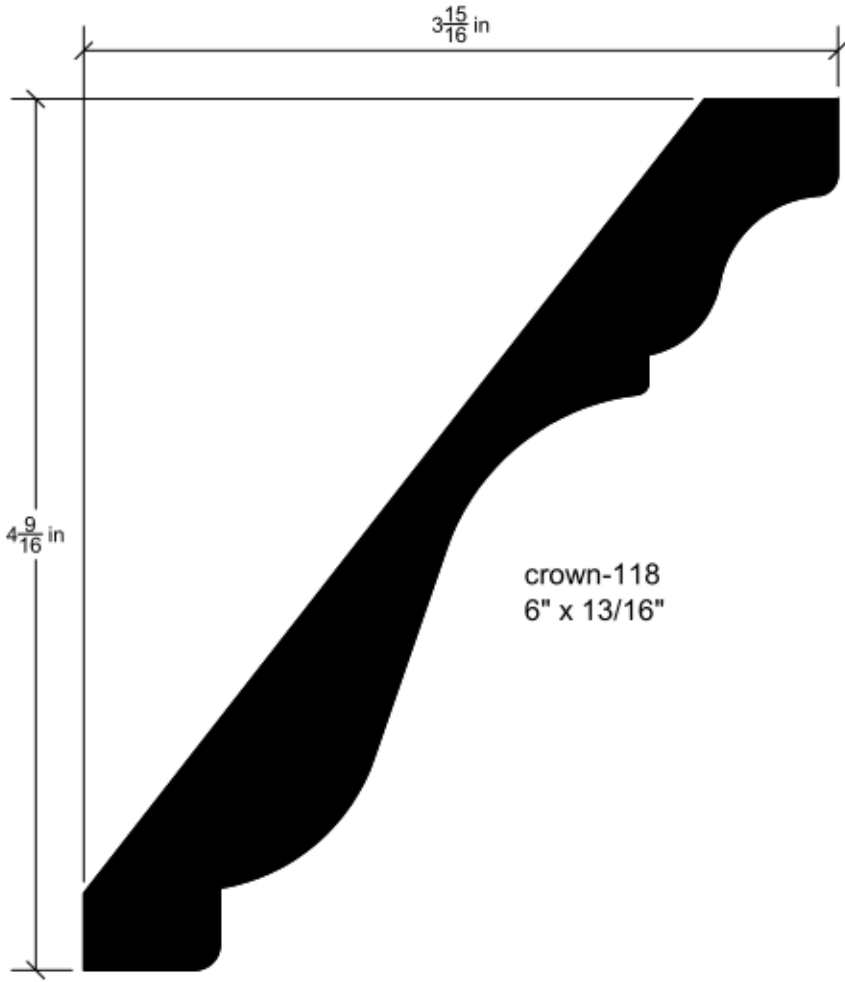


crown-113  
5-3/8" x 1-3/16"

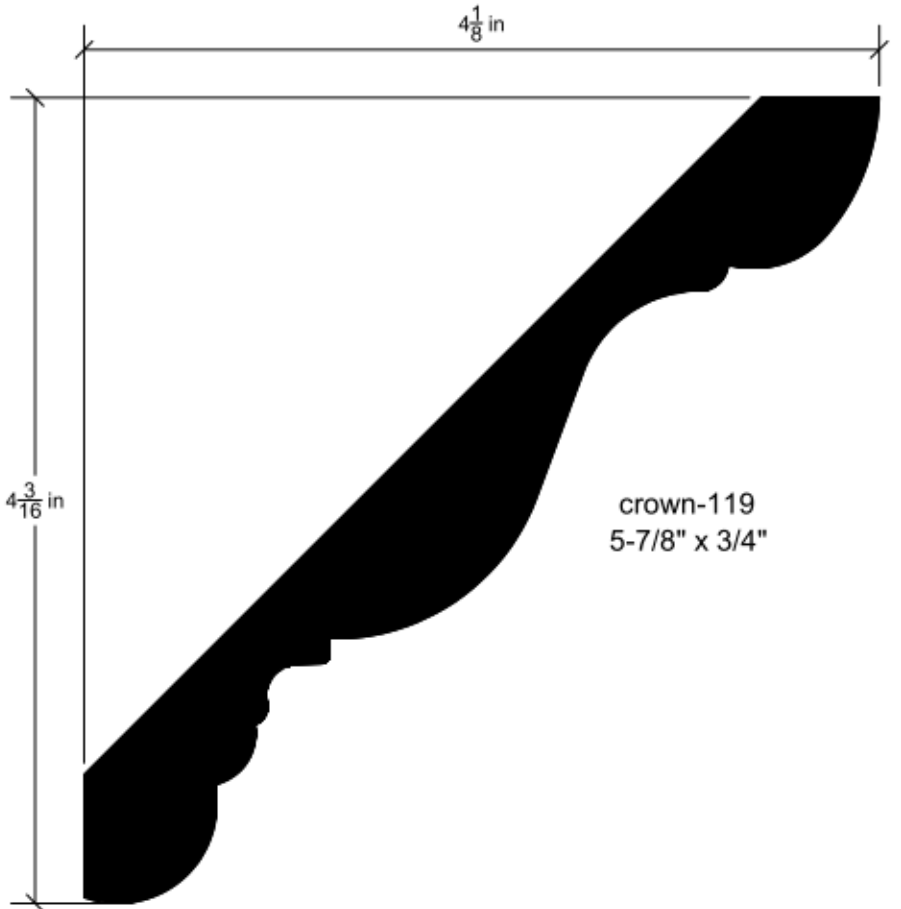






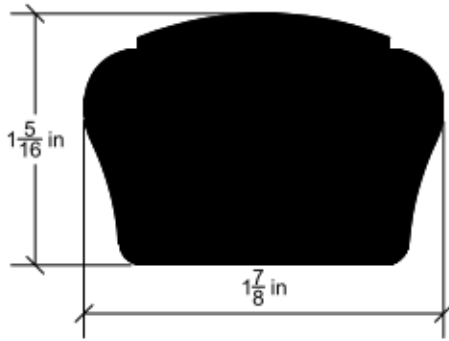


crown-118  
6" x 13/16"

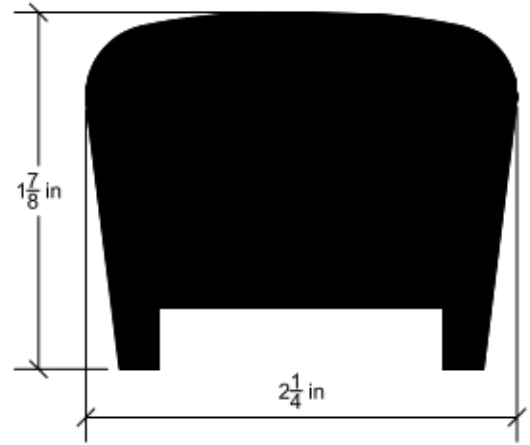


crown-119  
5-7/8" x 3/4"

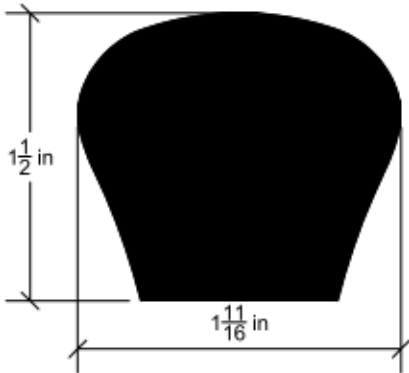
Rail-01



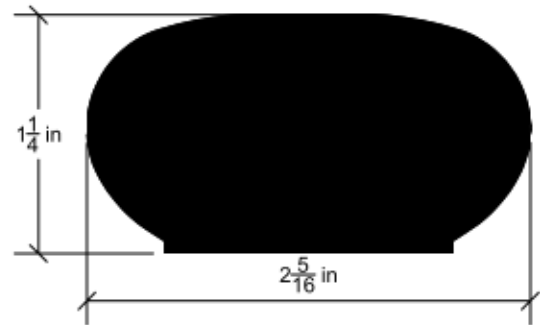
Rail-02



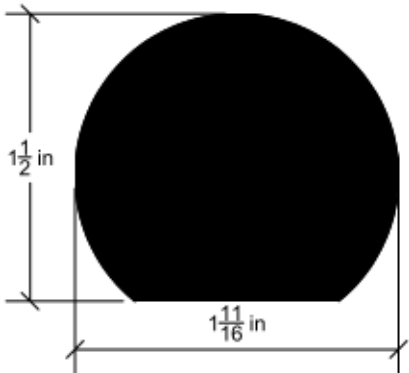
Rail-03



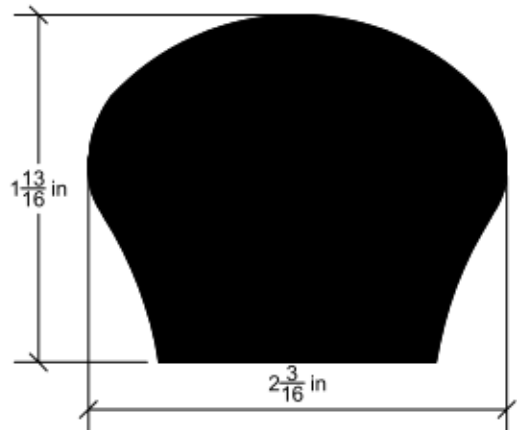
Rail-04



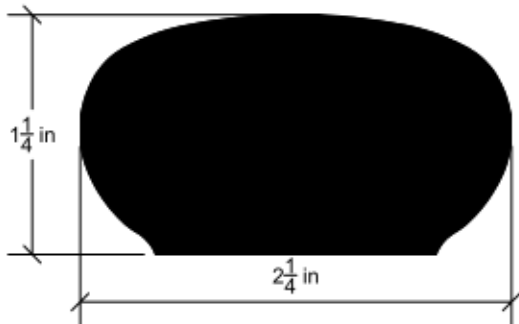
Rail-05



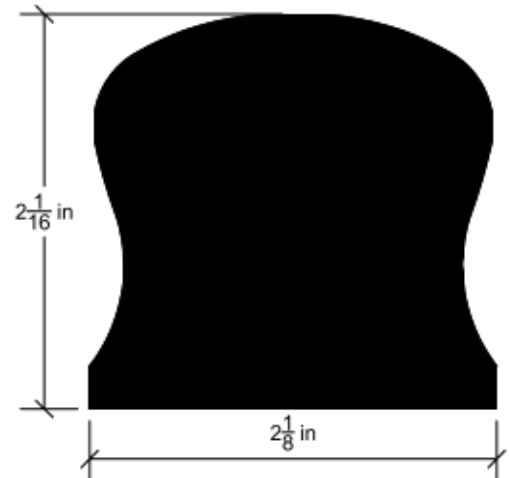
Rail-06



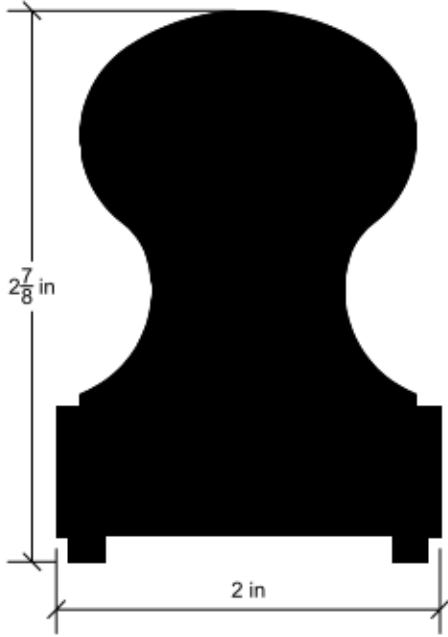
Rail-07



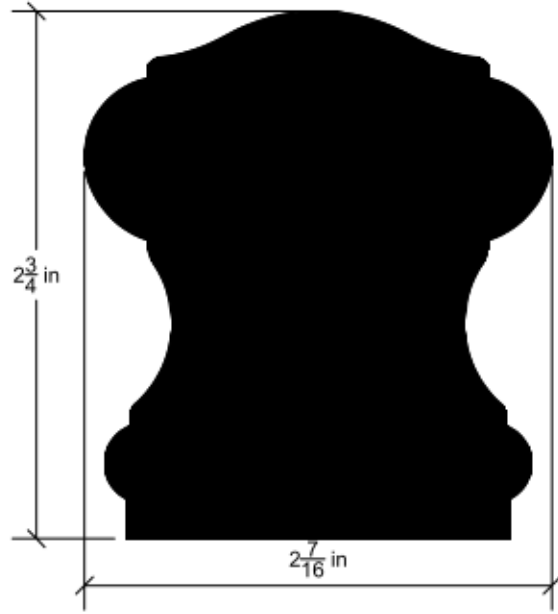
Rail-08



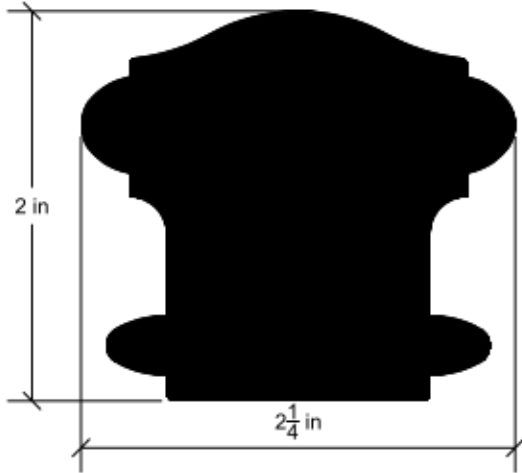
Rail-09



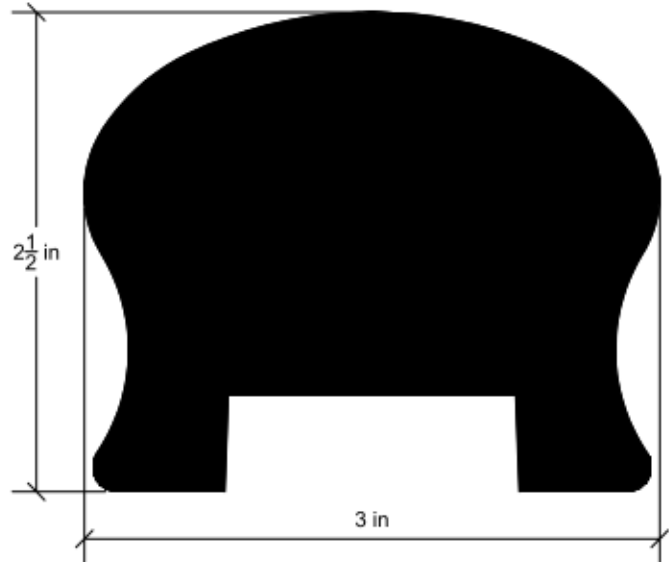
Rail-10



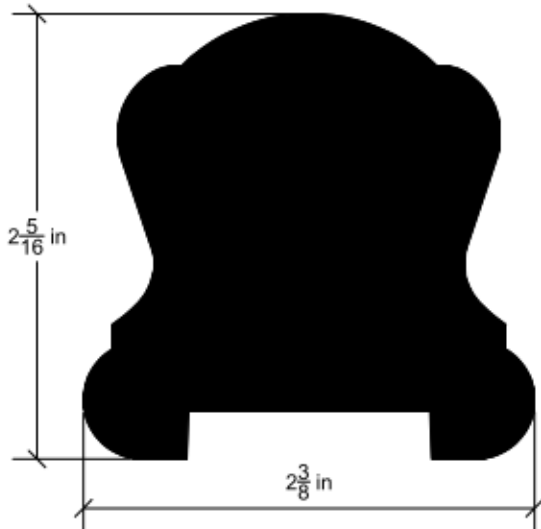
Rail-11



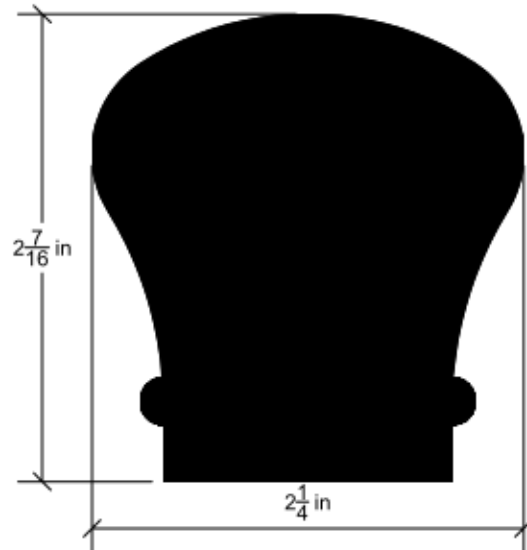
Rail-12



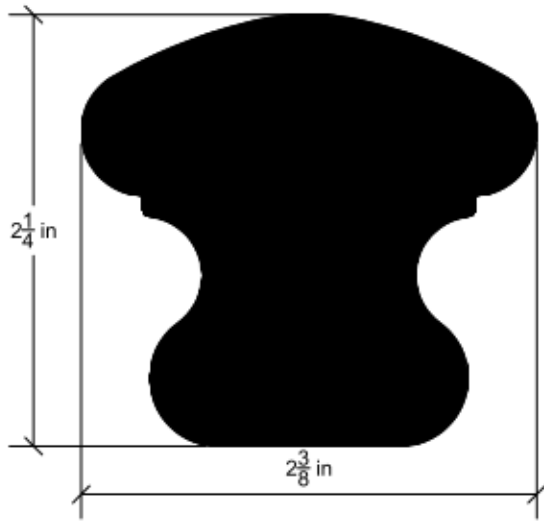
Rail-13



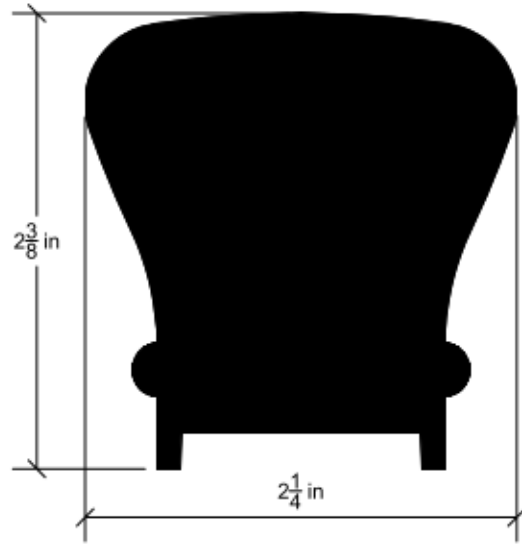
Rail-14



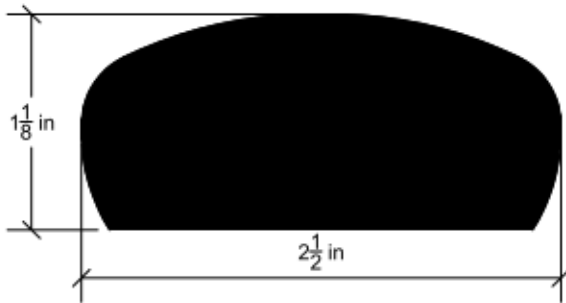
Rail-15



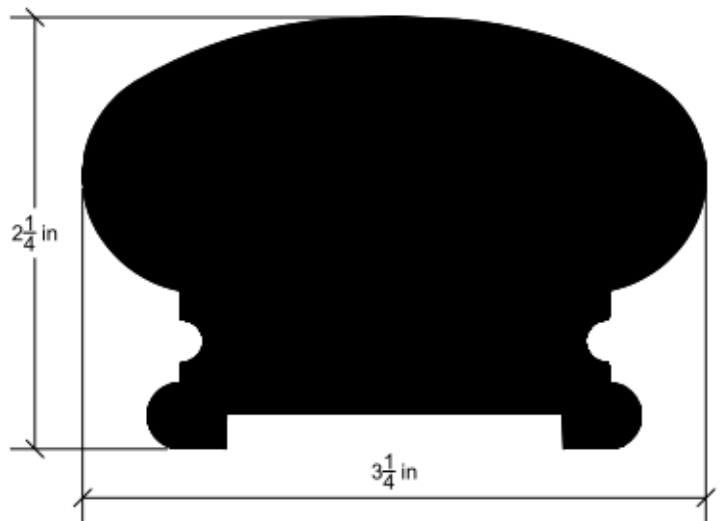
Rail-16



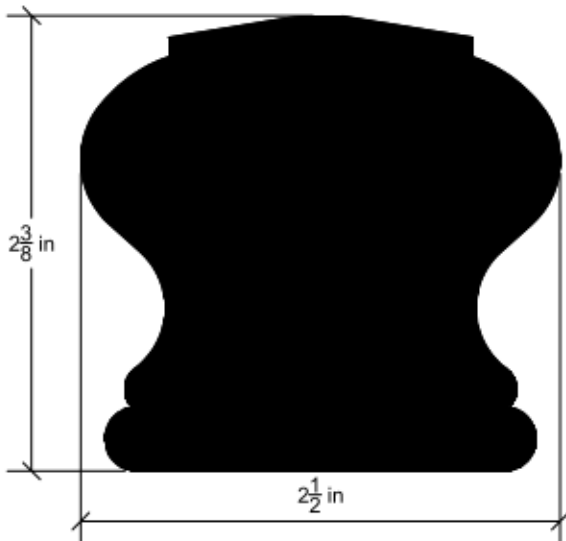
Rail-17



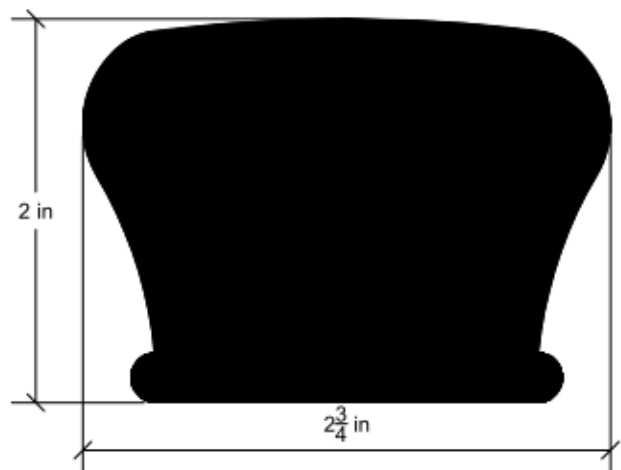
Rail-18



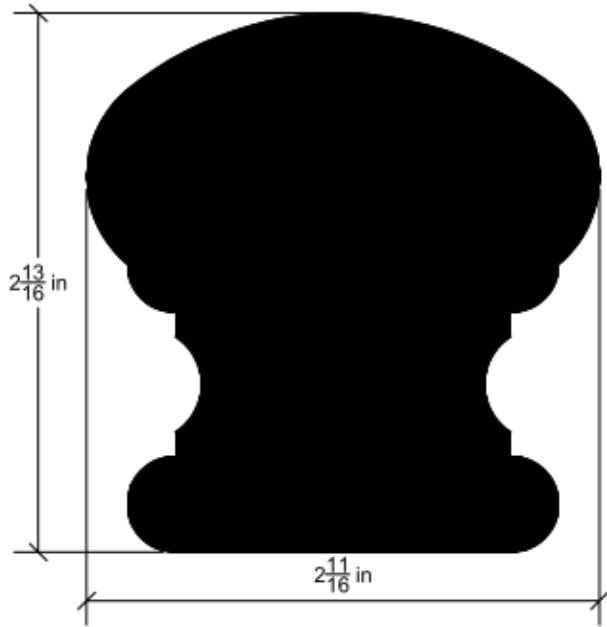
Rail-19



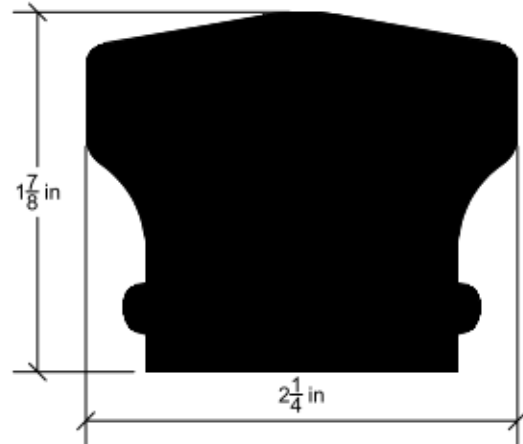
Rail-20



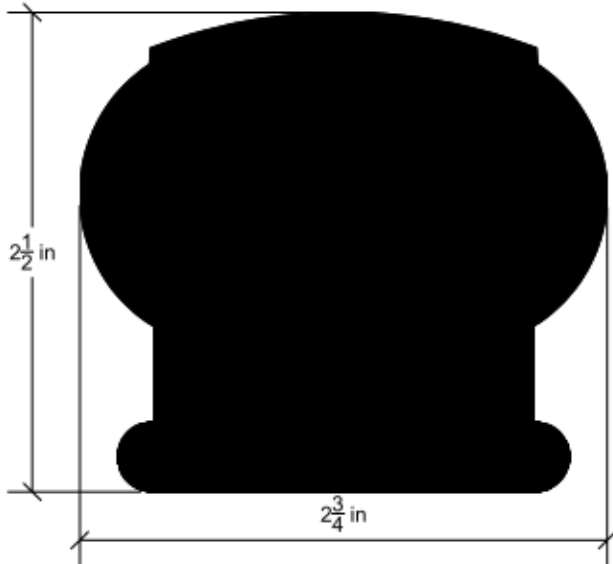
Rail-21



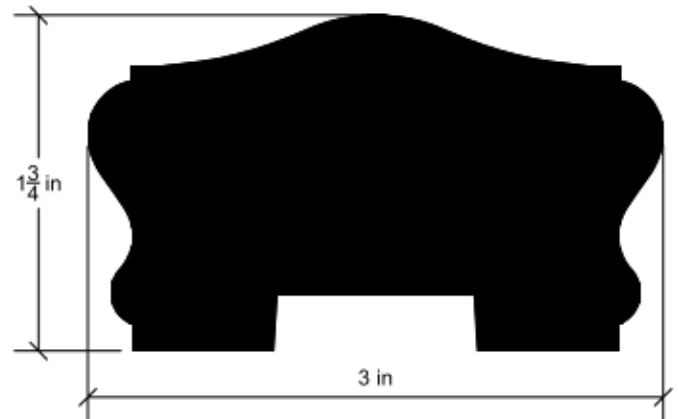
Rail-22



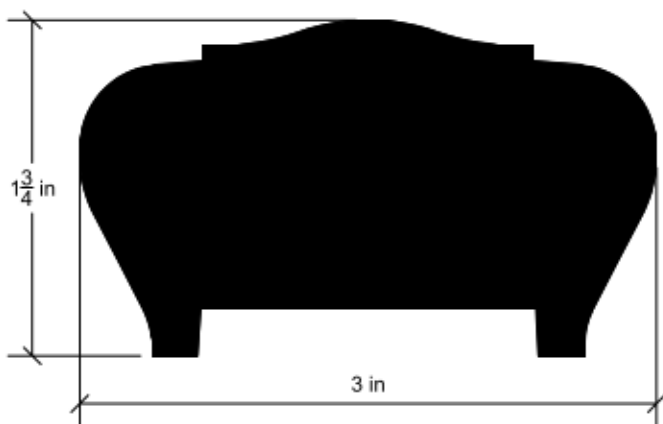
Rail-23



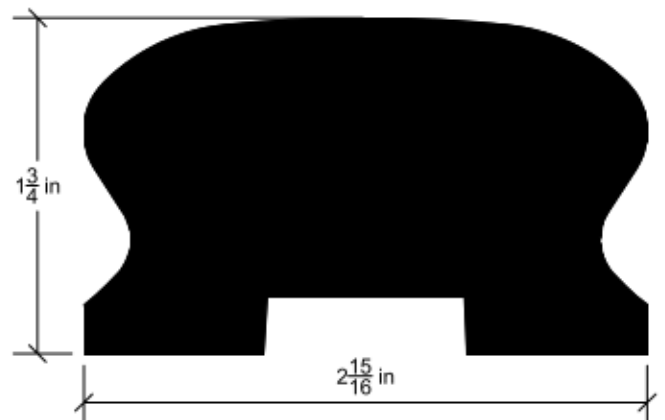
Rail-24

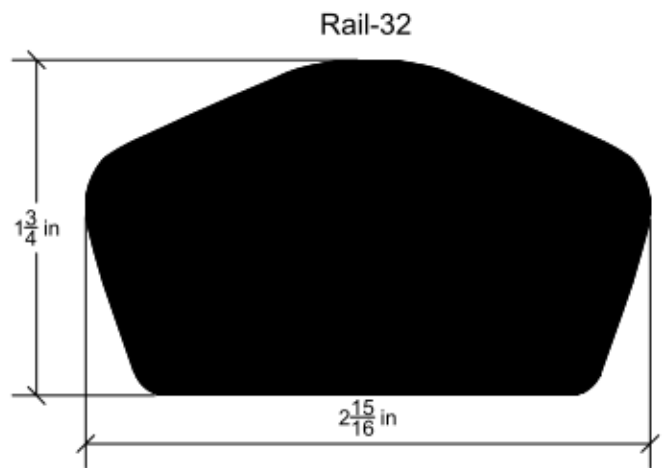
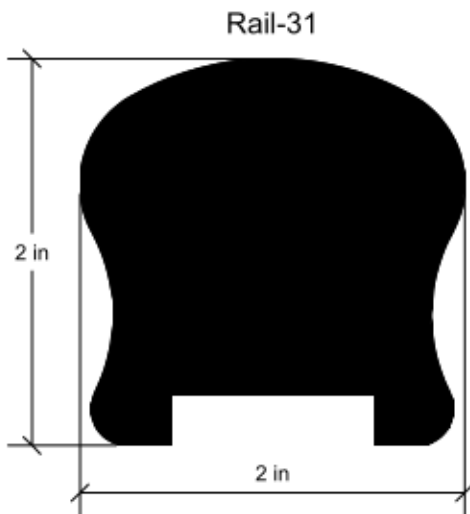
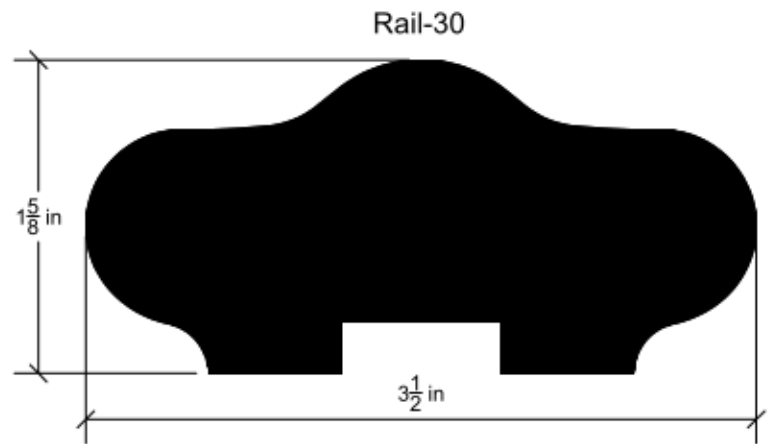
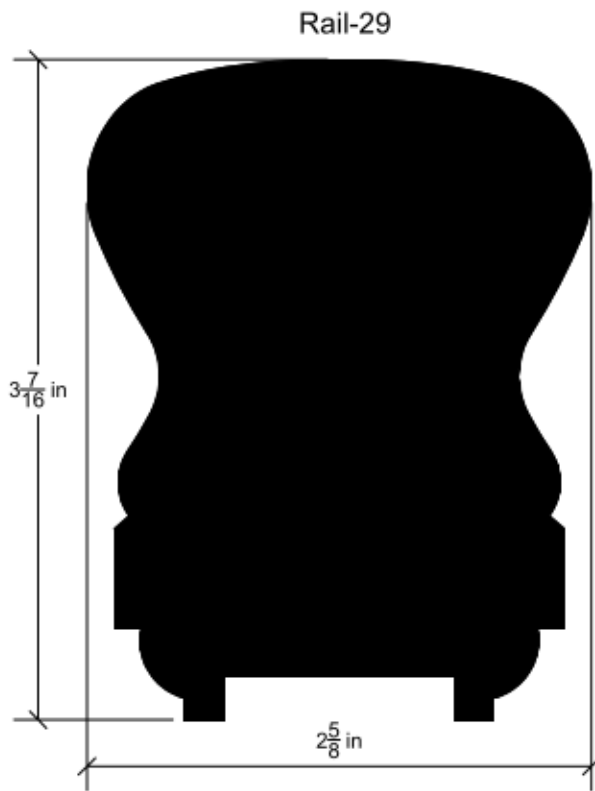
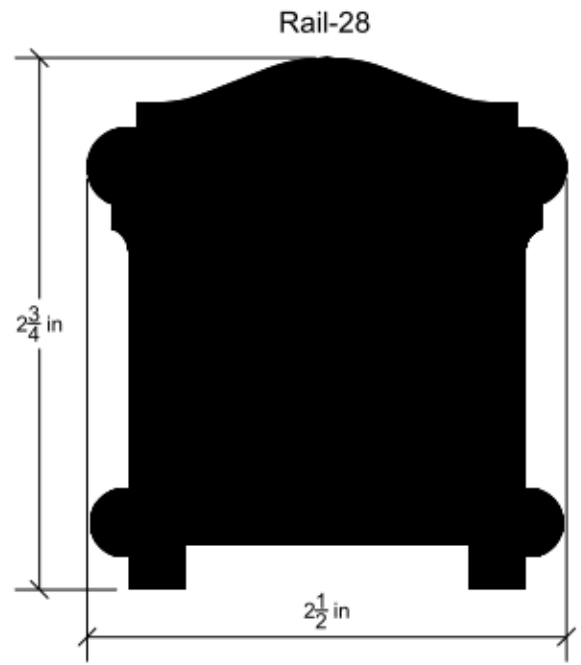
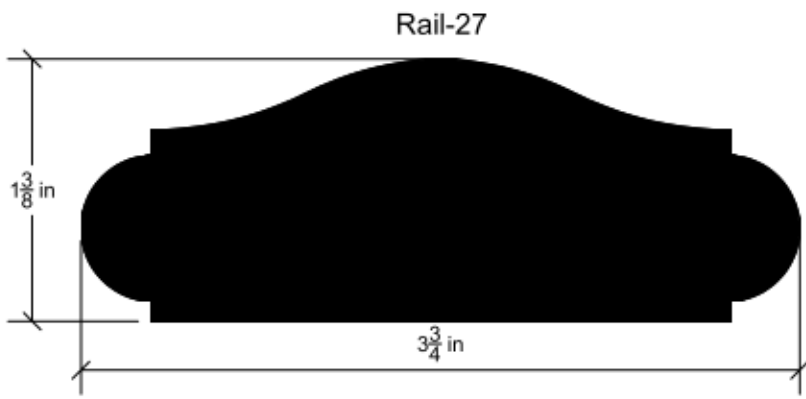


Rail-25



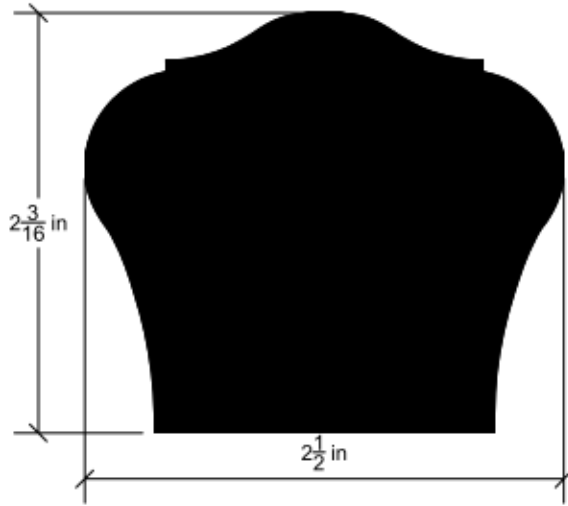
Rail-26



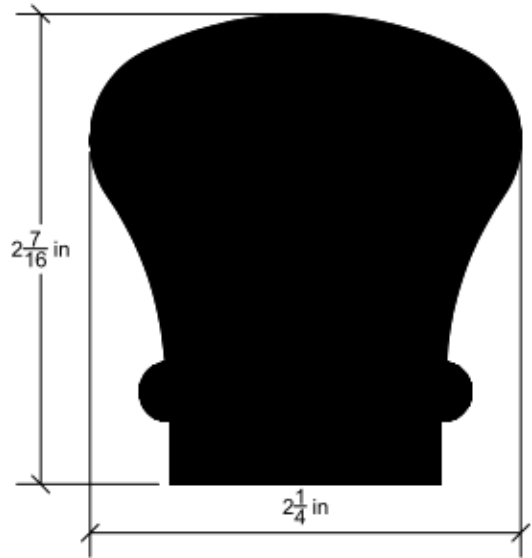




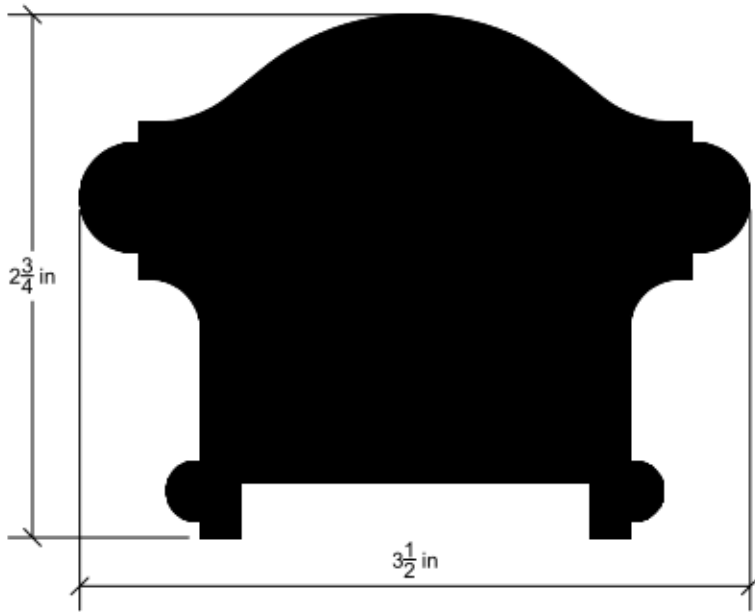
Rail-33



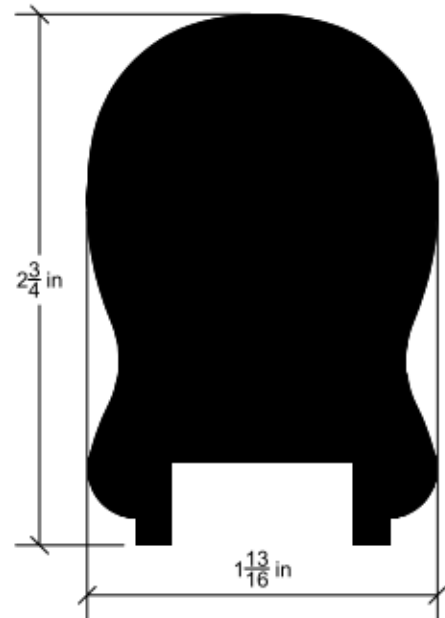
Rail-34



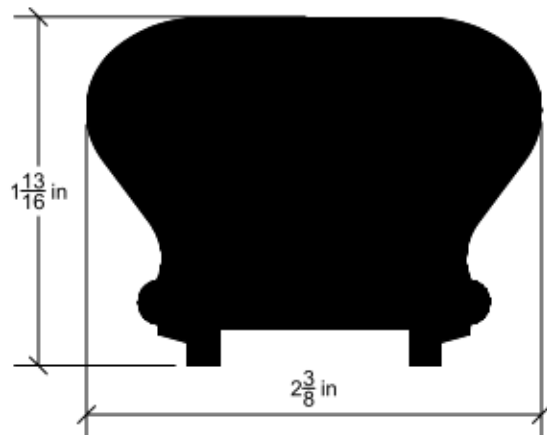
Rail-35



Rail-36



Rail-37



Rail-38

